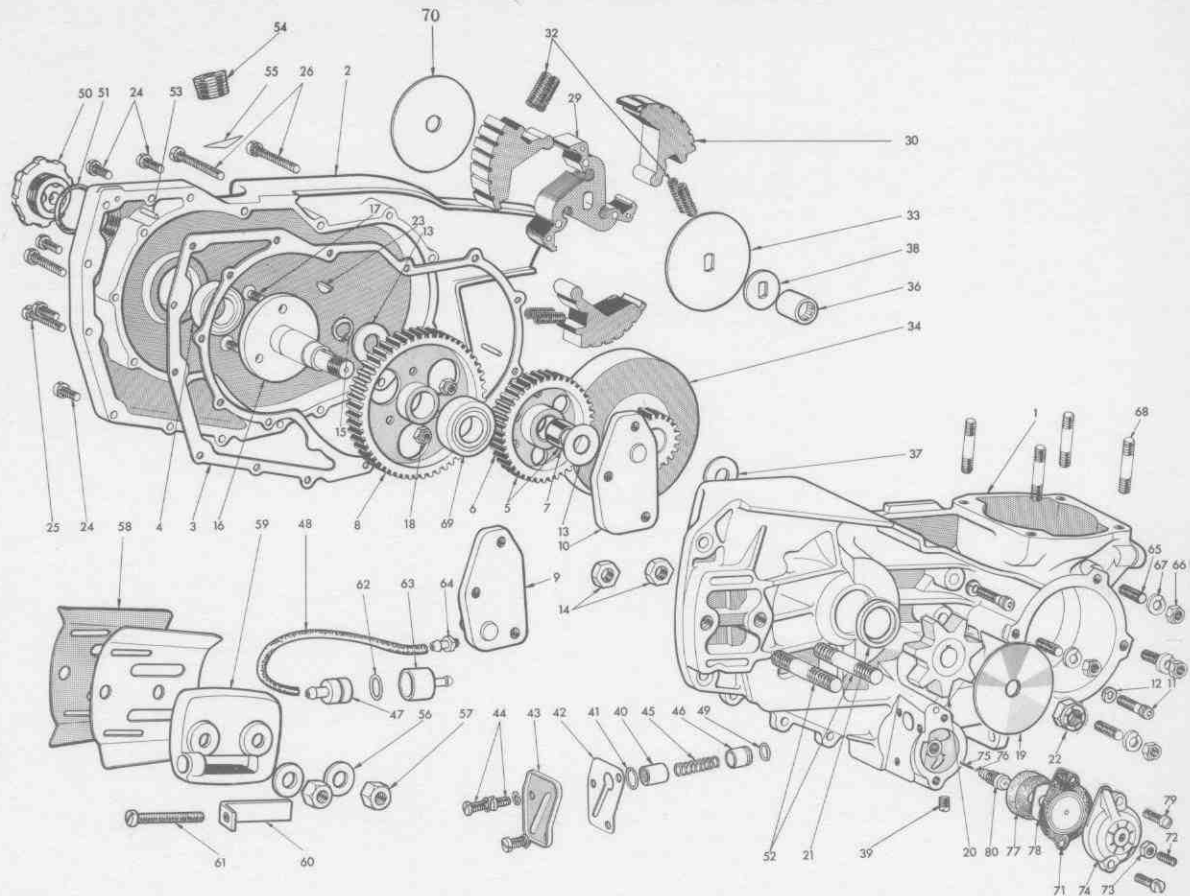


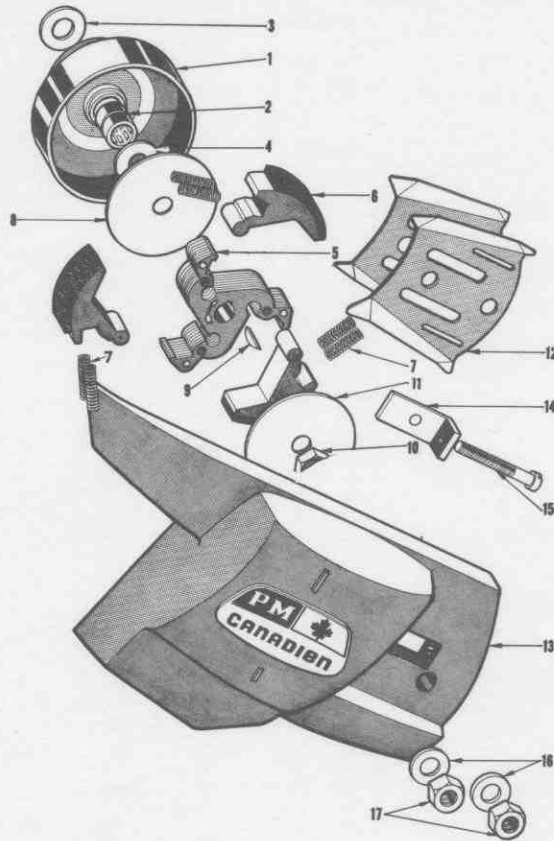
SECTION I, PART III MODEL 276 GEAR-DRIVE



REF. NO.	PART NO.	DESCRIPTION	REF. NO.	PART NO.	DESCRIPTION
1	276602	Crankcase	43	276254	Oil Valve Cover Plate
2	276019	Gear Box Cover	44	725810	Screw - Valve Plate to Cover (3 used)
3	276021	Gasket - Crankcase to Cover	45	16513	Piston Spring
4	271020	Bearing - Sprocket to Cover	46	270260	Oil Pump Piston
5	271615	Idler Gear Assembly	47	276629	Oil Pick-Up Head Assembly
6	22140	41 Tooth Idler Gear	48	276270	Oil Pick-Up Hose
7	270355	Idler Gear Bearing	49	16061	Oiler Piston 'O' Ring
8	22141	57 Tooth Gear	50	275638	Oiler Filler Cap Assembly
9	276677	Idler Plate Assembly (3:1)	51	271258	Oiler Filler Cap Gasket
10	276678	Idler Plate Assembly (2:1)	52	276013	Bar Stud (2 used)
11	762064	Screw - Gear Mounting Plate (3 used)	53	275040	Dowel (2 used)
12	854214	Washer - ¼ Heavy Duty Spring Lock (3 used)	54	22121	Gear Oil Filler Plug
13	276144	Thrust Washer - Idler Bearing (2 used)	55	271204	Gear Box Decal
14	850116	Jam Nut - Bar Stud (2 used)	56	855916	Bar Stud Washer (2 used)
15	276146	Truarc Clip	57	850066	Bar Stud Nut (2 used)
16	276034	Sprocket Shaft	58	21123	Guide Plate (2 used)
17	750664	Screw - Sprocket Shaft to Gear (3 used)	59	271666	Guide Bar Pad Assembly
18	850464	Nut - Sprocket Shaft to Gear (3 used)	60	270649	Chain Adjuster Assembly
19	271349	Side Plate	61	737814	Chain Adjuster Screw
20	22117 A	½" Sprocket - 7 Teeth	62	276275	'O' Ring
21	271036	Sprocket Shaft Seal	63	270633	Oil Pick-Up (Outer)
22	850468	Nut - Sprocket Shaft	64	271627	Oil Pick-Up Connector
23	856505	Key - Sprocket	65	270009	Stud-Stator Back (4 used)
24	726810-c	Screw - Gear Box Cover to C/Case 1 1/8" Long (8 used)	66	850064	Nut-Stator Back Plate (4 used)
25	727210	Screw - Gear Box Cover to C/Case 1 3/8" Long (8 used)	67	854214	Washer ¼ Springlock (4 used)
26	728210-c	Screw - Gear Box Cover to C/Case 2" Long (4 used)	68	275023	Stud - Cyl. Base 2 Fr. 2 Rear (4 used)
28	276672	Clutch Assembly	69	271018	Driveshaft Bearing
29	275643	Clutch Driver Assembly	70	270364	Side Plate Outer
30	276654	Clutch Shoe Assembly (3 used)	71	275613	Piston Assembly
32	276363	Clutch Spring (6 used)	72	*781260	Adjusting Screw
33	276364	Clutch Side Plate	73	*880260	Lock Nut
34	276645	Clutch Drum Assembly with Bearing	74	*275611	Cover Assembly
36	270353	Bearing (1 used)	75	270284	Spring
37	19029	Inside Thrust Washer	76	271267	Ball
38	276378	Outside Thrust Washer	77	270286	Filter
39	780410	Set Screw	78	276287	Filter Retainer
40	271636	Oiler Cartridge Assembly	79	725810	Screw (2 used)
41	16061	'O' Ring - Cartridge	80	276285	Sleeve
42	276252	Valve Plate Gasket	81	276165	Sawdust Guard
			82	276079	Gasket (2 used)

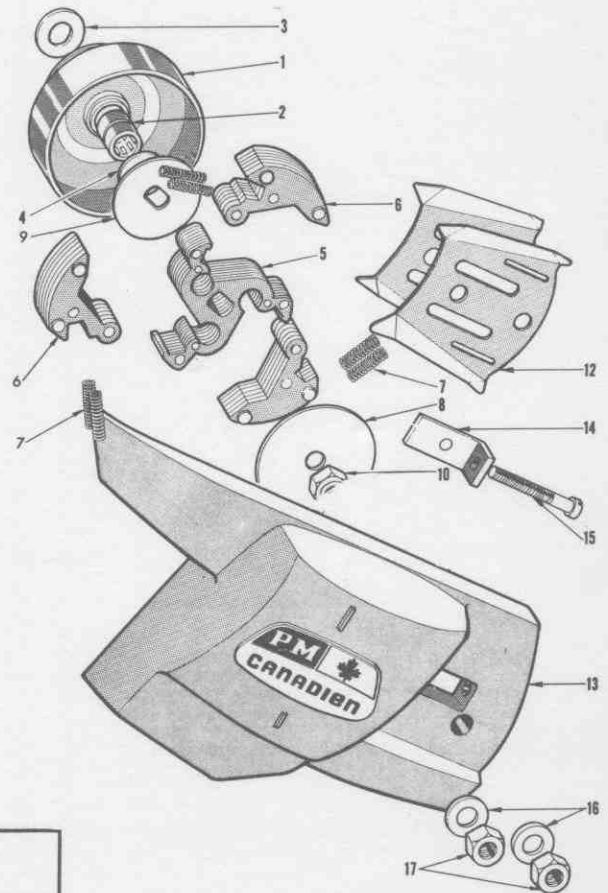
NOTE: Refer to Page I-11 Section 1 Part II — Engine for Model 276 The following differences on Page L4 Fuel System.
MUST BE NOTED: Item 26 should read 276329; Item 31 should read one 701664 and one 705664 and Item 34 should read 276330.

MODEL 175, 270 AND 275 (KEYED DRIVE) CLUTCH



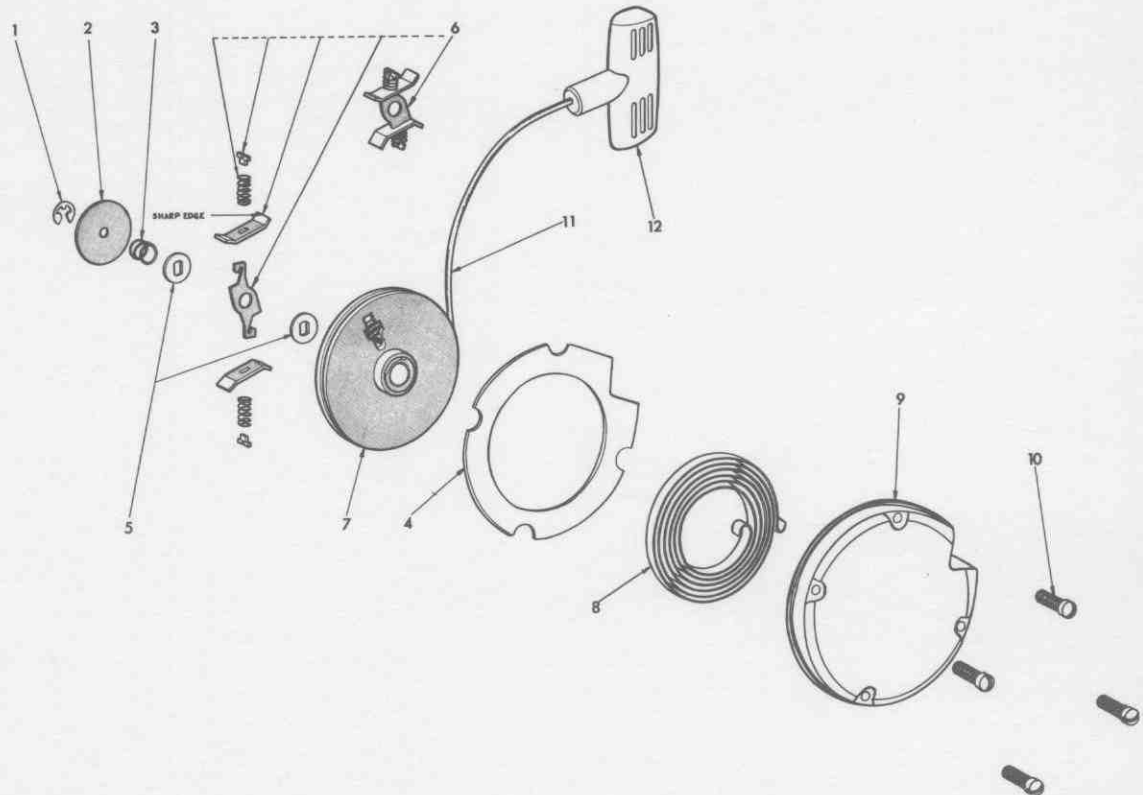
REF. NO.	PART NO.	DESCRIPTION
1	270645	7 Tooth Sprocket (drum & bearing)
	270653	8 Tooth Sprocket (drum & bearing)
2	270348	Sprocket Bearing (2 used)
3	19029	Thrust Washer
4	19035	Thrust Washer
	175647	Clutch Assy. (includes *)
5	*275643	Clutch Driver
6	*275654	Clutch Shoe Assembly (3 used)
7	*270363	Spring (6 used)
8	*270364	Side Plate
9	856405	Clutch Key
10	850467LC	Crankshaft Nut
11	275364	Clutch Cover
12	21123	Guide Plate (2 used)
13	270648	Chain Cover Assy. (includes **)
14	**270649	Chain Tensioner Assembly
15	**737814S	Chain Tensioner Screw
16	855916C	Bar Washer (2 used)
17	850066C	Bar Nut (2 used)

MODEL 270 AND 275 (FLATTED DRIVE) CLUTCH



REF. NO.	PART NO.	DESCRIPTION
1	270645 270653	7 Tooth Sprocket (drum & bearing) 8 Tooth Sprocket (drum & bearing)
2	270348	Sprocket Bearing (2 used)
3	19029	Thrust Washer
4	276378 275672	Thrust Washer Clutch Assy. (includes *)
5	*276643	Clutch Driver
6	*275654	Clutch Shoe Assembly (3 used)
7	*270363	Spring (6 used)
8	*275364	Side Plate
9	276364	Side Plate
10	850467LC	Crankshaft Nut
12	21123	Guide Plate (2 used)
13	270648	Chain Cover Assy. (includes **)
14	**270649	Chain Tensioner Assembly
15	**737814S	Chain Tensioner Screw
16	276381	Bar Washer (2 used)
17	850066	Bar Nut (2 used)

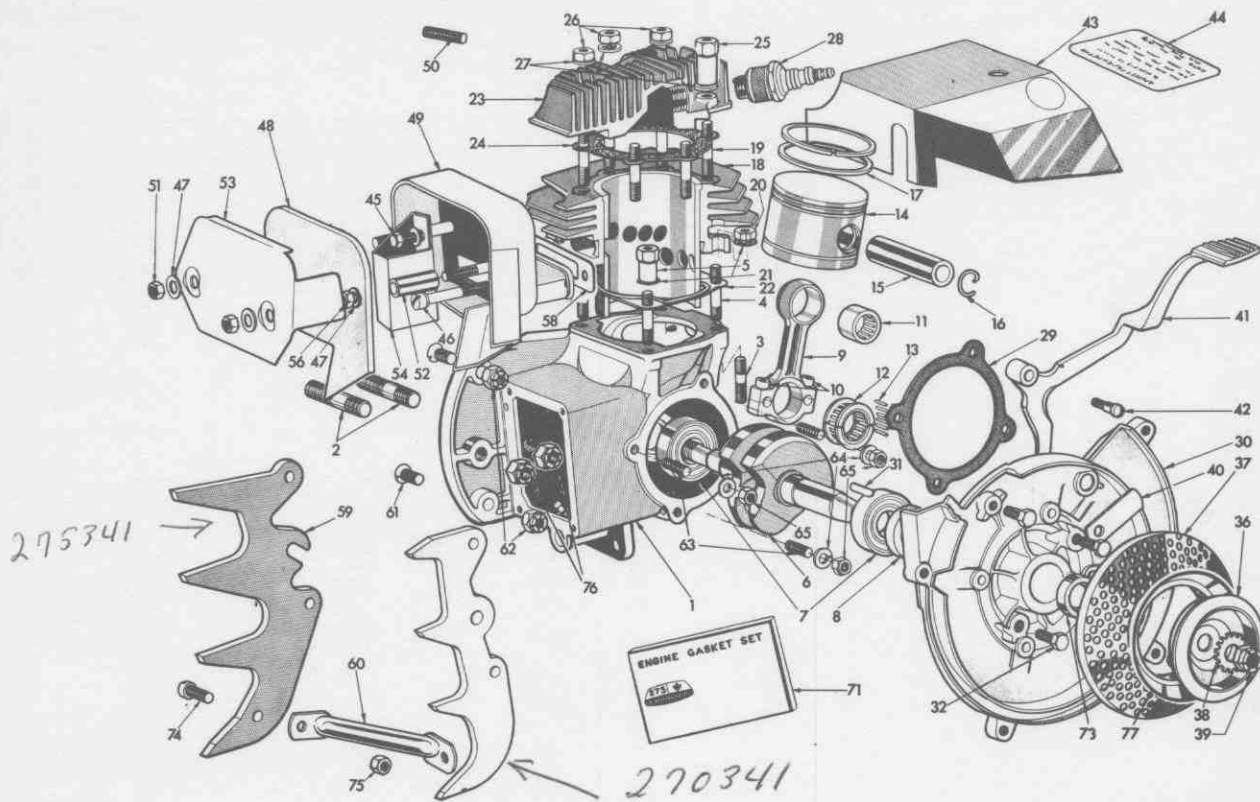
MODEL 275 AND 276 STARTER



REF. NO.	PART NO.	DESCRIPTION
	275620	Starter Complete
1	29-3	Retainer Ring
2	27-8	Brake Retainer Washer
3	20-3	Brake Spring
4	275225	Spring Shield
5	27-80	Fiber Washer (2 used)
6	111-171	Replacement Pawl Assembly
7	13-15	Rotor
8	20-35	Rewind Spring
9	151-180	Cover
10	726614	Cover Screw (4 used)
11	140-6	Starter Cord
12	144-20	"T" Handle

SECTION I, PART I

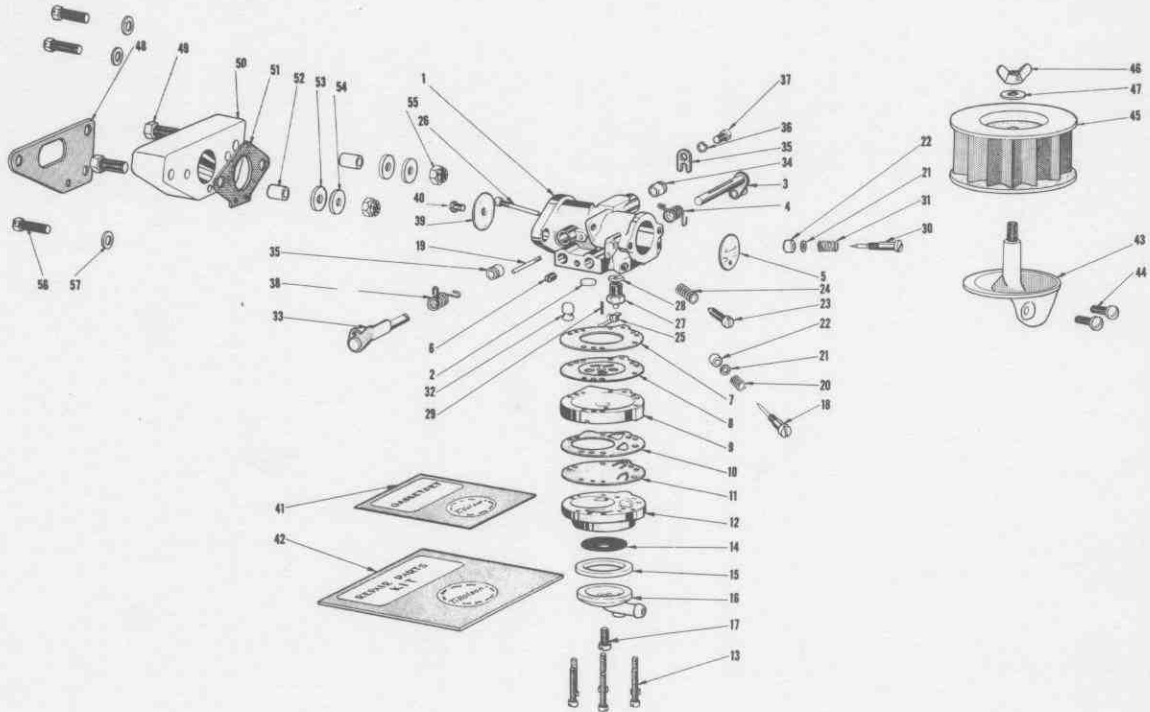
MODEL 275 AND 276 ENGINE



REF. NO.	PART NO.	DESCRIPTION	REF. NO.	PART NO.	DESCRIPTION
1	275602	Crankcase Assembly (includes*)	40	275076	Retainer
2	*271013	Bar Stud (2 used)	41	270290	Oiler Lever
3	*270010	Tank Stud (2 used)	42	270291	Pivot Screw
4	*275023	Cylinder Block Stud (4 used)	43	275618	Inner Shroud
5	270073	Cylinder Base Nut (front) (2 used)	44	270307	Instruction Decal
6	276025	Crankshaft	45	735814SC	Exhaust Body Screw
7	270030	Main Bearing (2 used)	46	737814	Exhaust Tube Screw (2 used)
8	270033	Crankshaft Seal (2 used)	47	275069	Washer (2 used)
9	275606	Con Rod Assembly (includes **)	48	275136	Exhaust Manifold Cover
10	**761060	Con Rod Cap Screw (2 used)	49	275617	Exhaust Manifold Body
11	**275041	Con Rod Small End Bearing	50	270038	Stud Brace to Head
12	275605	Con Rod Big End Brg. c/w Needles	51	850164	Exhaust Front Cover Nut (2 used)
13	275040	Con Rod Big End Needle (12 used)	52	275141	Spacer Tube (2 used)
14	275045	Piston	53	275134	Exhaust Outer Cover
15	21017	Wrist Pin	54	275133	Exhaust Baffle
16	270047	Wrist Pin Retainer Clip (2 used)	56	850064C	Nut (2 used)
17	275050	Piston Ring (2 used)	58	275140	Exhaust Gasket
18	275612	Cylinder Block Assy. (c/w studs)	59	270341	Bucking Spike (up to 30" Bar)
19	275009	Cylinder Head Stud (6 used)		275341	Bucking Spike (30" and over Bar)
20	270059	Cylinder Base Nut (2 used)Rear	60	275333	Bucking Spike Brace
21	854114	Cylinder Base Washer (4 used)	61	741464	Bucking Spike Screws (2 used)
22	275058	Cylinder Base Gasket	62	850364C	Bucking Spike Nut (2 used)
23	275070	Cylinder Head	63	*270009	Crankcase Studs (4 used)
24	275071	Head Gasket	64	854214	Washers (4 used)
25	270073	Cylinder Head Nut (Special)	65	850064C	Nuts (4 used)
26	850064C	Cylinder Head Nut (5 used)	71	275710	Engine Gasket Set
27	275069	Cylinder Head Washer (6 used)	73	275078	Seal, Crankshaft to Stator
28	10252	Spark Plug			Backing Plate
29	275074	Stator Backing Plate Gasket	74	701264	Screw, Bucking Spike to Brace
30	275075	Stator Backing Plate	75	850464	Nut, Bucking Spike Screw
31	21088	Rotor Key	76	850116	Bar Stud Nut (2 used)
32	706014EC	Stator Screws (3 used)	77	270128	Starter Cup Shield
36	270126	Starter Cup			
37	275127	Starter Screen			
38	854117	Starter Cup Washer			
39	850467LC	Crankshaft Nut			

NOTE: Refer to pages 1-17 SECTION I, PART III — GEARBOX for Model 276 differences.

MODEL 275 AND 276 CARBURETOR AND AIR FILTER

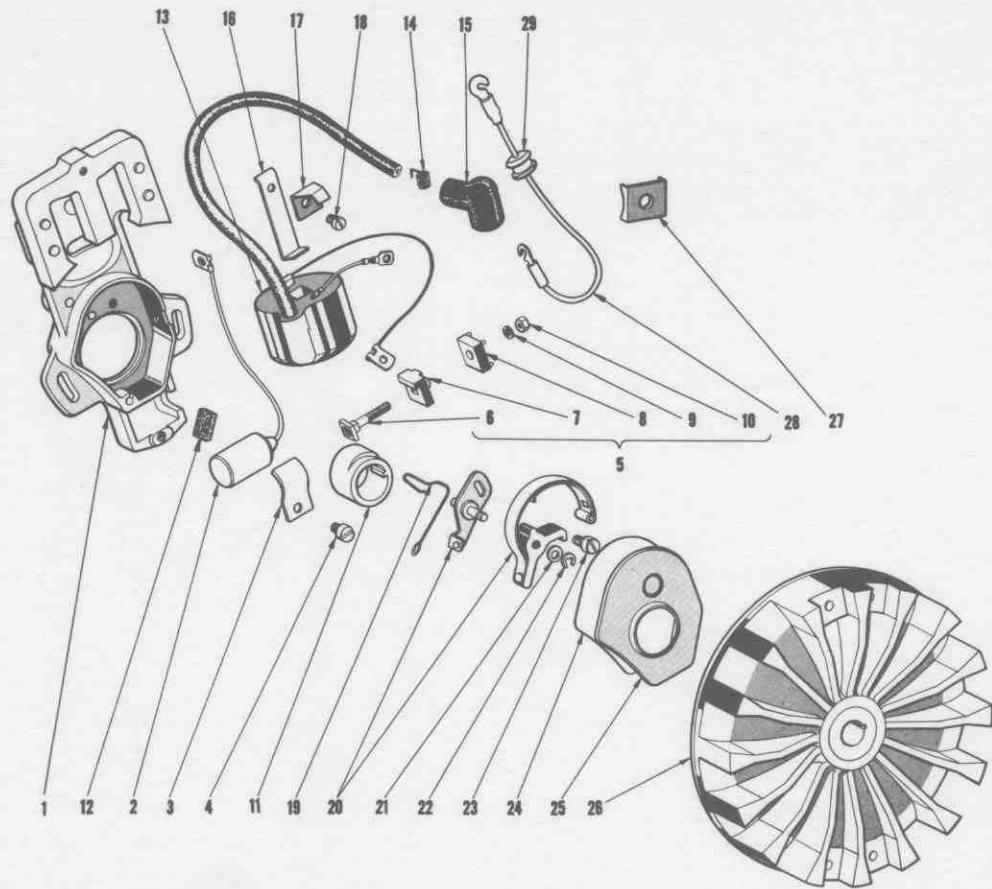


REF. NO.	PART NO.	DESCRIPTION	REF. NO.	PART NO.	DESCRIPTION
	275095	Carburetor Complete	30	011494	*Main Adjustment Screw
1	013190	Body Service	31	08793	*Main Adj. Screw Spring
2	02531	*Body Channel Welch Plug	32	012084	Nozzle Check Valve
3	012381	Choke Shaft & Lever	33	013188	Throttle Shaft & Lever
4	012383	Choke Shaft Return Spring	34	09780	Throttle Shaft Bushing (2 used)
5	011883	Choke Shutter	35	09678	Throttle Shaft Clip
6	02232	Diaphragm Chamber Drain Screw	36	0992	Throttle Shaft Clip Lockwasher
7	012473	Diaphragm Gasket	37	01974	Throttle Shaft Clip Ret. Screw
8	012475	*Diaphragm	38	012244	*Throttle Shaft Return Spring
9	010526	Diaphragm Cover	39	012089	Throttle Shutter
10	012930	Fuel Pump Gasket	40	08942	*Throttle Shutter Screw
11	012698	*Fuel Pump Diaphragm	41	GS155	*Gasket & Packing Set
12	010525	Fuel Pump Body	42	RK-473	Repair Parts Kit
13	010098	Fuel Pump Body Screw & Lockwasher (6 used)	43	275623	Air Filter Adapter (c/w Stud)
14	010530	*Fuel Strainer Screen	44	716460	Adaptor Screw (2 used)
15	010529	Fuel Strainer Cover Gasket	45	270624	Air Filter Element (Standard)
16	010527	Fuel Strainer Cover		270625	Air Filter Element (Special)
17	010571	*Fuel Strainer Cover Ret. Screw	46	853910C	Cover Wing Nut
18	011716A	*Idle Adj. Screw	47	271214	Air Filter Washer
19	010776	Spring Anchor Pin	48	275097	Carb. Heat Damper Gasket
20	08793	*Idle Adj. Screw Spring	49	701764	Carburetor Screw (2 used)
21	011428	Idle Adj. Screw Washer	50	275096	Carburetor Heat Damper
22	011401	Idle Adj. Screw Packing	51	275098	Carburetor Gasket
23	05095	*Idle Speed Regulating Screw	52	270028	Carb. Insulating Sleeve (2 used)
24	0788	*Idle Speed Regulating Screw Spring	53	270026	Carb. Fibre Washer (2 used)
25	010513	*Inlet Control Lever	54	270027	Carburetor Washer (2 used)
26	010581	*Inlet Control Lever Pinion Screw	55	270059	Carburetor Jam Nut (2 used)
27	013565	*Inlet Needle, Seat & Gasket	56	702014	Insulator Screw (3 used)
28	010165	Inlet Seat Gasket	57	275069	Carburetor Washer (3 used)
29	011503	*Inlet Tension Spring	58	012910	Diaphragm & Gasket Set
					(*) Indicates contents of Repair Parts Kit

(*) FROM SN 275 - 07747 & UP USE GASKET & PACKING SET GS155
 276 - 01997

(* *) FROM SN 275 - 07747 & UP USE REPAIR PARTS KIT RK734
 276 - 01997

MODEL 275 AND 276 MAGNETO



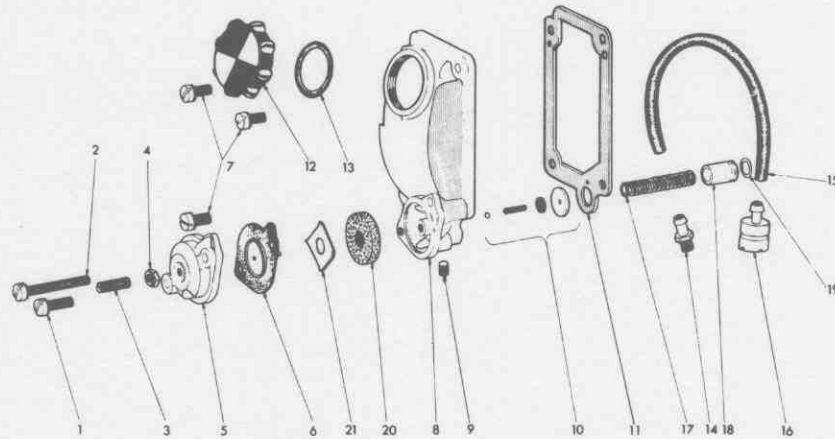
REF. NO.	PART NO.	DESCRIPTION
1	275601	Magneto Assembly Complete
	X14283	Stator Assembly Comp. (includes *)
	X14282	Stator Plate Group (plate & coil core only)
2	*X13299	Condenser Group
3	*8854	Condenser Clamp
4	*5411	Condenser Clamp Screw Assembly
5	X13344	Terminal Connection Unit
6	*13312	Connection Stud
7	*13309	Connection Stud Insulator
8	11785	Terminal
9	*M-90X	Ground Lead Clamp Nut Lockwasher
10	*11015	Ground Lead Clamp Nut
11	13301	Breaker Cam
12	*14609	Cam Wiper Felt
13	X14276	Coil Group
14	*8824	Terminal Spring
15	*8825	Terminal Spring Cover
16	*13303	Coil Wedge Spring
17	275088	H. T. Wire Clip
18	11686	Coil Grounding Screw
19	*11024	Breaker Box Cover Spring
20	*X16174	Breaker Point Set
21	10407	Thrust Washer
22	6388	Breaker Arm Pivot Retainer Ring
23	*5900	Fixed Contact Clamp Screw Assy.
24	*13305	Gasket
25	*13304	Cover
26	276658	Rotor
27	275087	Primary Wire Clip
28	X12988	Switch Wire
29	270081	Grommet

Points - .015"

Plug - .025"

Timing - 35° advance

MODEL 275 OIL PUMPS



Ref. No.	Part No.	Description
1	**725810	Diaphragm Cover Screw (short)
2	**727810	Diaphragm Cover screw (long)
3	*781260	Adjusting Screw
4	*850260	Lock Nut
5	**275611	Diaphragm Cover Assy. (includes *)
6	**275613	Oiler Piston and Diaphragm Assy.
7	725810	Cover Screw (3 used)
8	275622	Oil Tank Cover Assy. (includes **)
9	**780410	Set Screw
10	**275718	Oiler Valve Repair Kit
11	275246	Gasket
12	275638	Oiler Filler Cap Assembly
13	271258	Oiler Filler Cap Gasket
14	271627	Oil Pick-up Connector
15	270270	Oil Pick-up Hose
16	271629	Oil Pick-up Head Assembly
17	16513	Oiler Spring
18	270260	Oiler Piston
19	16061	'O' Ring
20	270286	Filter
21	270287	Retainer
22	276079	Gasket (2 used)