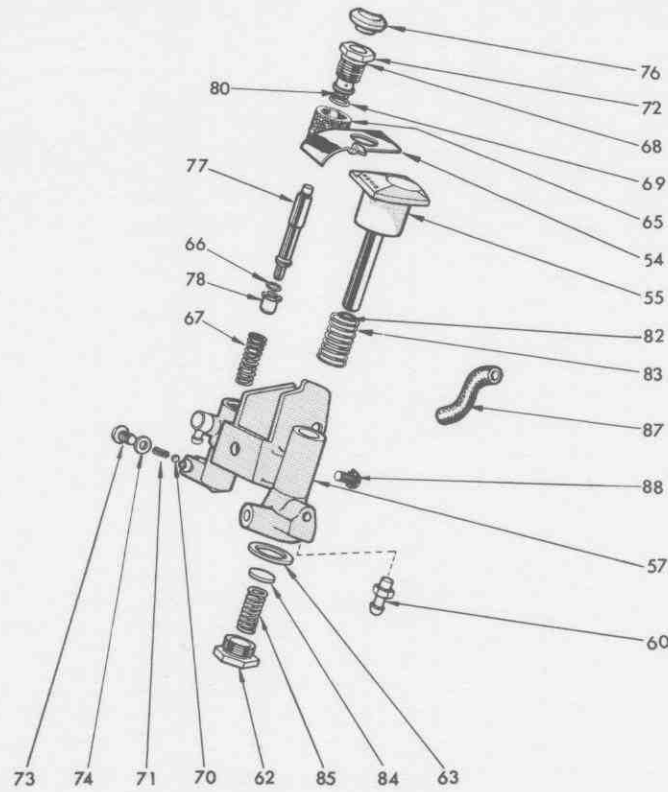
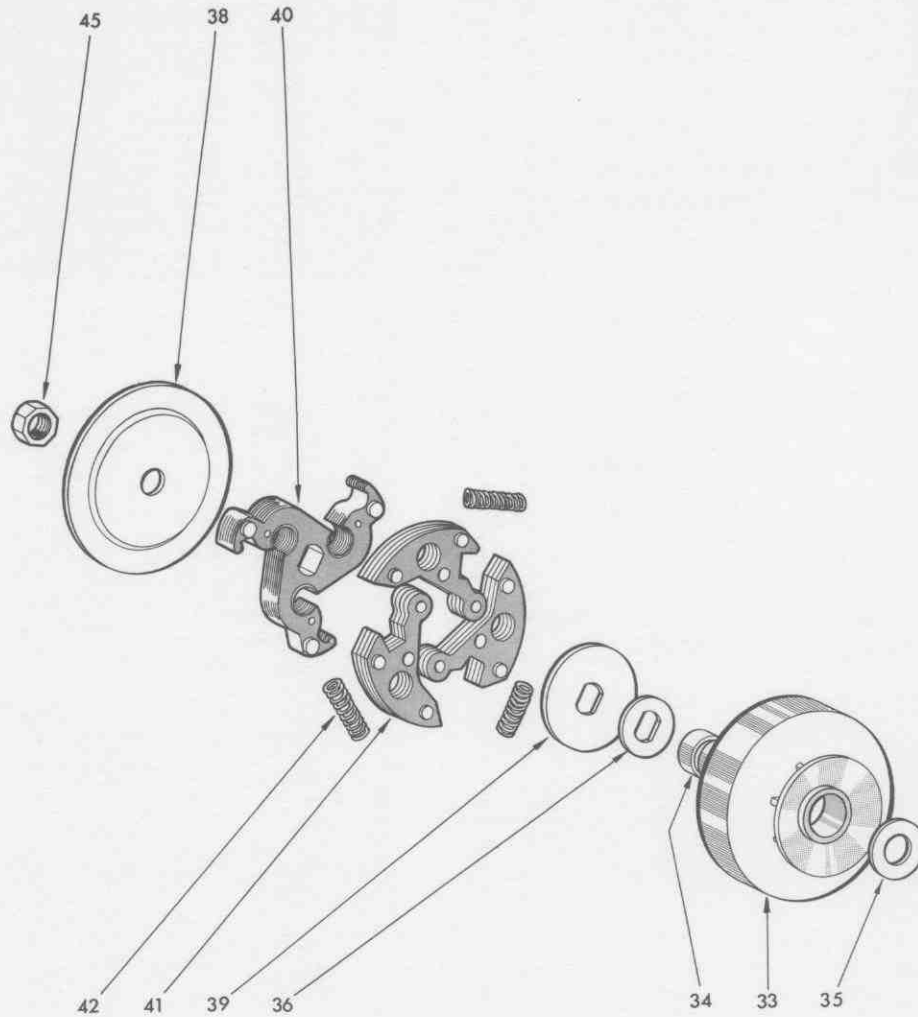


MODEL 177 OIL PUMP AND FUEL PRIMER



Ref. No.	Part No.	Description	Ref. No.	Part No.	Description
54	177269	Oiler Button Stop	78		† Primer Piston Cap
55	177613	Oiler Piston Assembly	73		† Screw
			74		† Primer Plug Washer
			75	177761	Primer Piston Assembly (includes ††)
57	177192	*Oiler & Primer Body	76		†† Primer Push Button
58			77		†† Primer Piston
59			72		†† Primer End Cap
60	271627	Oil Pickup Connector	78		†† Primer Piston Cap
61			65		†† Primer Dust Seal
62	177255	Oiler End Cap	80		†† "O" Ring
63			81	177762	Oil Pump Repair Kit (includes **)
64	177763	Fuel Primer Repair Kit (includes †)	82		** "O" Ring
65		† Primer Dust Seal	83		** Return Spring
66		† "O" Ring 11/32" dia.	84		** Valve Disc
67		† Primer Piston Return Spring	85		** Valve Spring
68		† "O" Ring 1/2" dia.	63		** End Cap Gasket
69		† "O" Ring 3/8" dia.	87	177179	Primer Delivery Line
70		† Steel Ball	88	720410	Screw 10 — 24 x 1/4" Pan
71		† Valve Spring	89	854110	Washer Shake Proof

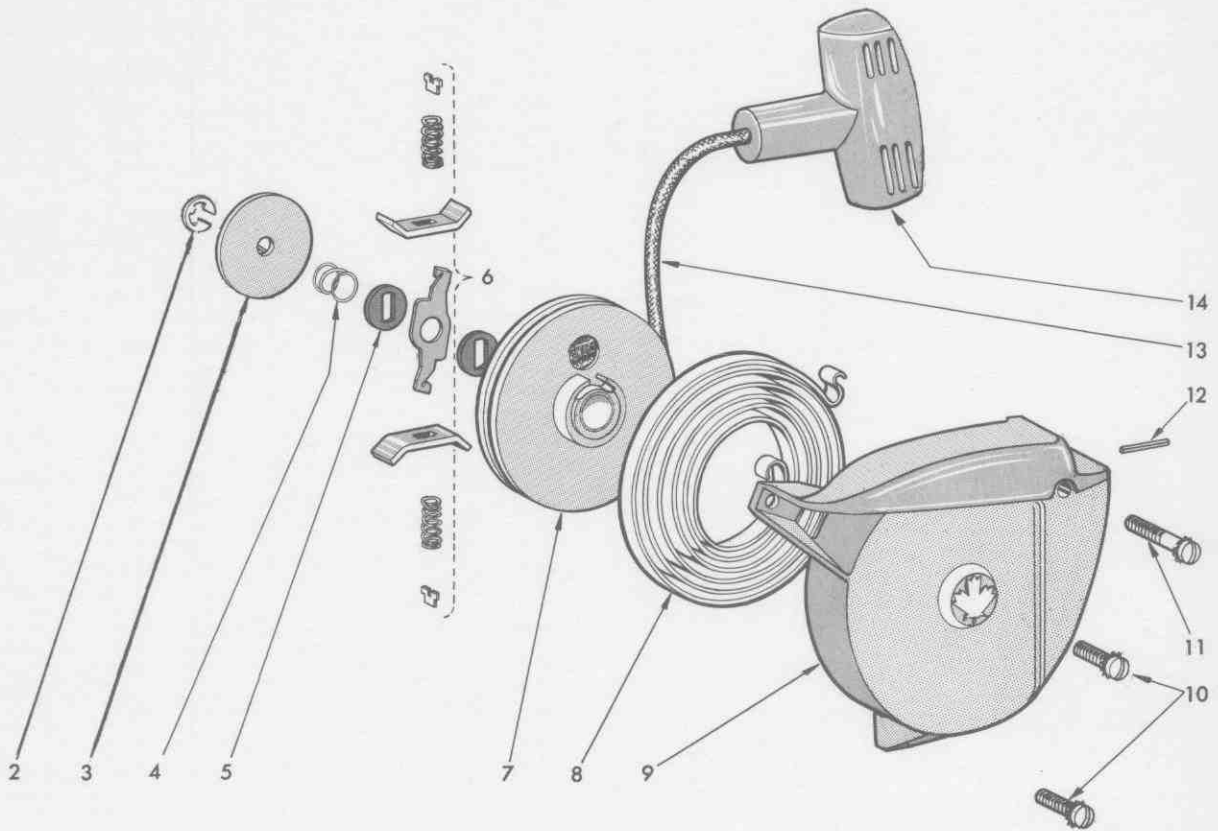
MODEL 177 CLUTCH



Ref. No.	Part No.	Description
33	177651	8 Tooth $\frac{3}{8}$ Pitch Sprocket & Drum Assy. c/w Bearing
34	270348	Sprocket Bearing (2 used)
35	19029	Thrust Washer (inside)
36	276378	Thrust Washer (outside)
37	177647	Clutch Assembly (includes ‡)
38	275364	Clutch Side Plate (outer)
39	276364	Clutch Side Plate (inner)
40	177643	‡Clutch Driver
41	177654	‡Clutch Shoe (3 used)
42	276363	‡Clutch Spring (3 used)
45	850467	Crankshaft Nut LH THD(2 used)

NOTE: Part No. 177645 7 Tooth available for .404 Pitch Chain

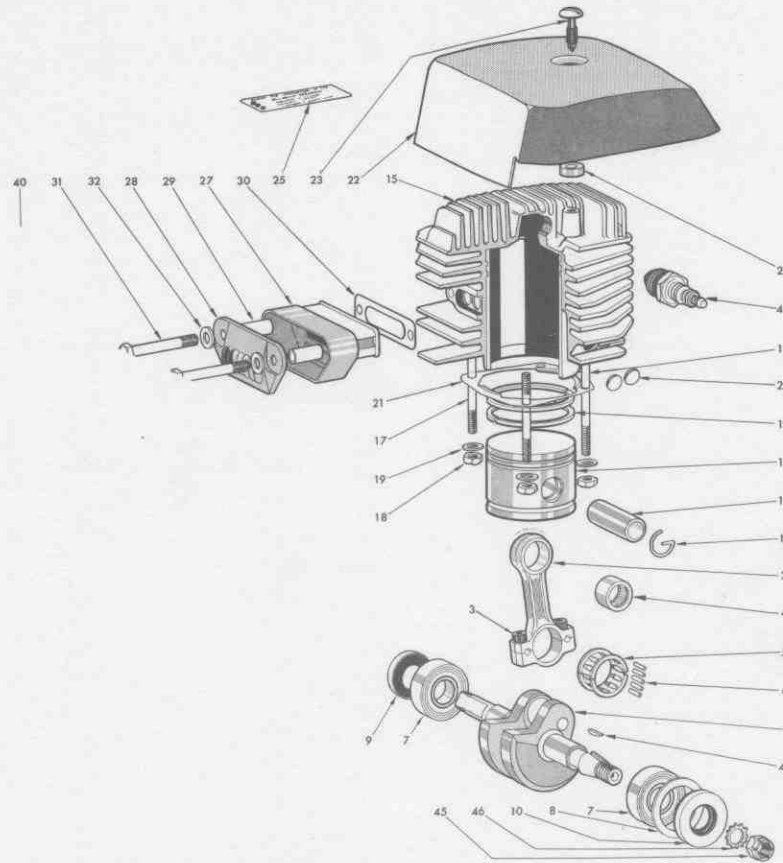
MODEL 177 STARTER



Ref. No.	Part No.	Description
2	29-3	Retaining Ring
3	27-8	Brake Retainer Washer
4	20-3	Brake Spring
5	27-80	Brake Washer (Fibre) (2 used)
6	111-171	Replacement Pawl Assembly
7	13-15	Rotor
8	20-35	Rewind Spring
9	177675	Starter Housing
10	726210	Housing Screw, Short, 10-24 x 3/4" (2 used)
11	727410	Housing Screw Long, 10-24 x 1 1/2"
12	51-206	Roll Pin
13	140-6	Starter Cord
14	144-20	"T" Handle Assembly

SECTION I, PART II

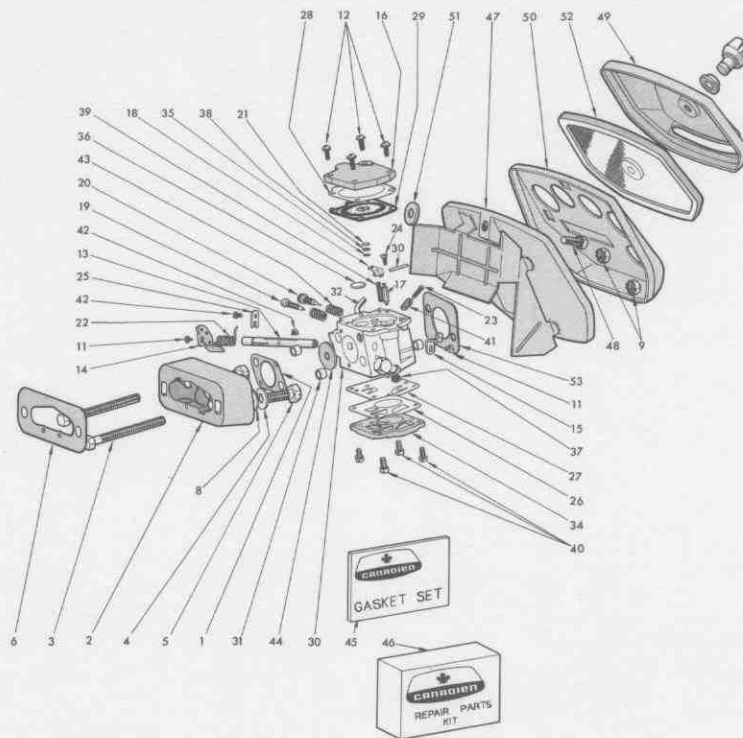
MODEL 177 ENGINE



Ref. No.	Part No.	Description	Ref. No.	Part No.	Description
1	177025	Crankshaft	24	270312	**Screw Retainer
2	275606	Con. Rod Assembly (includes *)	25	177307	Instruction Decal
3	761060	*Con. Rod Screw (2 used)	27	177617	Muffler Body
4	275041	*Wrist Pin Bearing	28	177136	Muffler Front Cover
5	275605	*Con. Rod Big End Brg. (c/w needles & cage)	29	177141	Muffler Spacer Tubes (2 used)
6	275040	Big End Needle (12 used)	30	177140	Muffler Gasket
7	270030	Main Bearing (2 used)	31	703414	Muffler Mounting Screw 1/4" — 20 x 2 1/8" (2 used)
8	177166	Bearing Retainer Ring	32	275069	Washer 1/4" Flat (2 used)
9	270033	Seal(Clutch Side)	43	856303	Magneto Rotor Key
10	177032	Seal (Magneto Side)	44	10252	Spark Plug
11	21017	Wrist Pin	45	850467	Crankshaft Nut LH THD(2 used)
12	270047	Wrist Pin Clips (2 used)	46	854117	Washer
13	270045	Piston	47	177710	Engine Gasket Set (includes)
14	270050	Piston Rings (2 used)			Crankcase Joint Seal (2 used)
15	177612	Cylinder Block Assy. Complete with Studs (includes ††)			Cylinder Base Gasket
16	177023	††Stud (Long Back) (2 used)			Muffler Gasket
17	177037	††Stud (Short Front) (2 used)			Fuel Tank Grommet (4 used)
18	850064	Nut 1/4" — 28 Hex. (4 used)			Fuel Tank Damper
19	275069	Washer (4 used)			Gasket (Carburetor to Insulator)
20	177061	††Welch Plug (4 used)			Gasket (Insulator to Cylinder)
21	177058	Cyl. Base Gasket			Gasket (Carburetor to Air Filter)
22	177640	Outer Shroud Assy. (includes **)			
23	177301	**Screw (Shroud)			

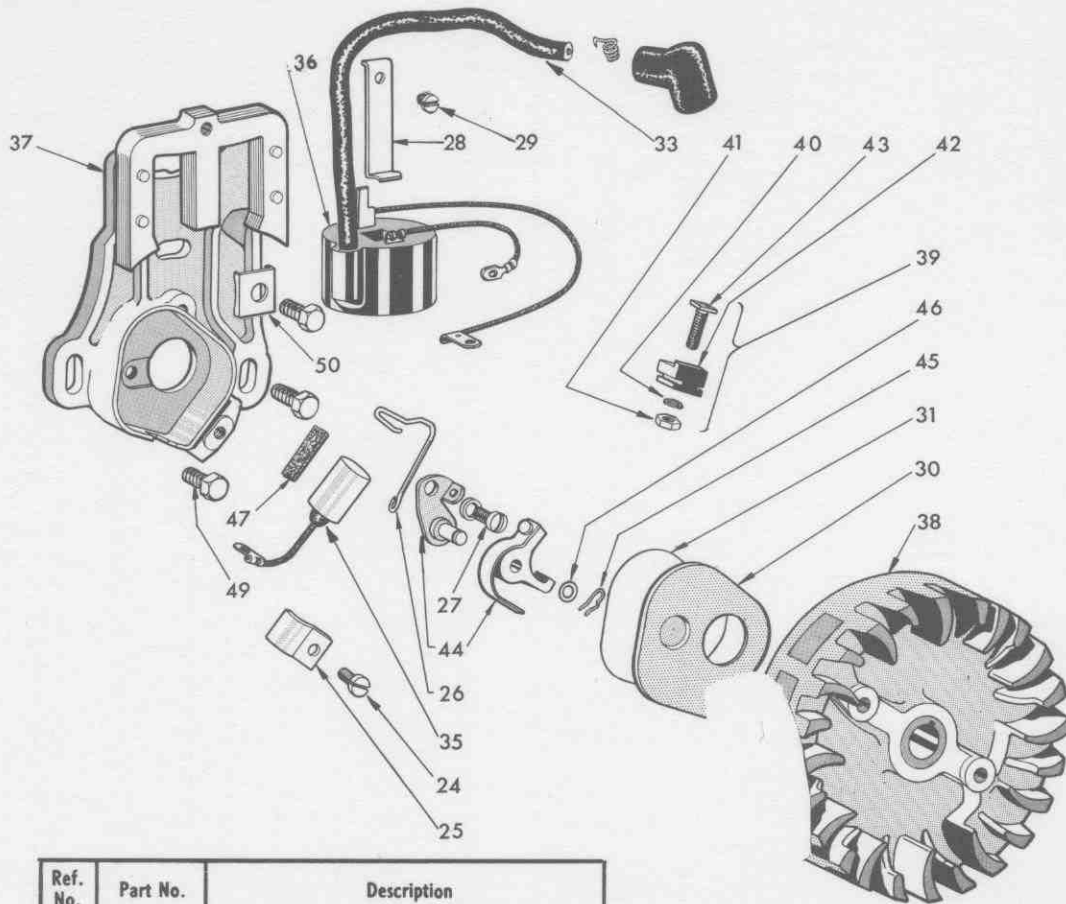
NOTE: Refer to SECTION L page L6 require following to complete Engine # 1, 2, 3, 4, 6

MODEL 177 CARBURETOR AND AIR FILTER



Ref. No.	Part No.	Description	Ref. No.	Part No.	Description
1	177098	Gasket (Carb.)	28	013215	Diaphragm Metering Gasket
2	177096	Insulator Block	29	013278	Metering Diaphragm Assembly
3	703860	Screw 10-32 x 2 $\frac{3}{8}$ " Hex. (2 used)	30	†177095	Carburetor
4	270027	Washer Insulator Block Screw (2 used)	31	†177028	Insulator Sleeve (4 used)
5	702014	Screw Insulator Block $\frac{1}{4}$ x 20 x 1 $\frac{1}{4}$ " Hex. Hd. (2 used)	32	†177093	Carburetor Nozzle (Primer)
6	177097	Gasket Insulator Block	33	013210	Fulcrum Pin
7			34	013167	Pump Cover
8	270026	Washer (Fibre) Insulator Block Screw (2 used)	35	012884	Screen
9	850260	Nut 10 - 32 Keps (2 used)	36	012809	Welch Plug
10	177695	Carburetor (includes†)	37	012727	Screen
11	013849	Screw Throttle Shaft (2 used)	38	012345	Retaining Ring
12	013846	Screw Metering Diaphragm Cover (4 used)	39	011503	Tension Spring
13	013845	Throttle Shaft	40	011441	Screw (4 used)
14	013844	Throttle Lever Stop	41	011431	Idle Speed Spring
15	013843	Throttle Lever	42	010280	Screw (2 used)
16	013708	Diaphragm Cover	43	08793	Adjusting Screw Spring (2 used)
17	013396	Inlet Needle	44	04119	Throttle Shutter
18	013395	Inlet Valve Control Lever	45	GS174	Gasket Set
19	013376	Idle Adjustment Screw	46	RK668	Repair Parts Kit
20	013374	Main Adjustment Screw	47	177751	Air Filter Base Plate
21	013372	Welch Plug	48	725814	Screw Filter to Cyl. Head $\frac{1}{4}$ "-20 x $\frac{1}{2}$ " Pan
22	013297	Throttle Return Spring	49	177752	Air Filter Cover Assembly
23	013270	Idle Speed Regulating Screw	50	177173	Air Flow Distributor
24	013269	Screw	51	270026	Fibre Washer
25	013219	Throttle Shaft Clip	52	177624	Air Filter Element
26	013218	Fuel Pump Gasket	53	177079	Gasket (Carb. to Air Filter)
27	013652	Fuel Pump Diaphragm			

MODEL 177 MAGNETO



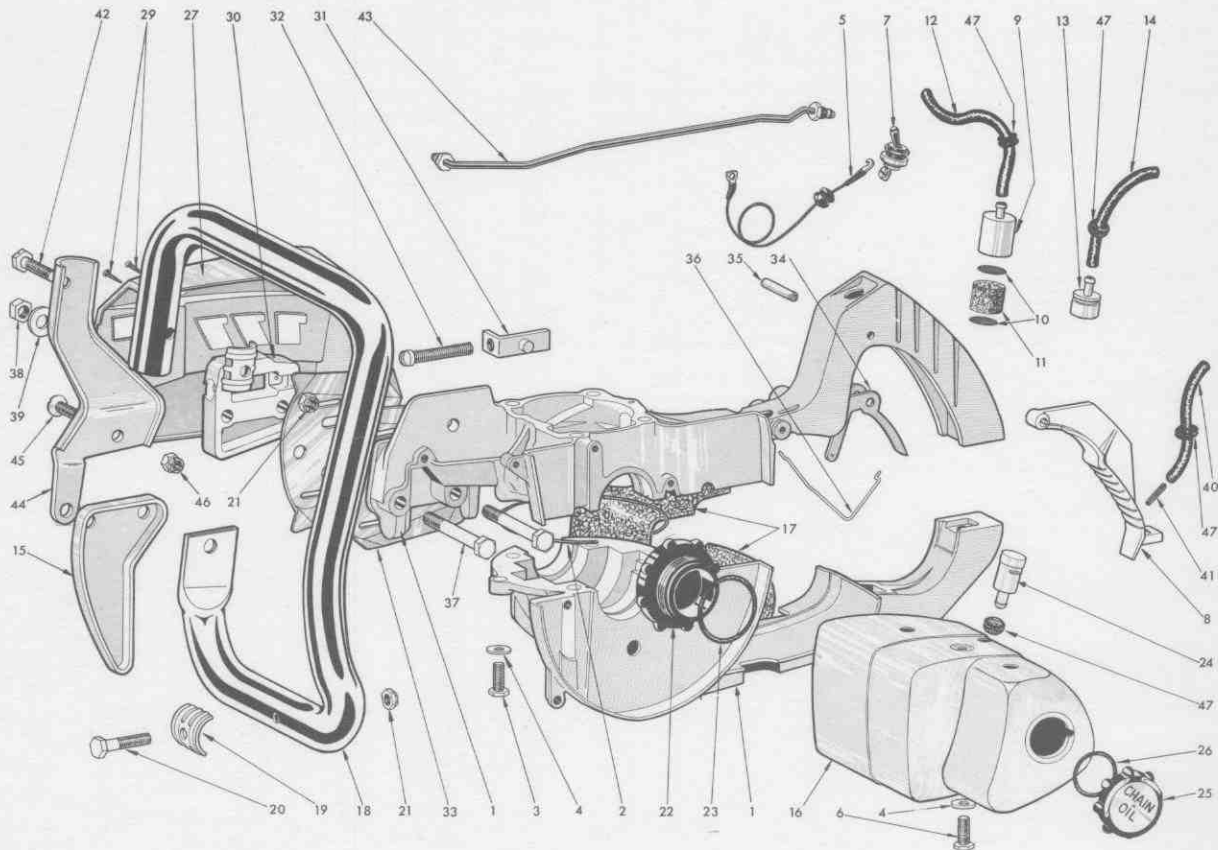
Ref. No.	Part No.	Description
22	177601	Magneto Assembly Complete
23	X16331	Stator Assembly Complete (includes *)
24	*5411	Condenser Clamp Screw Assy.
25	*8854	Condenser Clamp
26	*11024	Breaker Box Cover Spring
27	*11717	Fixed Contact Clamp Screw Assy.
28	*13303	Coil Wedge Spring
29	*13457	Coil Grounding Screw
30	*16389	Cover
31	*16388	Cover Gasket
32		
33	*16387	High Tension Lead (includes 8824 Terminal Spring & Cover)
34		
35	*X16410	Condenser Group
36	*X16330	Coil Assembly
37	*X16365	Stator Plate Group (Plate and Core only)
38	Y16325	Flywheel
39	*X14277	Terminal Connection Unit (includes †)
40	†M-90X	Connection Stud Nut Lock Washer
41	†11015	Connection Stud Nut
42	†13309	Connection Stud Insulator
43	†14175	Connection Stud
44	*X16191	Breaker Point Set (includes †)
45	†4210	Breaker Arm Lock
46	†10407	Thrust Washer
47	†14956	Cam Wiper Felt
48		
49	706010	Screw Stator/c/case 10-24 x 5/8" Hex. (3 used)
50	275087	Primary Wire Clip

Points - .015"

Plug - .025"

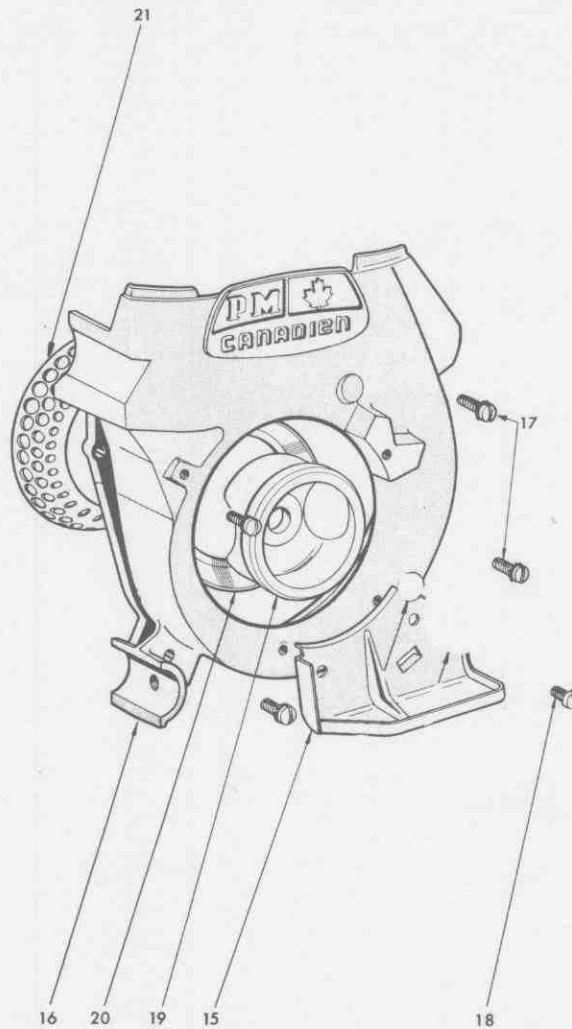
Timing - 35° advance

MODEL 177 FUEL SYSTEM



Ref. No.	Part No.	Description	Ref. No.	Part No.	Description
1	177602	Crankcase Assy. Complete (includes *)	24	177634	Tank Vent Assy.
2	177062	*C/case Joint Seal (2 used)	25	275638	Oil Cap
3	701414	*Mounting Bolt ¼ - 20 x ⅞"	26	271258	Oil Cap O-Ring -
4	275069	*Washer (2 used) (Front)	27	177648	Chain Cover (includes †)
5	x16395	Ground Lead	28	177380	†Chain Cover (Less Bar Pad)
6	702014	*Screw ¼ - 20 x 1¼" LG Hex Slotted (Rear)	29	275205	†Screw (Bar Pad to Cover) (2 used)
7	270238	Switch	30		
8	177169	Handle Grip	31	270649	Tensioner Assy. (includes ††)
9	177633	Fuel Pickup Assy. (includes **)	32	737814	††Chain Tensioner Screw
10	270208	**Fuel Pickup Screen (2 used)	33	177160	Guide Plates (2 used)
11	177286	**Fuel Pickup Felt	34	177230	Throttle Trigger
12	177206	Fuel Pickup Hose	35	175231	Trigger Hinge Pin
13	271629	Oil Pickup Head Assy.	36	177232	Throttle Link (2 used)
14	177270	Oil Pickup Hose	37	703665	Bolt Guide Bar ⅝ - 24 x 2¼
15	177344	Bumper Plate	38	850065	Nut Guide Bar ⅝" - 24 (2 used)
16	177740	Fuel Tank Assembly	39	855915	Washer Guide Bar Pad (2 used)
17	177224	Tank Mounting Damper	40	270206	Primer Pickup Line
18	177016	Front Handle Bar	41	177226	Primer Filter
19	21094	No Squash Washer (2 used)	42	702014	Screw ¼ - 20 x 1½"
20	702414	Screw ¼ - 20 x ⅞"	43	177745	Oil Delivery Line Assy.
21	850314	Nut ¼ - 20 (2 used)	44	177006	Handle Bar Bracket
22	270202	Fuel Cap	45	741264	Bolt ¼" - 28 x ¾"
23	19137	Gasket (Fuel Cap)	46	850364	Flex Lock Nut ¼" - 28
			47	177229	Grommet (4 used)

MODEL 177 FUEL SYSTEM



Ref. No.	Part No.	Description
15	177390	Starter Step Plate
16	177077	Blower Housing
17	726210	Blower Housing Screws (4 used)
18	725810	Starter Step Plate Screw 10 - 24 x 1/2" Pan Sems
19	177126	Starter Cup
20	270128	Starter Cup Shield
21	177127	Starter Screen