

CONTENTS

- 1) **Cylinder, Piston, Crankshaft, Crankcase**
- 2) **Fuel Tank, Tubular Grip, Rubber Buffer**
- 3) **Ignition Electronics, Flywheel, Starter**
- 4) **Oil Pump, Clutch, Chain Brake**
- 5) **Hood, Air Filter**
- 6) **Muffler**
- 7) **Carburetor**
- 8) **Accessories**

IMPORTANT! – To assure product **SAFETY** and **RELIABILITY**, repairs, maintenance or adjustments should be performed by **MAKITA** Service Centers, or other qualified service organizations. Always use **MAKITA** replacement parts.

1) Cylinder, Piston, Crankshaft, Crankcase

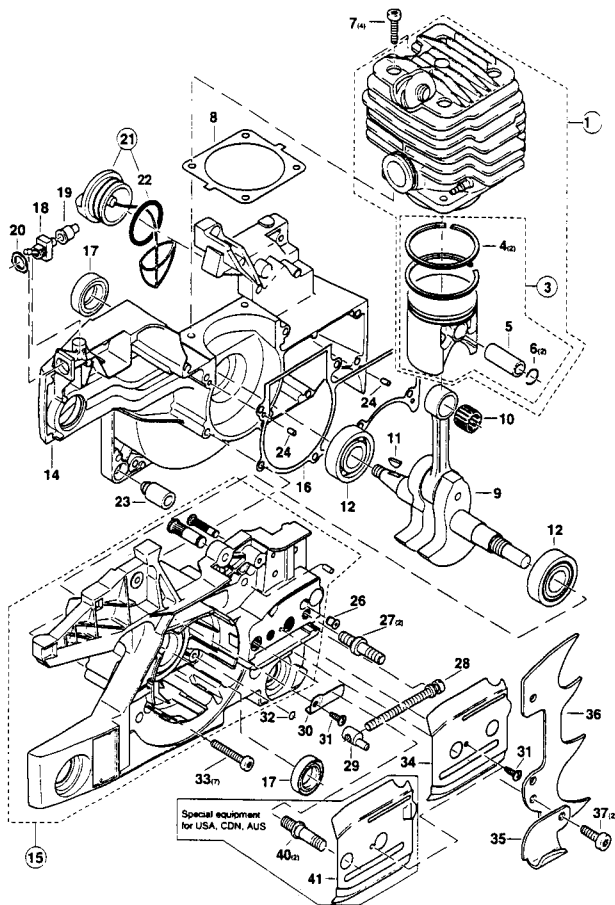


Fig.	Part No.	Qty. Used	Description
1	024-130-300	1	CYLINDER & PISTON ASSY.
3	024-132-020	1	PISTON CPL.
4	133-132-050	2	PISTON RING
5	031-132-020	1	SPRING PIN
6	119-132-060	2	SPRING RING
7	908-005-205	4	SCREW M5X20
8	965-525-060	1	GASKET
9	024-120-022	1	CRANKSHAFT
10	962-210-028	1	NEEDLE CAGE
11	939-630-370	1	KEY
12	960-102-179	2	BALL BEARING
14	024-111-621	1	CRANKCASE, MAG. SIDE
15	024-111-640	1	CRANKCASE, CLUTCH SIDE
16	965-525-070	1	GASKET
17	962-900-054	2	RADIAL RING
18	965-605-400	1	STOP SWITCH
19	965-605-131	1	RUBBER BUSH
20	965-605-120	1	NUT
21	010-114-050	1	OIL TANK PLUG CPL.
22	963-228-030	1	GASKET
23	965-403-370	1	SHOCK ABSORBER
24	936-430-160	2	SPIRAL CLAMPING PIN
26	010-245-010	1	VENT VALVE
27	024-232-030	2	BOLT
28	001-213-160	1	TENSIONING SCREW
29	001-213-170	1	NUT WITH PIVOT
30	024-111-100	1	SAFETY PLATE
31	915-735-100	2	SCREW
32	963-204-015	1	PACKING RING
33	908-005-305	7	SCREW M5X30
34	024-111-071	1	GUIDE PLATE
35	024-111-050	1	CHAIN CATCH
36	024-250-030	1	SPIKE BAR
37	908-006-145	2	SCREW M6X14
40	024-232-040	2	BOLT
41	024-111-031	1	GUIDE PLATE

2) Fuel Tank, Tubular Grip, Rubber Buffer

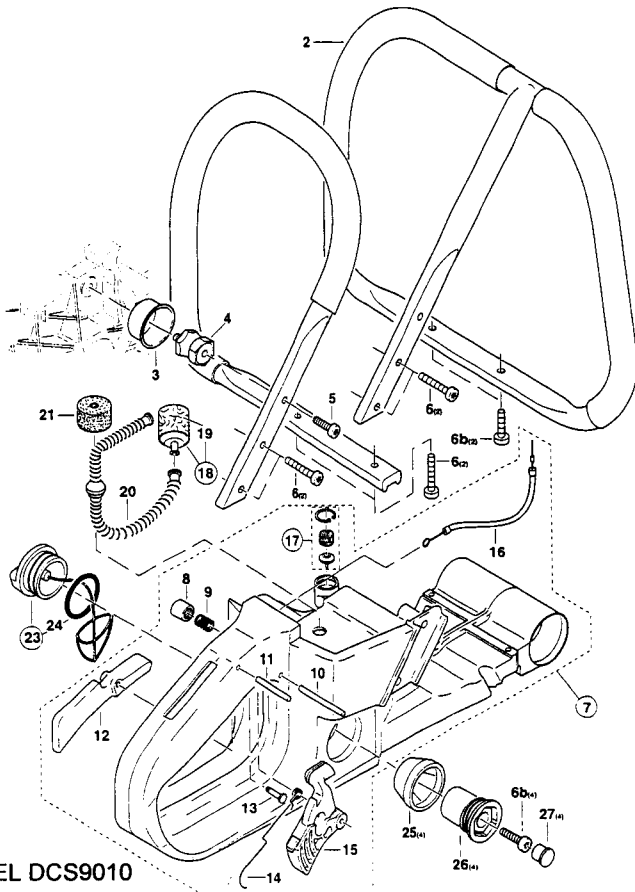


Fig.	Part No.	Qty. Used	Description
2	024-310-100	1	WRAP AROUND HANDLE ASSY.
3	965-551-250	1	POT
4	965-403-430	1	RUBBER BUFFER
5	908-005-165	1	SCREW M5X16
6	913-455-304	4	SCREW 5X30
6b	913-455-204	4	SCREW 5X20
7	024-114-630	1	TANK ASSY. (FUEL)
8	965-451-750	1	BUTTON
9	965-551-160	1	PRESSURE SPRING
10	935-930-450	1	CYLINDRICAL PIN 3X45
11	935-930-280	1	CYLINDRICAL PIN 3X28
12	024-117-020	1	CATCH LEVER
13	965-551-150	1	STOPPIN
14	024-117-031	1	SPRING
15	024-117-010	1	THROTTLE LEVER
16	965-725-041	1	BOWDEN CABLE
17	957-114-010	1	AIR VALVE CPL.
18	963-601-120	1	SUCTION HEAD (FUEL)
19	963-601-240	1	FELT FILTER
20	965-404-700	1	FUEL LINE
21	965-404-520	1	GASKET
23	965-451-901	1	TANK PLUG CPL. (FUEL)
24	963-232-045	1	PACKING RING
25	965-404-720	4	BUSH
26	965-403-461	4	RUBBER BUFFER
27	965-404-740	4	PLUG

3) Ignition Electronics. Flywheel, Starter

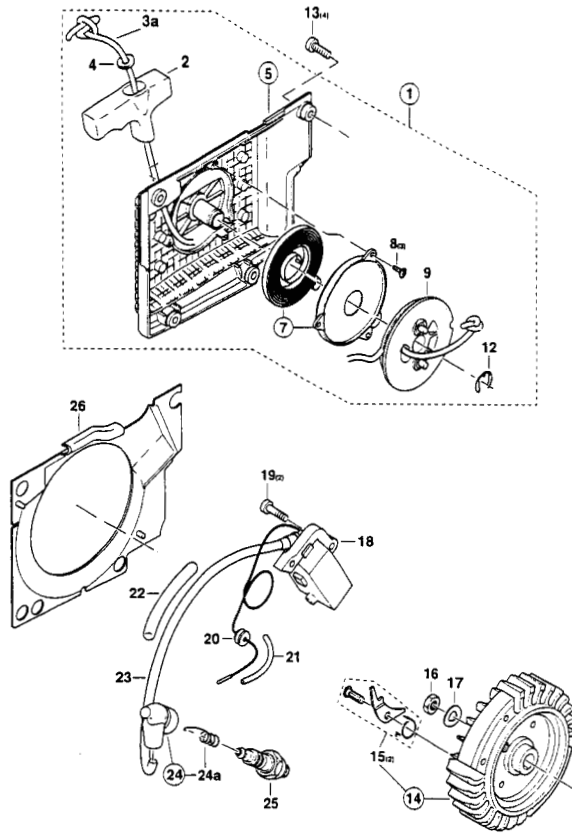


Fig.	Part No.	Qty. Used	Description
1	024-112-630	1	STARTER ASSY.
2	965-402-262	1	STARTER GRIP
3a	122-164-010	1	STARTER ROPE
4	928-405-000	1	DISC
5	024-112-680	1	FAN HOUSING
7	020-163-031	1	REWIND SPRING CPL.
8	915-135-100	3	SCREW
9	024-162-081	1	CABLE DRUM
12	929-314-100	1	SNAPRING
13	908-005-165	4	SCREW M5X16
14	024-141-210	1	FLYWHEEL ASSY.
15	031-166-010	2	STARTER RATCHET CPL.
16	920-308-024	1	HEXAGONAL NUT M8X1
17	926-208-001	1	SPRING WASHER
18	024-143-050	1	IGNITION COIL
19	908-605-205	2	SCREW M5X20
20	965-401-011	1	RUBBER BUSH
21	970-502-050	1	INSULATING HOSE 100MM
22	970-502-110	1	INSULATING HOSE 100MM
23	970-310-200	1	IGNITION CABLE 200MM
24	957-604-260	1	PLUG CAP CPL.
24a	965-604-180	1	SPRING
25	965-603-021	1	SPARK PLUG
26	024-112-021	1	AIR DUCT

4) Oil Pump, Clutch, Chain Brake

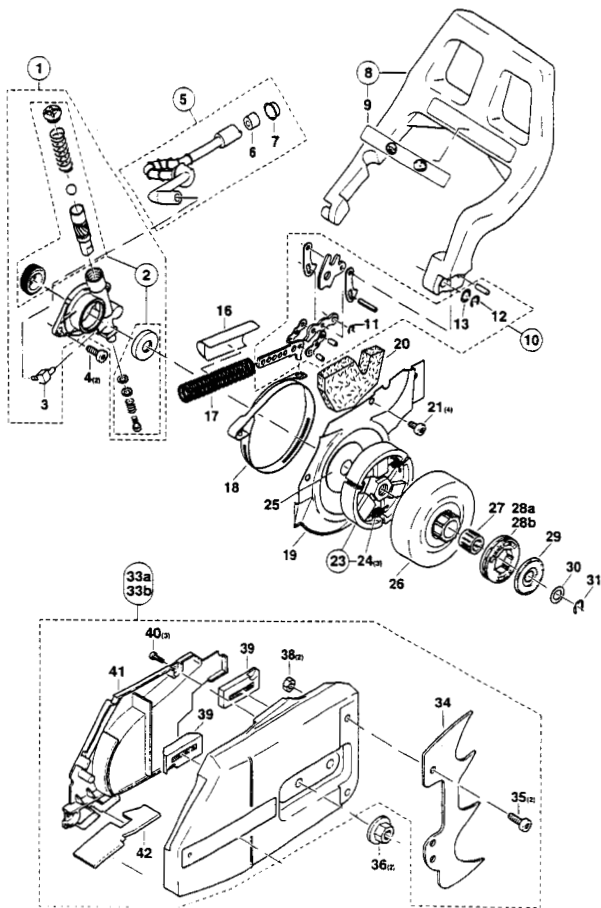


Fig.	Part No.	Qty. Used	Description
1	024-245-100	1	OIL PUMP ASSY.
2	957-245-360	1	REPAIR KIT
3	963-608-100	1	ANGULAR NIPPLE
4	908-005-125	2	SCREW M5X12
5	024-245-200	1	OIL SUCTION LINE ASSY.
6	900-005-066	1	DISTANCING
7	963-601-100	1	SCREEN
8	024-213-180	1	HAND PROTECTION CPL.
9	980-114-237	1	LABEL (SAFETY)
10	010-213-021	1	BRAKING MECHANISM
11	927-304-000	1	SAFETY WASHER
12	927-306-000	1	SAFETY WASHER
13	900-004-364	1	SPACER
16	024-111-061	1	SPRING GUIDING HEAD
17	024-213-321	1	PRESSURE SPRING
18	024-213-351	1	BRAKE SPRING
19	024-213-101	1	PLATE
20	965-404-800	1	COVER FOAM PLATE
21	908-005-125	4	SCREW M5X12
23	010-180-110	1	CLUTCH ASSY.
24	024-184-021	3	TENSION SPRING
25	024-182-060	1	GUIDE DISC
26	024-223-041	1	CLUTCH DRUM
27	962-210-024	1	NEEDLE CAGE
28a	119-224-070	1	RIM SPROCKET
28b	133-224-010	1	RIM SPROCKET
29	001-224-011	1	DISC
30	021-224-010	1	DISC
31	927-308-000	1	SAFETY WASHER
33a	024-213-680	1	SPROCKET GUARD CPL.
33b	024-213-690	1	SPROCKET GUARD CPL.
34	024-250-030	1	SPIKE BAR
35	908-006-145	2	SCREW M6X14
36	923-208-004	2	HEXAGONAL NUT M8
38	922-606-000	2	HEXAGONAL NUT
39	024-213-240	2	CHAIN GUIDE
40	915-735-100	3	SCREW
41	024-213-221	1	CHIP GUIDE
42	965-404-761	1	RUBBER PLATE



5) Hood, Air Filter

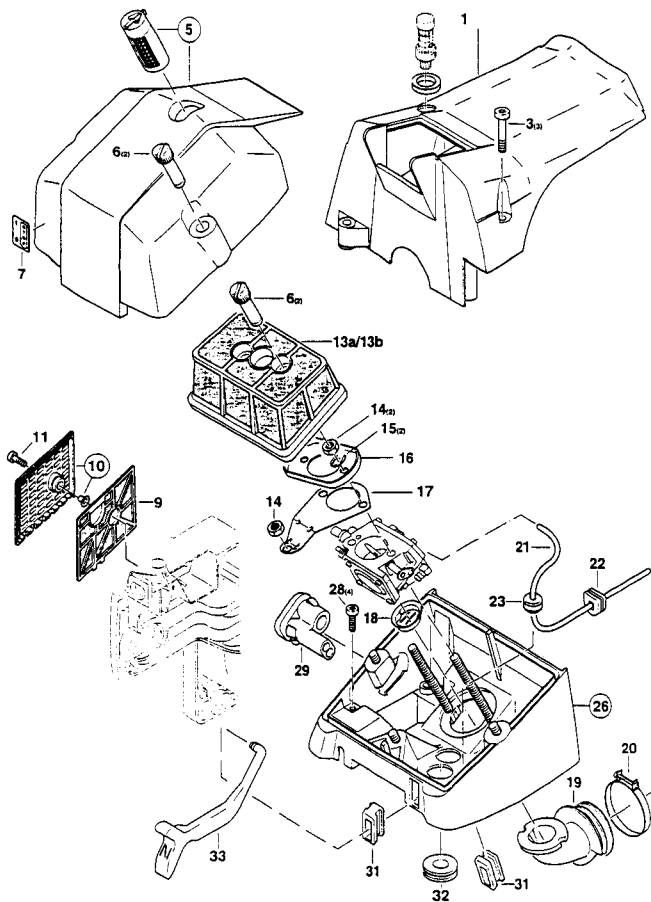


Fig.	Part No.	Qty. Used	Description
1	024-118-121	1	HOOD
3	908-305-255	3	SCREWM5X10X25
5	024-118-111	1	COVER ASSY.
6	024-173-200	4	NUT
7	980-113-841	1	LABEL
9	024-173-081	1	PRE-FILTER
10	024-173-610	1	COVERFORPRE-FILTER
11	908-605-145	1	SCREWM5X14
13a	024-173-230	1	AIRFILTER CPL.
13b	024-173-190	1	AIRFILTER CPL.
14	920-205-000	3	HEXAGONAL NUT M5
15	928-105-000	2	SAFETY WASHER
16	024-173-160	1	HOLDERFORAIR FILTER
17	024-150-170	1	SHEET-METAL HOLDER
18	024-131-031	1	INSERT FOR SUCTION HOSE
19	024-131-022	1	SUCTION HOSE
20	965-603-050	1	CLAMP
21	965-452-060	1	VENTILATIONS LINE 160MM
22	965-401-016	1	RUBBER BUSH
23	965-401-011	1	RUBBER BUSH
26	024-118-032	1	BOTTOM
28	908-005-165	4	SCREWM5X16
29	024-118-051	1	ADJUSTING GUIDE
31	965-401-021	2	RUBBER BUSH
32	965-401-024	1	RUBBER BUSH
33	024-150-020	1	CHOKE SHAFT

6) Muffler

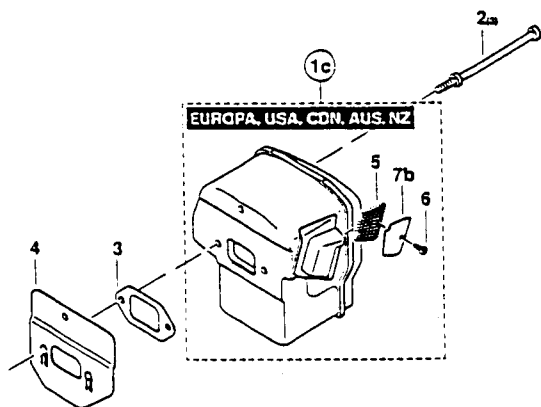


Fig.	Part No.	Qty. Used	Description
1c	024-174-153	1	MUFFLER ASSY.
2	024-174-020	3	SPECIAL SCREWM6
3	965-525-101	1	GASKET
4	024-174-040	1	COVER PLATE
5	024-174-160	1	SCREEN
6	915-142-090	1	SCREW 4.2X9.5
7b	024-174-171	1	DEFLECTOR PLATE

7) Carburetor

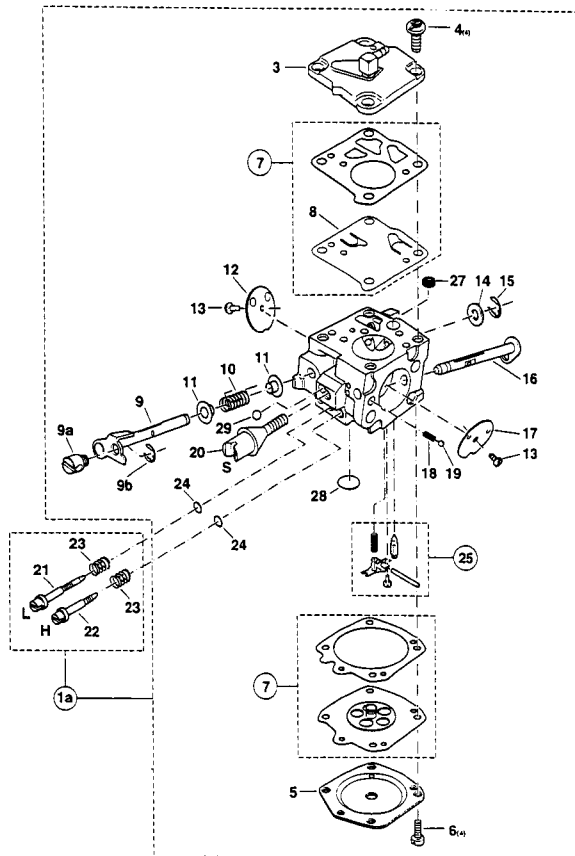


Fig.	Part No.	Qty. Used	Description
1a	024-150-010	1	CARBURETOR
3	024-150-160	1	PUMP COVER CPL.
4	394-150-170	4	SCREW
5	122-151-121	1	DIAPHRAGM COVER
6	001-150-520	4	SCREW
7	957-150-100	1	SET DIAPHRAGM/GASKETS
8	113-150-150	1	PUMP DIAPHRAGM/RUBBER
9	024-150-300	1	THROTTLE SHAFT
9a	024-150-100	1	HOLDER FOR BOWDEN CABLE
9b	024-150-110	1	SAFETY WASHER
10	001-150-310	1	SPRING
11	144-151-315	2	BUSHING
12	024-150-320	1	THROTTLE SHUTTER
13	001-150-650	2	SCREW
14	122-151-400	1	DISC
15	100-150-350	1	SAFETY WASHER
16	024-150-250	1	CHOKE SHAFT
17	113-150-261	1	CHOKE SHUTTER
18	101-150-080	1	LOCKING SPRING
19	113-150-380	1	LOCKING BALL
20	394-150-570	1	IDLE STOP SCREW
21	024-150-470	1	IDLE ADJUSTMENT SCREW
22	024-150-510	1	MAIN ADJUSTMENT SCREW
23	144-151-480	2	SPRING
24	394-150-500	2	PACKING RING
25	957-150-190	1	SET OF CONTROL PARTS
27	394-150-180	1	SCREEN
28	113-150-040	1	COVER DISC
29	001-150-510	1	LOCKING BALL

8) Accessories

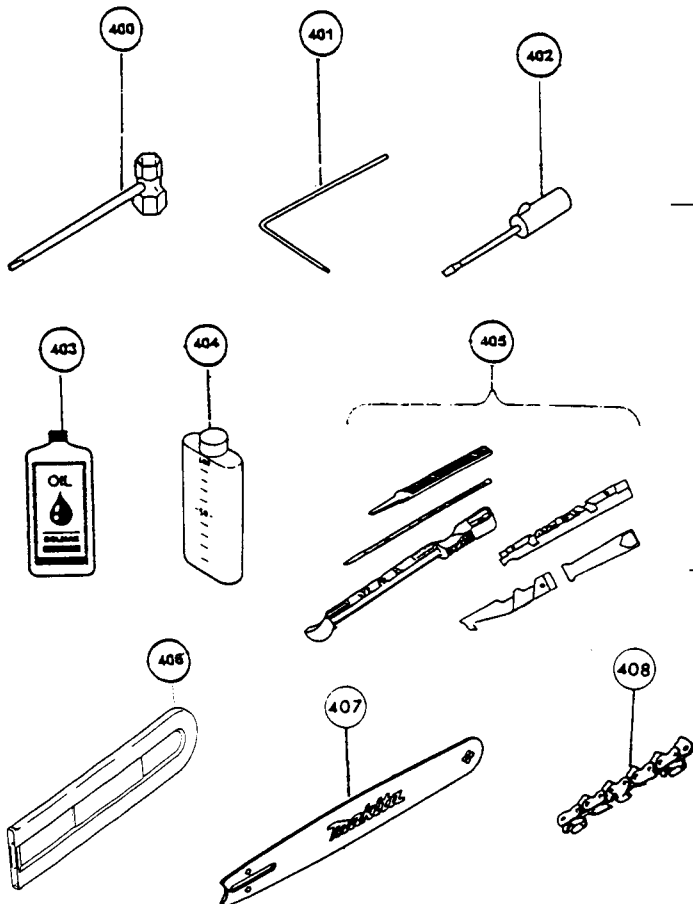


Fig.	Part No.	Qty. Used	Description
400	941-719-171	1	UNIVERSAL WRENCH
401	940-827-000	1	ANGLED SCREW DRIVER
402	944-340-001	1	SCREW DRIVER
403	181115-A	1	ENGINE OIL
404	181116-A	1	CHAIN BAR OIL
405	744100-A	1	SHARPENING KIT 5/32"
405	744101-A	1	SHARPENING KIT 7/32"
406	952-100-171	1	CHAIN PROTECTION 25-33"
407	713204-A	1	20" CHAIN BAR
407	713205-A	1	24" CHAIN BAR
408	713104-A	1	20" SAW CHAIN
408	713105-A	1	24" SAW CHAIN