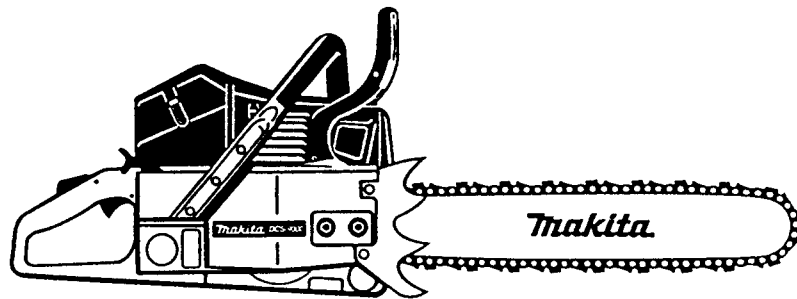




GASOLINE CHAIN SAW

DCS9000FL
Flush Cut Handle Bar
DCS9000FW
Full-Wrap Handle Bar



(Shown with optional Bar & Chain)

CONTENTS

- 1) Cylinder, Piston, Crankshaft, Crankcase with Oil Tank
- 2) Fuel Tank with Grip, Tubular Grip, Rubber Buffer
- 3) Ignition Electronics, Flywheel, Starter
- 4) Oil Pump, Clutch, Chain Brake
- 5) Hood, Air Filter, Intake System, Muffler
- 6) Carburetor
- 7) Accessories

IMPORTANT - To assure product SAFETY and RELIABILITY, repairs, maintenance or adjustments should be performed by MAKITA Service Centers or other qualified service organizations. Always use MAKITA replacement parts.

1) Cylinder, Piston, Crankshaft, Crankcase with Oil Tank

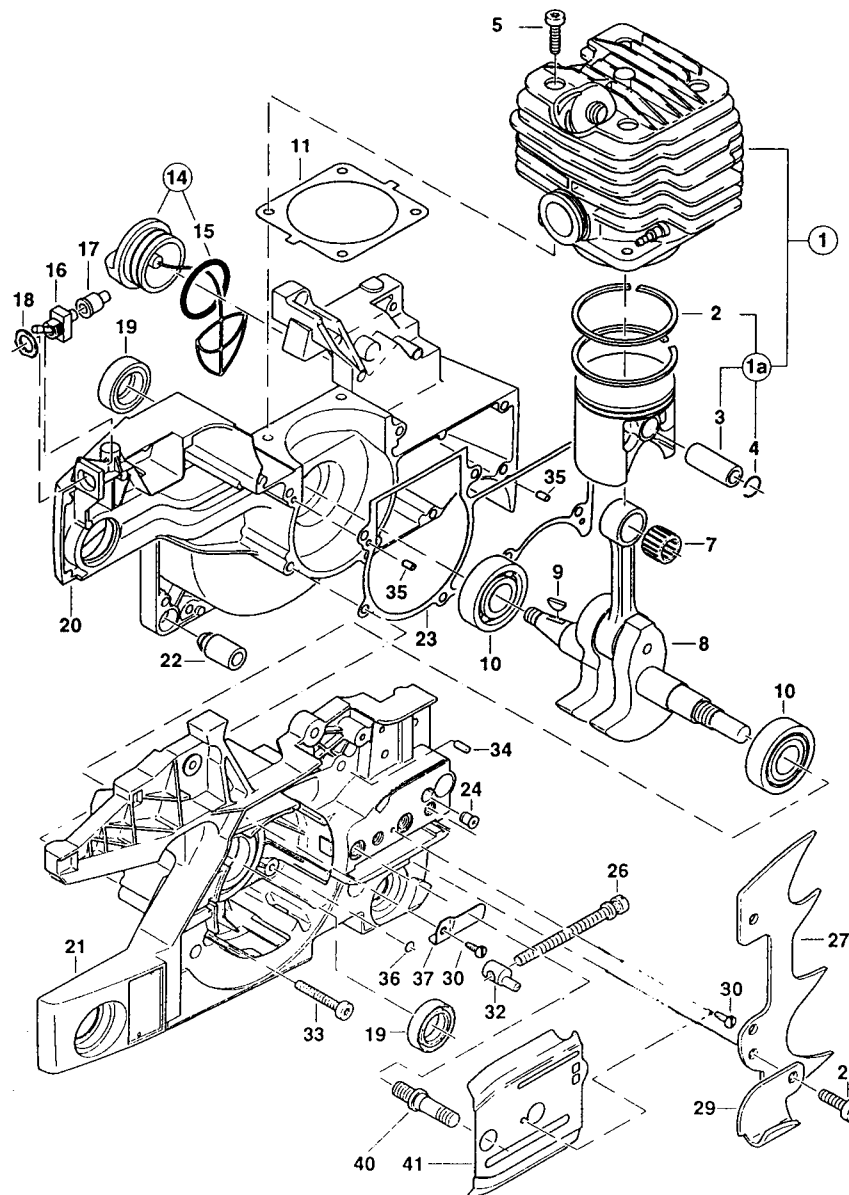


Fig.	Part No.	Qty. Used	Description	Fig.	Part No.	Qty. Used	Description
1	024-130-300	1	CYLINDER & PISTON ASS'Y.	21	024-111-611	1	CRANKCASE, CLUTCH SIDE
1A	024-132-020	1	PISTON COMP.	22	965-403-370	1	SHOCK ABSORBER
2	133-132-050	2	PISTON RING	23	965-525-070	1	GASKET
3	031-132-090	1	PISTON PIN	24	965-404-260	1	VENT VALVE
4	119-132-060	2	SPRING RING	26	001-213-160	1	TENSIONING SCREW
5	908-005-205	4	FILLISTER HEAD SCREW	27	024-250-030	1	SPIKE BAR
7	962-210-028	1	NEEDLE CAGE	28	908-006-145	2	FILLISTER HEAD SCREW
8	024-120-022	1	CRANKSHAFT	29	024-111-050	1	CHAIN CATCH
9	939-630-370	1	KEY	30	915-635-100	2	SELF-CUTTING SCREW
10	960-102-179	2	BALL BEARING	32	001-213-170	1	NUT W/PIVOT
11	965-525-060	1	GASKET	33	908-005-305	7	SCREW 5X30
14	010-114-050	1	OIL TANK PLUG COMP.	34	934-660-250	1	SLOTTED PIN
15	963-228-030	1	GASKET	35	936-430-160	2	SPIRAL CLAMPING PIN
16	965-605-400	1	STOP SWITCH	36	963-204-015	1	PACKING RING
17	965-605-131	1	RUBBER BUSH	37	024-111-100	1	SAFETY PLATE
18	965-605-120	1	NUT	40	024-232-040	2	BOLT
19	962-900-054	2	RADIAL RING	41	024-111-031	1	GUIDE PLATE
20	024-111-621	1	CRANKCASE, MAG. SIDE				

2) Fuel Tank with Grip, Tubular Grip, Rubber Buffer

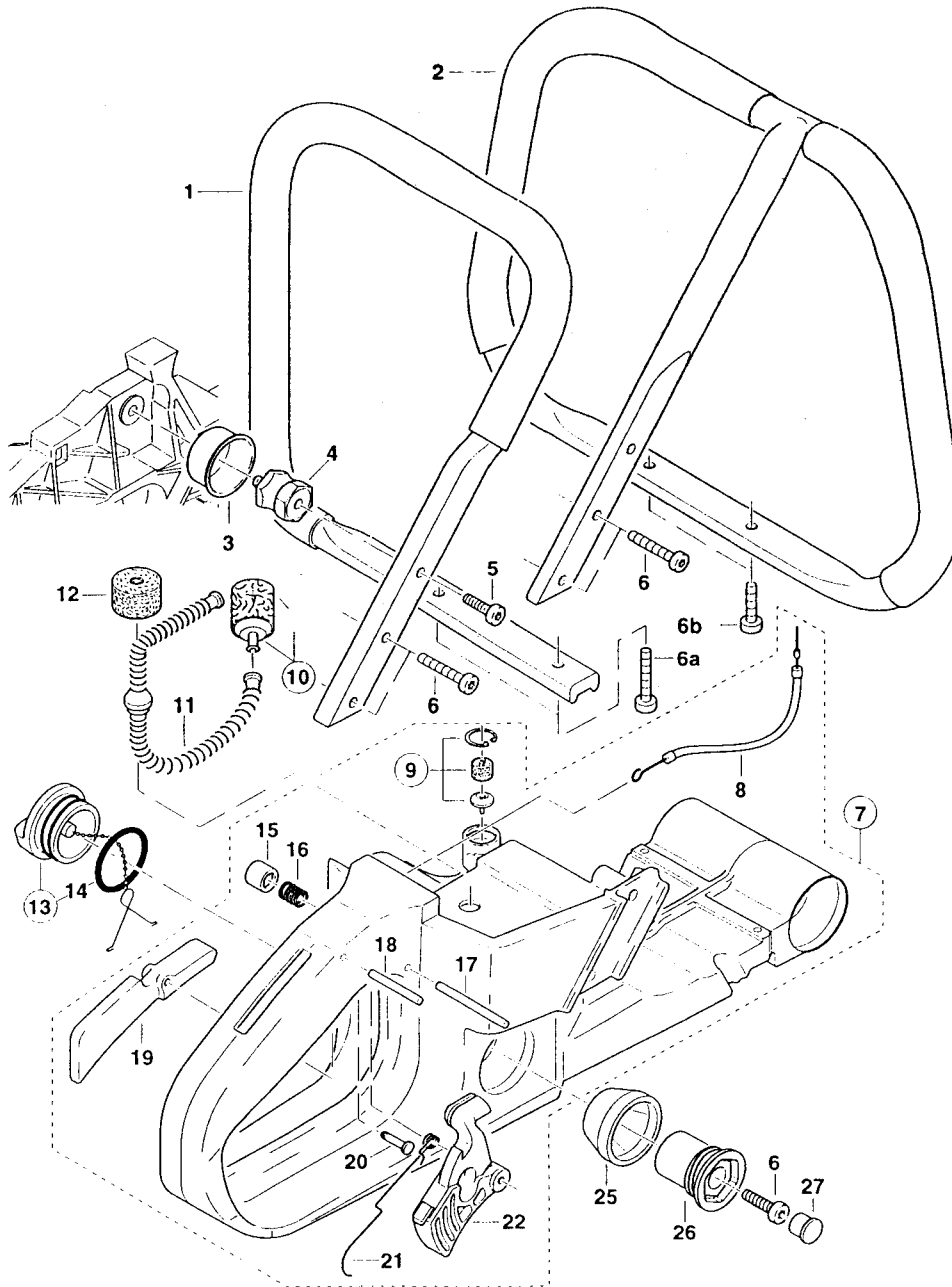


Fig.	Part No.	Qty. Used	Description	Fig.	Part No.	Qty. Used	Description
1	024-310-010	1	FLUSH CUT HANDLE BAR	13	965-450-301	1	TANK PLUG COMP.
2	024-310-100	1	WRAP AROUND HANDLE ASS'Y.	14	963-232-045	1	PACKING RING
3	965-551-250	1	POT	15	965-451-750	1	BUTTON
4	965-403-430	1	RUBBER BUFFER	16	965-551-160	1	PRESSURE SPRING
5	908-005-165	1	FILLISTER HEAD SCREW M5X16	17	935-930-450	1	CYLINDRICAL PIN
6	913-455-304	8	FILLISTER HEAD SCREW	18	935-930-280	1	CYLINDRICAL PIN
6A	913-455-254	2	FILLISTER HEAD SCREW 5.5X25	19	024-117-020	1	CATCH LEVER
6B	913-455-204	2	FILLISTER HEAD SCREW 5.5X20	20	965-551-150	1	STOP PIN
7	024-114-630	1	TANK ASS'Y.	21	024-117-031	1	SPRING
8	965-725-041	1	BOWDEN CABLE COMP.	22	024-117-010	1	THROTTLE LEVER
9	957-114-020	1	AIR VALVE COMP.	25	965-404-720	4	BUSH
10	963-601-260	1	SUCTION HEAD (FUEL)	26	965-403-461	4	RUBBER BUFFER
11	965-404-700	1	FUEL LINE	27	965-404-740	4	PLUG
12	965-404-520	1	GASKET				

3) Ignition Electronics, Flywheel, Starter

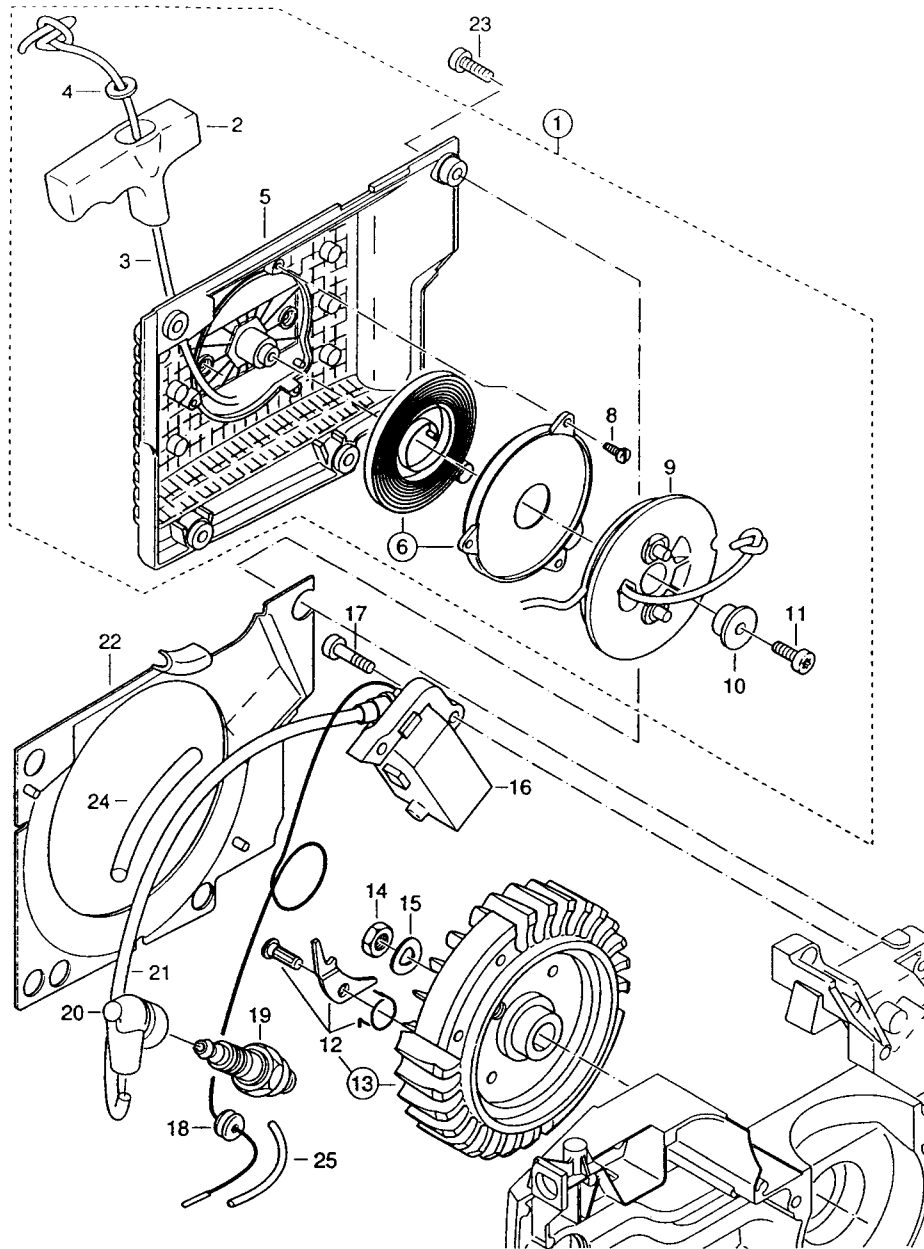


Fig.	Part No.	Qty. Used	Description	Fig.	Part No.	Qty. Used	Description
1	024-112-630	1	STARTER ASS'Y.	14	920-308-024	1	HEX NUT
2	965-402-262	1	STARTER GRIP	15	928-308-001	1	SPRING WASHER
3	122-164-010	1	STARTER ROPE	16	024-143-020	1	IGNITION COIL
4	928-405-000	1	DISC	17	908-605-205	2	SCREW M5X20
5	024-112-680	1	FAN HOUSING	18	965-401-011	1	RUBBER BUSH
6	020-163-031	1	REWIND SPRING	19	965-603-014	1	SPARK PLUG
8	915-635-100	3	FILLISTER TAP SCREW	20	957-604-260	1	PLUG CAP
9	024-162-081	1	CABLE DRUM	21	970-310-200	1	IGNITION CABLE (200mm)
10	024-162-090	1	CABLE DRUM AXLE	22	024-112-021	1	AIR DUCT
11	908-005-205	1	SCREW M5X20	23	908-005-165	4	SCREW M5X16
12	031-166-010	2	STARTER RATCHET	24	970-502-110	1	INSULATING HOSE (125mm)
13	024-141-200	1	FLYWHEEL ASS'Y.	25	970-502-050	1	INSULATING HOSE (100mm)

4) Oil Pump, Clutch, Chain Brake

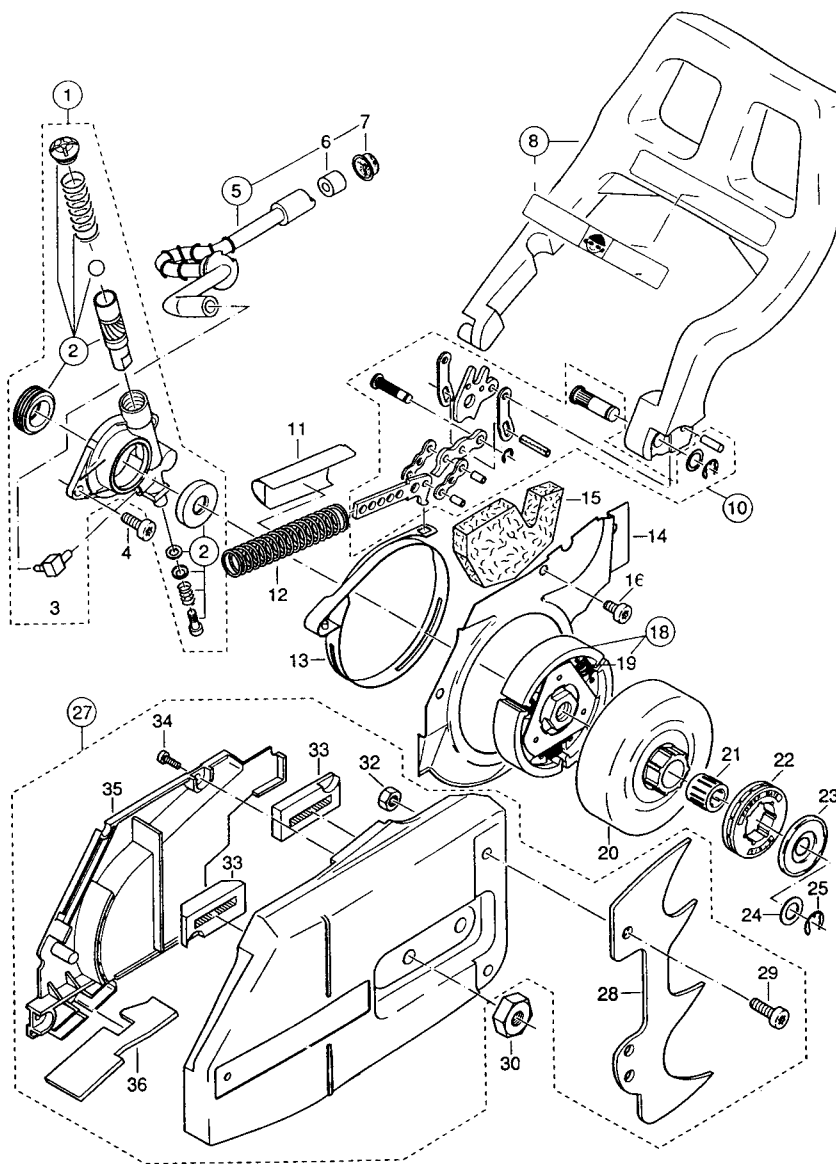


Fig.	Part No.	Qty. Used	Description	Fig.	Part No.	Qty. Used	Description
1	024-245-100	1	OIL PUMP ASS'Y.	19	024-184-021	3	TENSION SPRING
2	957-245-360	1	REPAIR KIT	20	024-223-041	1	CLUTCH DRUM
3	963-608-100	1	ANGULAR NIPPLE	21	962-210-024	1	NEEDLE CAGE
4	908-005-125	2	SCREW M5X12	22	031-224-010	1	RIM SPROCKET
5	024-245-200	1	OIL SUCTION LINE ASS'Y.	23	001-224-011	1	DISC
6	900-005-066	1	DISTANCE RING	24	021-224-010	1	SHIM
7	963-601-100	1	SCREEN	25	927-308-000	1	SAFETY WASHER
8	024-213-180	1	HAND PROTECTION	27	024-213-670	1	SPROCKET GUARD
10	024-213-500	1	BRAKING MECHANISM	28	024-250-030	1	SPIKE BAR
11	024-111-061	1	SPRING GUIDING HEAD	29	908-006-145	2	FILLISTER HEAD SCREW
12	024-213-321	1	PRESSURE SPRING	30	001-213-150	2	HEX NUT
13	024-213-351	1	BRAKE SPRING	32	922-606-000	2	HEX NUT M6
14	024-213-101	1	PLATE	33	024-213-240	2	CHAIN GUIDE
15	965-404-800	1	COVER FOAM PLATE	34	915-635-100	3	SELF-CUTTING SCREW
16	908-005-125	3	SCREW M5X12	35	024-213-221	1	CHIP GUIDE
18	010-180-100	1	CLUTCH ASS'Y.	36	965-404-760	1	RUBBER PLATE

5) Hood, Air Filter, Intake System, Muffler

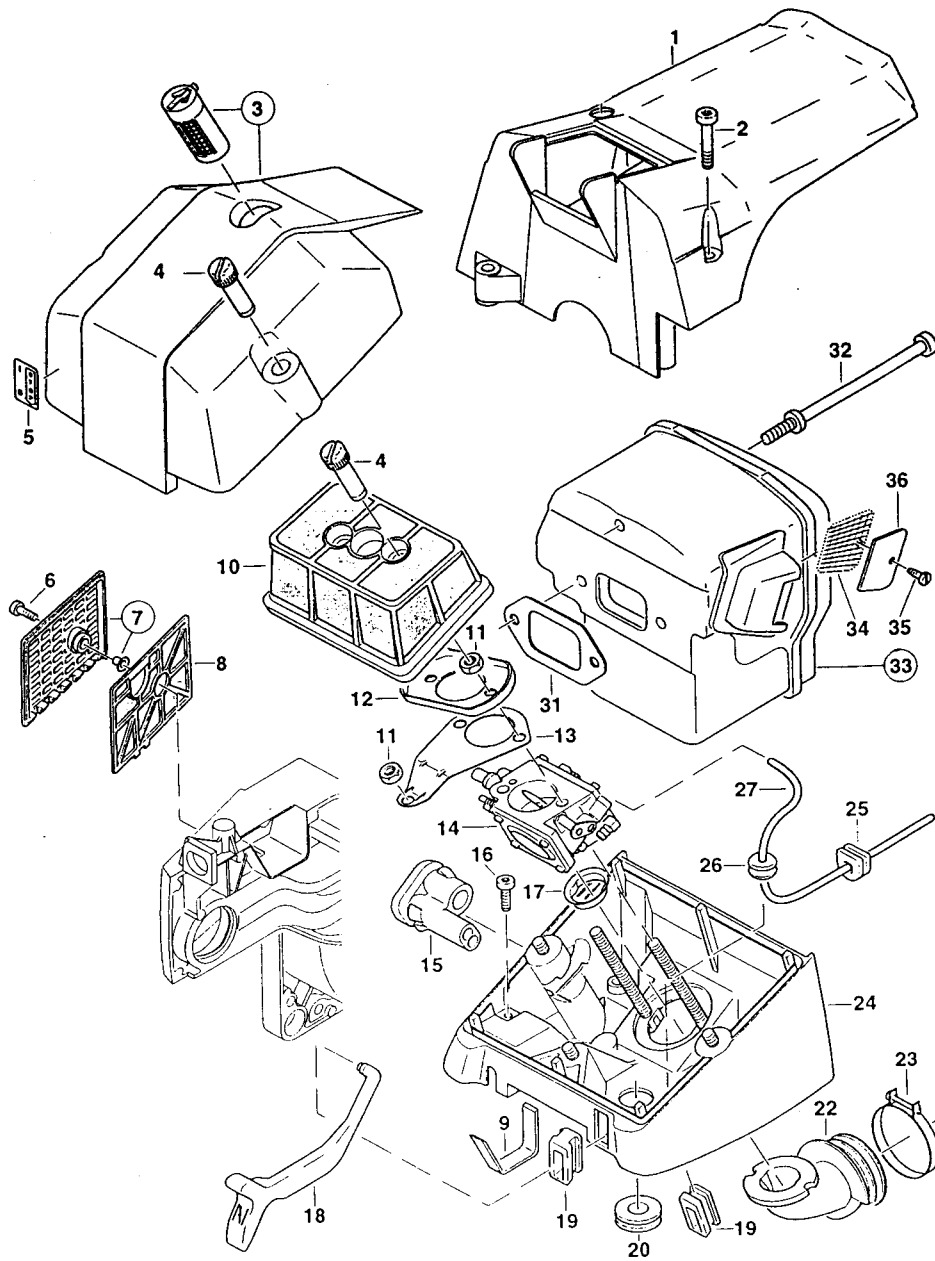


Fig.	Part No.	Qty. Used	Description	Fig.	Part No.	Qty. Used	Description
1	024-118-121	1	HOOD	17	024-131-031	1	INSERT FOR SUCTION HOSE
2	908-305-255	3	FILLISTER HEAD SCREW	18	024-150-020	1	CHOKE SHAFT
3	024-118-111	1	COVER ASS'Y.	19	965-401-021	2	RUBBER BUSH
4	024-173-200	4	NUT	20	965-401-024	1	RUBBER BUSH
5	980-113-841	1	LABEL	22	024-131-021	1	SUCTION HOSE
6	908-605-145	1	FILLISTER HEAD SCREW M5X14	23	965-603-050	1	CLAMP
7	024-173-610	1	COVER FOR PRE-FILTER	24	024-118-060	1	BOTTOM
8	024-173-081	1	PRE-FILTER	25	965-401-016	1	RUBBER BUSH
9	965-404-830	1	GASKET FOR BOTTOM	26	965-401-011	1	RUBBER BUSH
10	024-173-230	1	AIR FILTER	27	965-452-060	1	VENTILATION LINE (160mm)
11	920-205-000	3	HEX NUT M5	31	965-525-101	1	GASKET
12	024-173-160	1	HOLDER FOR AIR FILTER	32	024-174-020	3	SPECIAL SCREW
13	024-150-170	1	SHEET-METAL HOLDER FOR CARB	33	024-174-151	1	MUFFLER ASS'Y.
14	024-152-011	1	CARBURETOR	34	024-174-160	1	SCREEN
15	024-118-051	1	ADJUSTING GUIDE	35	905-042-090	1	SCREW 4.2X9
16	908-005-165	4	SCREW M5X16	36	024-174-040	1	DEFLECTOR PLATE

6) Carburetor

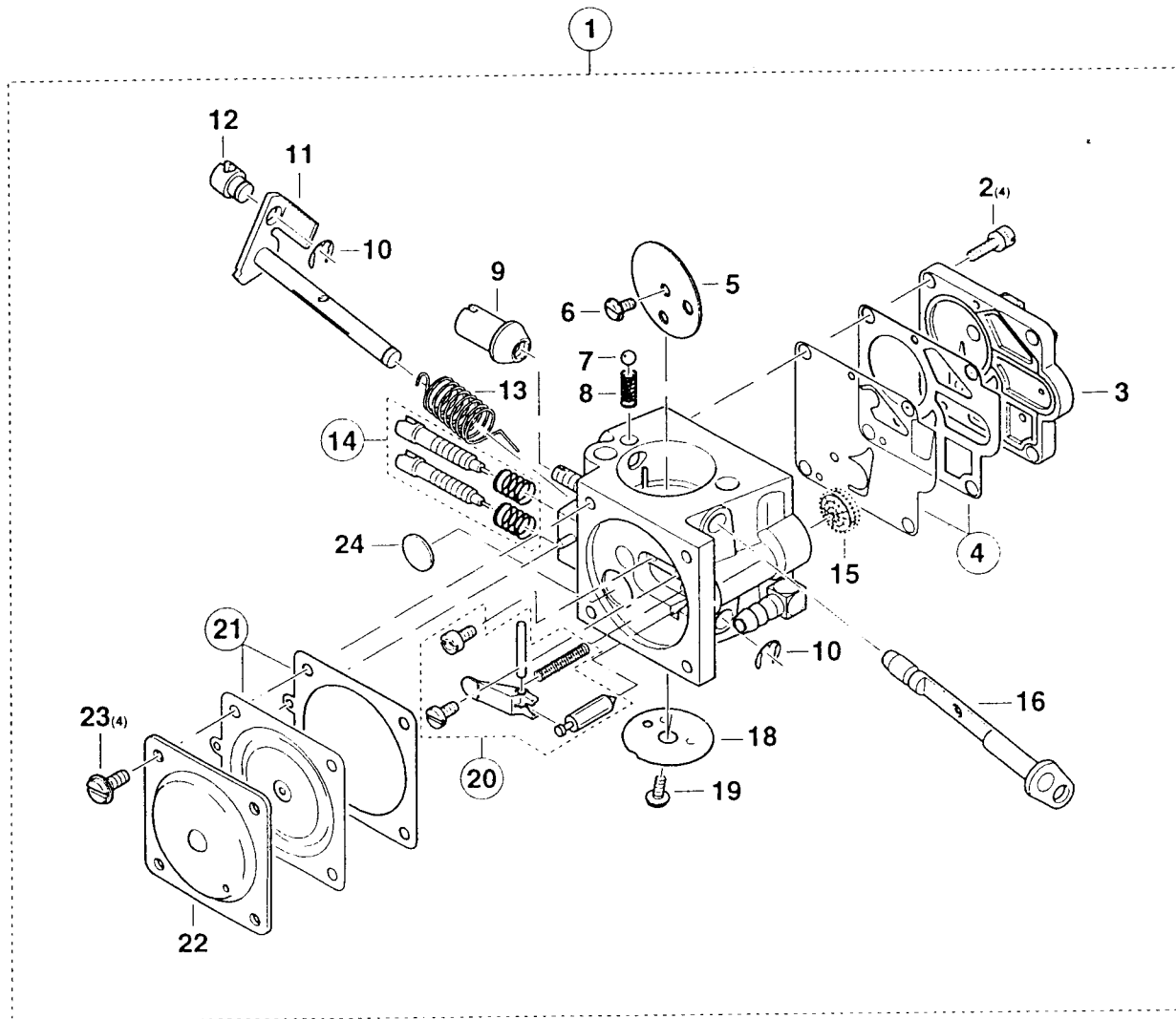


Fig.	Part No.	Qty. Used	Description	Fig.	Part No.	Qty. Used	Description
1	024-152-011	1	CARBURETOR	13	024-152-310	1	SPRING
2	114-152-170	4	SCREW	14	024-152-920	1	ADJUSTMENT SCREW (W/SPRING)
3	024-152-160	1	PUMP COVER	15	024-152-180	1	SCREEN
4	024-152-910	1	PUMP DIAPHRAGM (W/GASKET)	16	024-152-250	1	CHOKE SHAFT
5	024-152-260	1	CHOKE SHUTTER	18	024-152-320	1	THROTTLE SHUTTER
6	114-152-370	1	SCREW	19	114-152-370	1	SCREW
7	114-152-380	1	BALL	20	024-152-900	1	CONTROL PARTS (SET)
8	114-152-080	1	SPRING	21	024-152-930	1	CONTROL DIAPHRAGM (W/GASKET)
9	024-152-240	1	ADJUSTMENT NUT	22	024-152-120	1	DIAPHRAGM COVER
10	114-152-350	2	SAFETY WASHER	23	024-152-140	4	SCREW
11	024-152-300	1	THROTTLE SHAFT	24	024-152-040	1	COVER DISC
12	024-152-500	1	HOLDER FOR BOWDEN CABLE				

7) Accessories

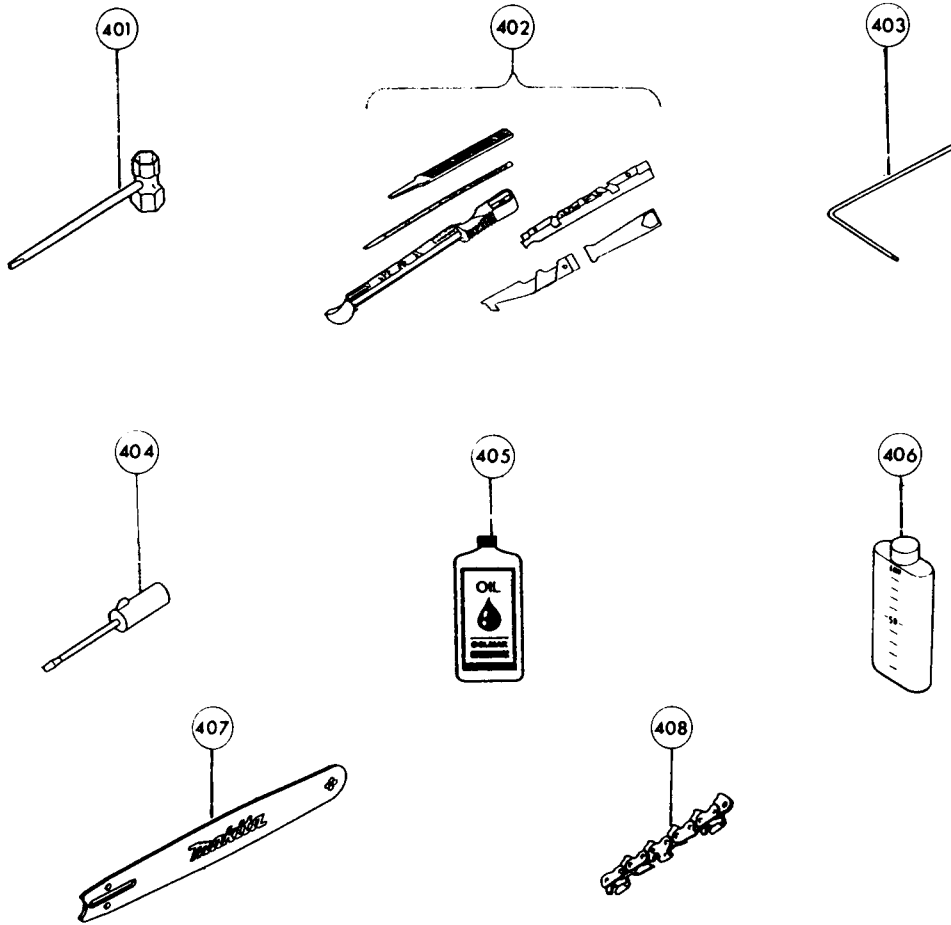


Fig.	Part No.	Qty. Used	Description	Fig.	Part No.	Qty. Used	Description
ACCESSORIES				407	713204-A	1	20" CHAIN BAR
401	941-719-171	1	UNIVERSAL WRENCH	407	713205-A	1	24" CHAIN BAR
402	744100-A	1	SHARPENING KIT 5/32"	407	713206-A	1	28" CHAIN BAR
402	744101-A	1	SHARPENING KIT 7/32"	407	713207-A	1	32" CHAIN BAR
403	940-827-000	1	TORX WRENCH	408	713104-A	1	20" CHAIN
404	944-340-001	1	CARBURETOR SCREWDRIVER	408	713105-A	1	24" CHAIN
405	181115-A	1	ENGINE OIL	408	713106-A	1	28" CHAIN
406	181116-A	1	CHAIN BAR OIL	408	713107-A	1	32" CHAIN

8 MODEL DCS9000FL
8 MODEL DCS9000FW