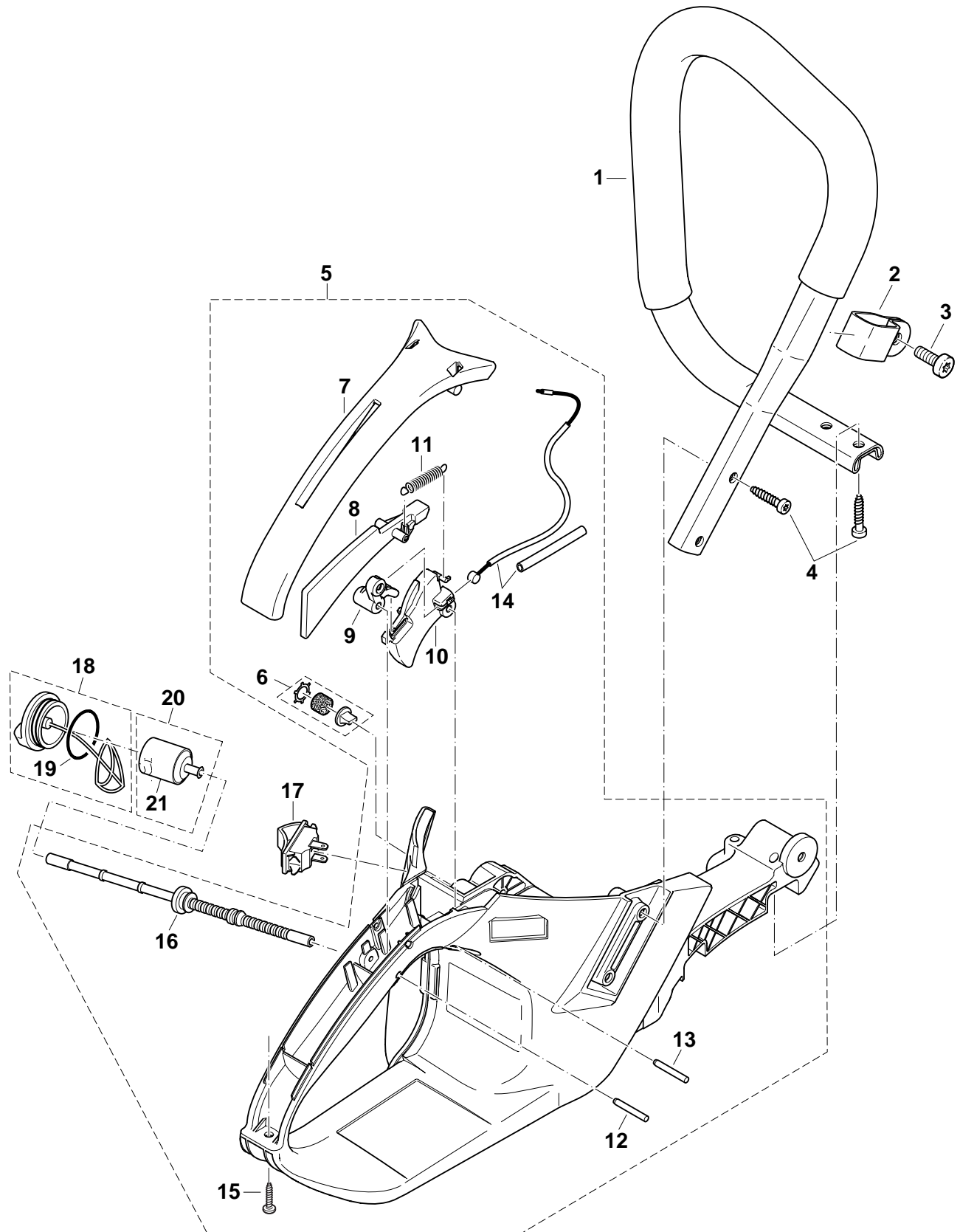


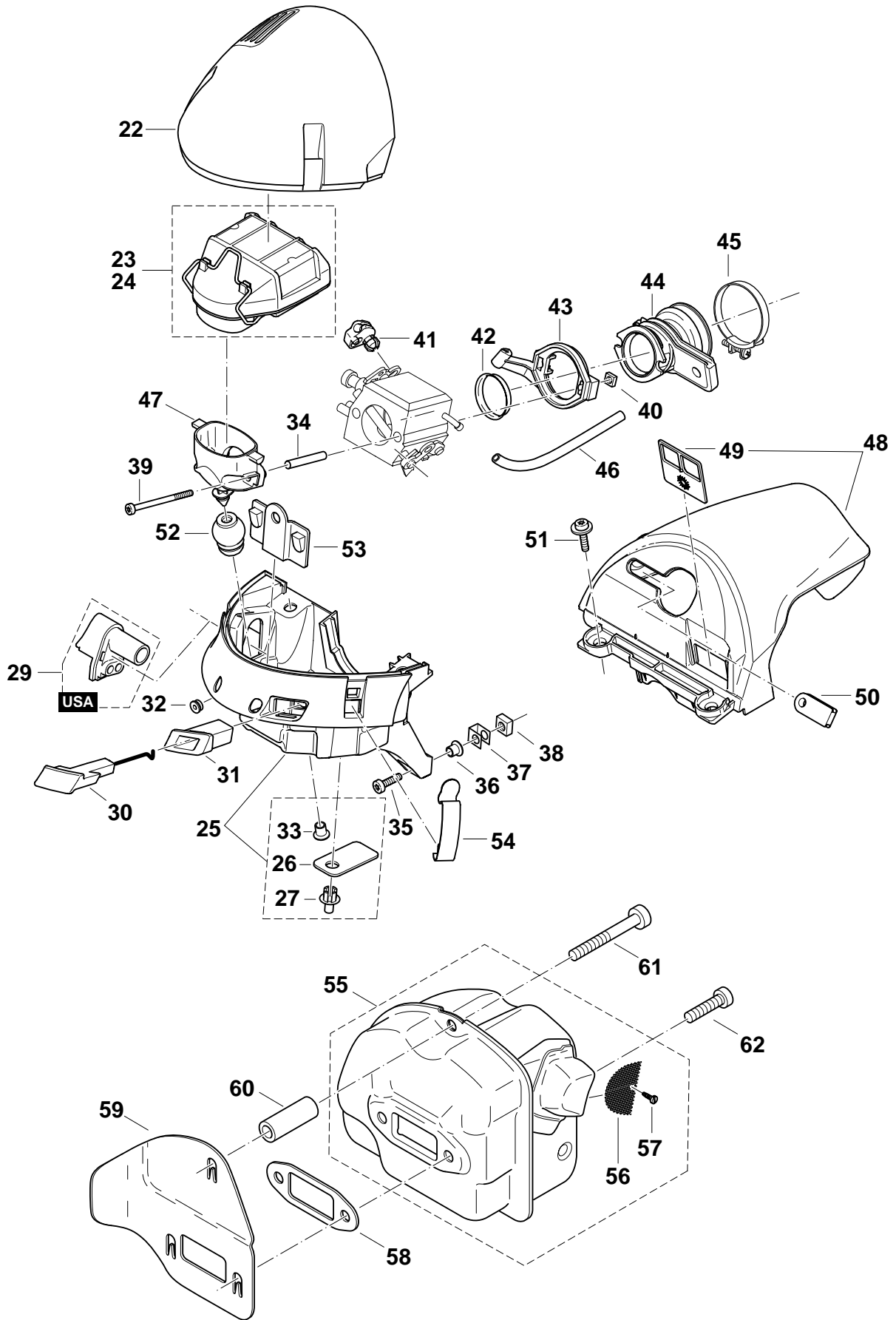
## **CONTENTS:**

- 1) Fuel tank, Tubular grip
- 2) Hood, Air filter, Muffler
- 3) Cylinder, Crankcase
- 4) Ignition electronics, Starter
- 5) Oil pump, Clutch
- 6) Chain brake
- 7) Carburetor

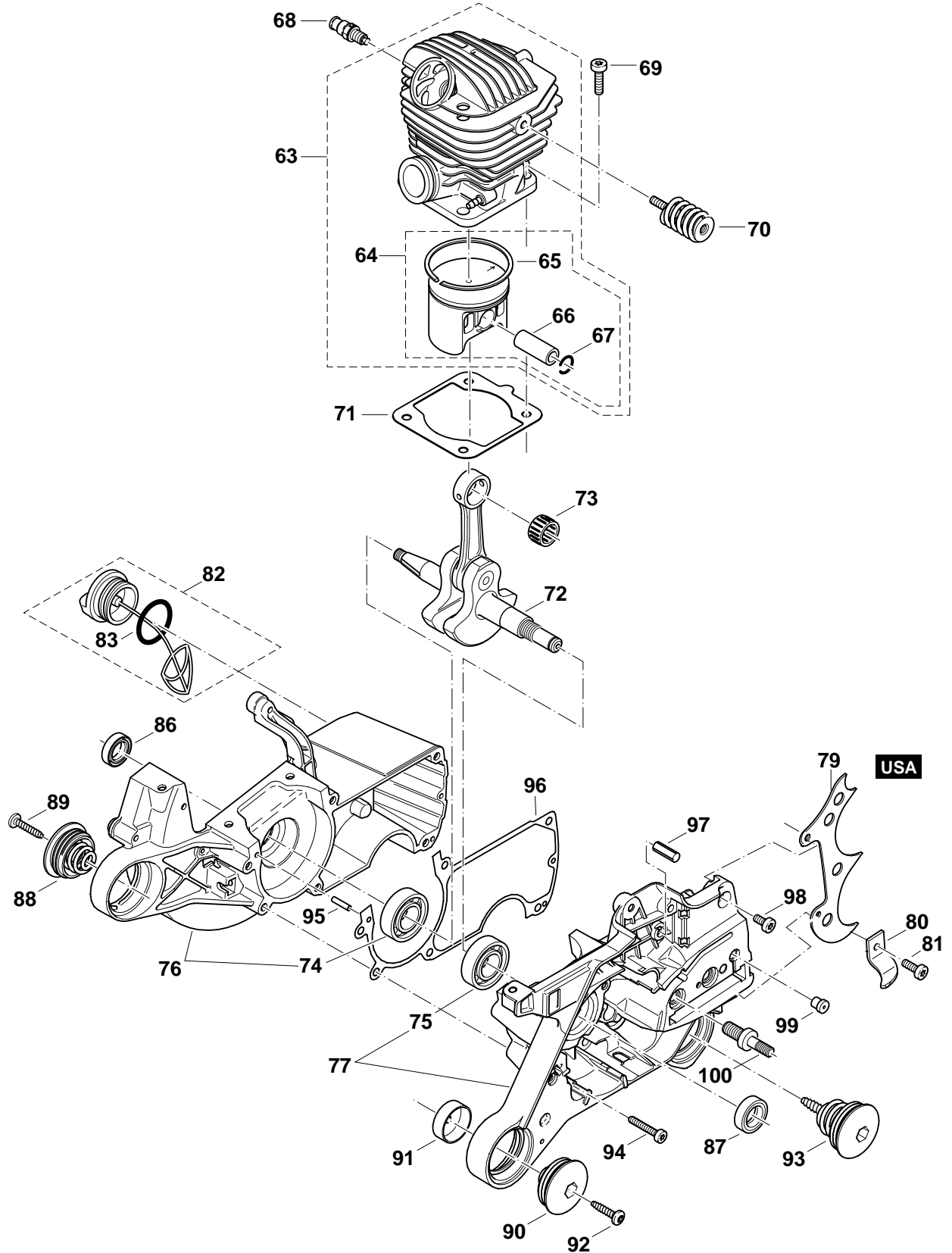
# 1) FUEL TANK, TUBULAR GRIP



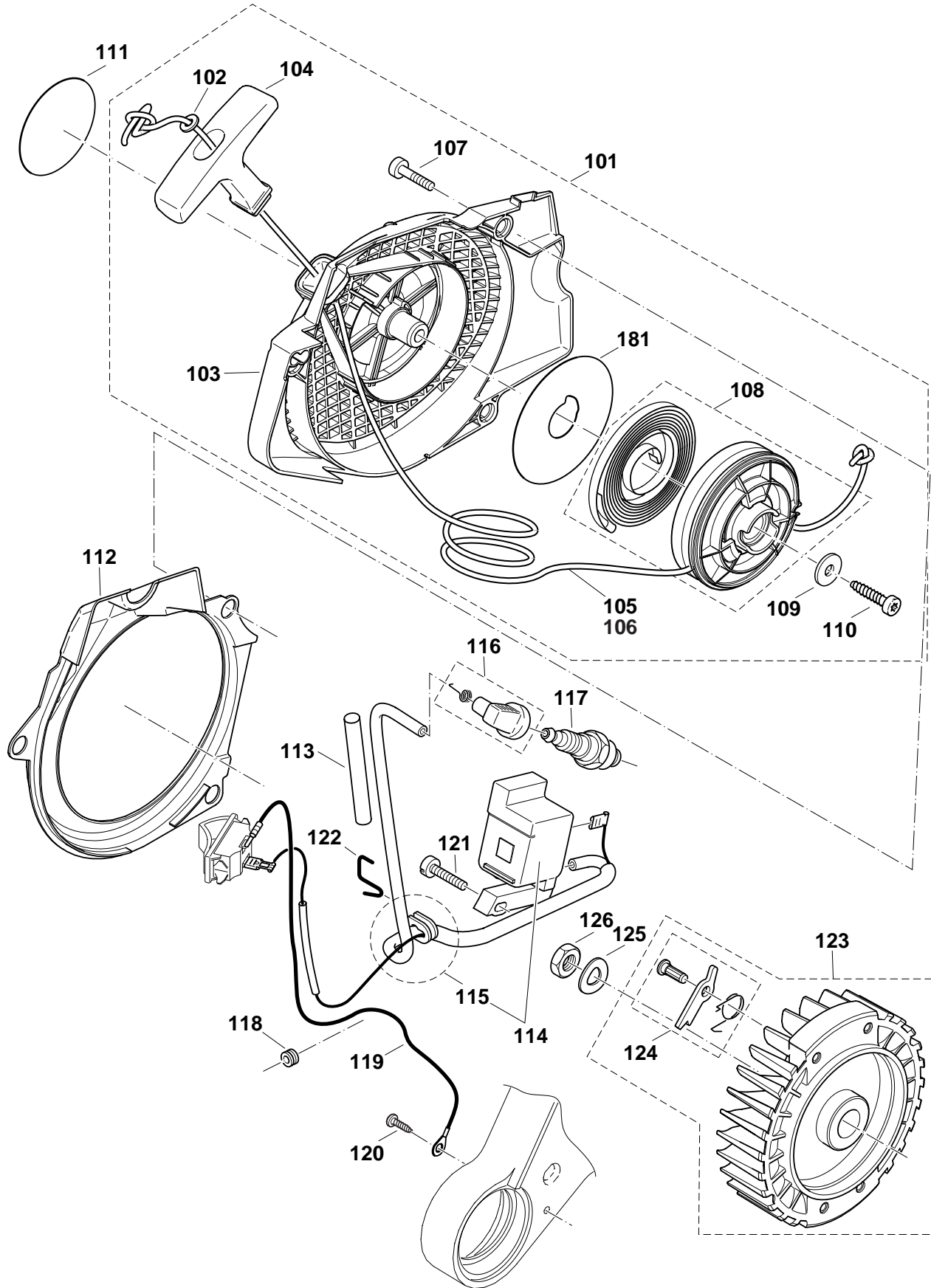
## 2) HOOD, AIR FILTER, MUFFLER



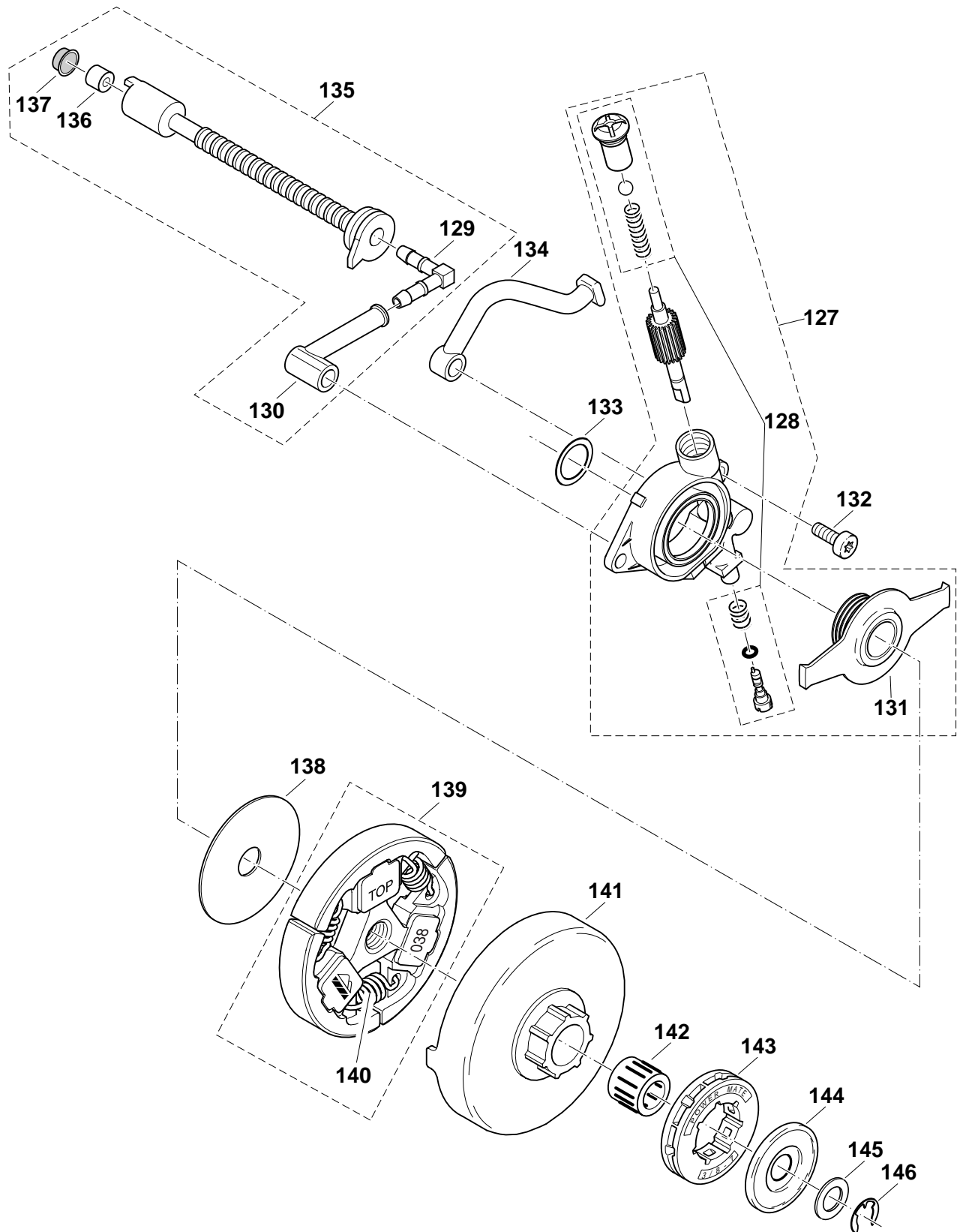
### 3) CYLINDER, CRANKCASE



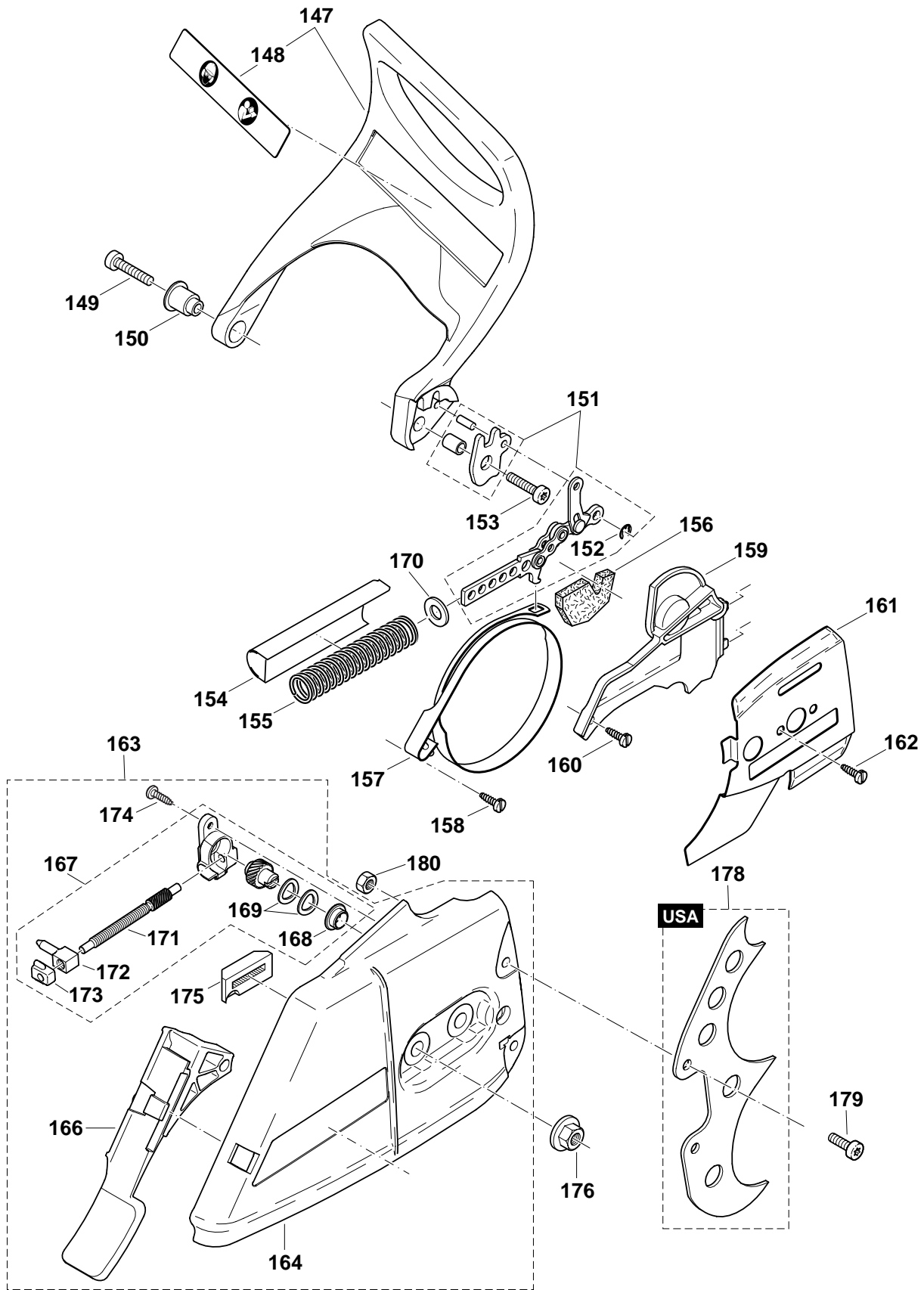
## 4) IGNITION ELECTRONICS, STARTER



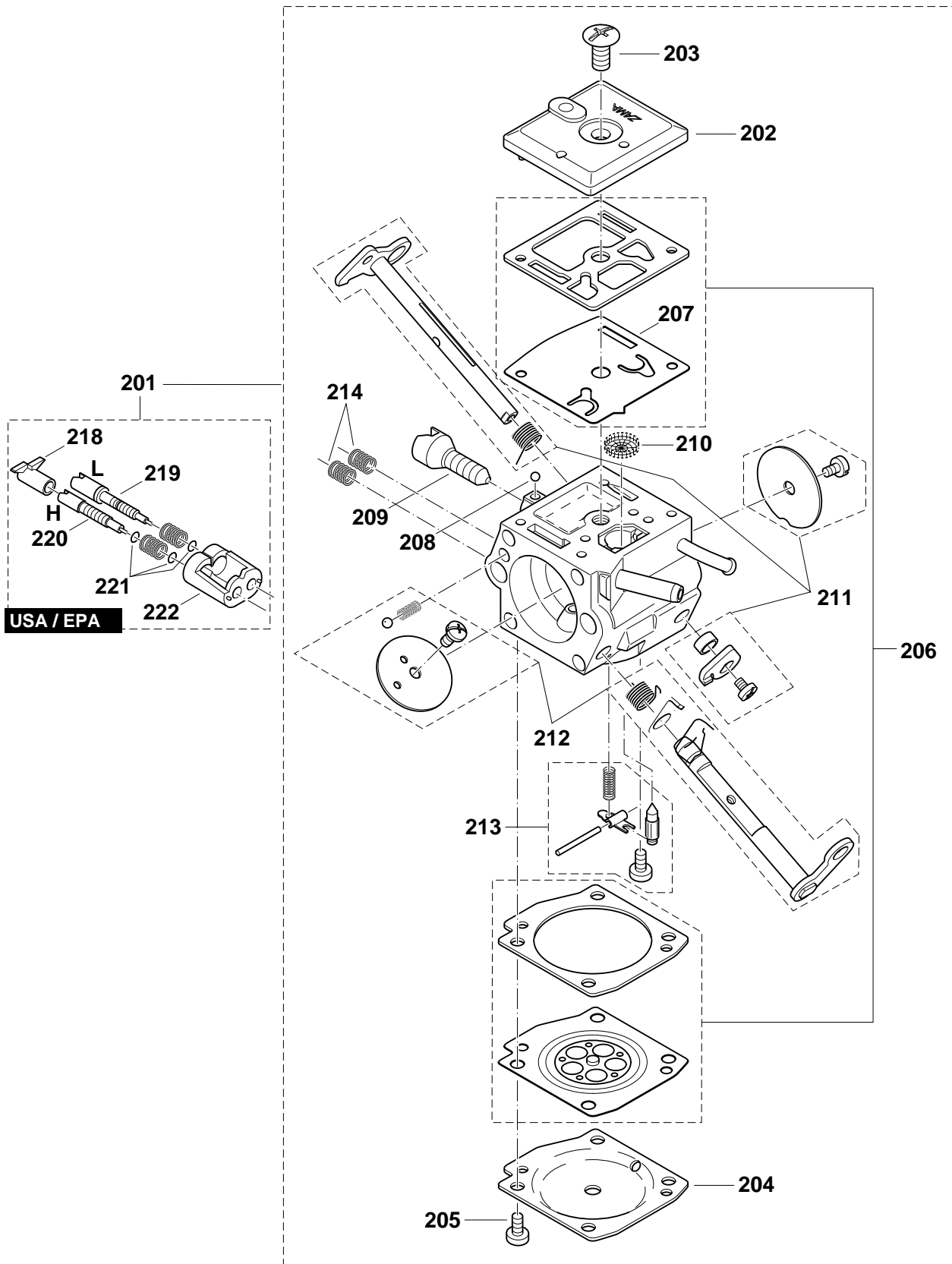
# 5) OIL PUMP, CLUTCH



# 6) CHAIN BRAKE



# 7) CARBURETOR





Item No.	Part No.	Qty. Used	Description	Item No.	Part No.	Qty. Used	Description
1	038-310-020	1	TUBULAR HANDLE ASSY	55	038-174-200	1	MUFFLER
2	038-310-060	1	CLAMP	56	038-174-040	1	SPARK ARRESTOR SCREEN
3	908-006-145	1	SCREW 6x14	57	915-035-100	1	SCREW 3.5x10
4	913-455-204	4	SCREW 5.5x20	58	965-531-130	1	GASKET
5	038-114-600	1	TANK CPL.,blue	59	038-174-020	1	COVER PLATE
6	957-114-060	1	AIR VALVE CPL.(fuel)	60	038-174-030	1	CONNECTING LINK
7	038-114-630	1	GRIP PLATE, blue	61	908-305-405	1	SCREW M5x40
8	038-117-020	1	CATCH LEVER	62	908-405-205	2	SCREW M5x20
9	038-117-030	1	ROCKER	63	038-130-030	1	CYLINDER/PISTON cpl.
10	038-117-010	1	THROTTLE LEVER	64	038-132-000	1	PISTON cpl.
11	038-117-050	1	SPRING	65	038-132-020	1	PISTON RING (D=52)
12	935-930-240	1	CYLINDRICAL PIN 3x24	66	038-132-040	1	PISTON PIN
13	935-930-280	1	CYLINDRICAL PIN 3x28	67	119-132-060	2	SPRING RING C12x1
14	010-117-040	1	BOWDEN CABLE	68	001-131-150	1	DECOMPRESSION VALVE
15	913-340-204	1	SCREW 4x20 S27	69	908-005-205	4	SCREW 5x20
16	038-114-050	1	FUEL LINE	70	038-114-150	1	SPRING w/threaded insert
17	975-001-210	1	SHORT-CIRCUIT SWITCH	71	965-531-121	1	GASKET
18	010-114-050	1	TANK CAP cpl.	72	038-120-020	1	CRANKSHAFT cpl.
19	963-228-030	1	PACKING RING 28x3	73	962-210-019	1	NEEDLE CAGE
20	963-601-130	1	SUCTION HEAD	74	960-102-159	1	BALL BEARING 6202
21	963-601-240	1	FELT for Suction Head	75	960-102-179	1	BALL BEARING 6203 C4
22	038-118-620	1	COVER, grey	76	038-111-630	1	CRANKCASE MAG.SIDE,blue
23	038-173-100	1	AIR FILTER cpl.	77	038-111-640	1	CRANKCASE CLUTCH SIDE,blue
24	038-173-010	1	AIR FILTER cpl.nylon	79	038-250-200	1	SPIKE BAR
25	038-118-630	1	BOTTOM, blue	80	038-111-080	1	CHAIN CATCH
26	038-118-110	2	RUBBER FLAP	81	908-005-165	1	SCREW 5x16
27	938-650-062	2	RIVET	82	010-114-050	1	TANK CAP cpl.
29	038-118-120	1	ADJUSTING GUIDE	83	963-228-030	1	PACKING RING 28x3
30	038-155-050	1	CHOKE SHAFT	86	962-900-052	1	RADIAL RING
31	038-155-020	1	CHOKE GUIDE	87	962-900-061	1	RADIAL RING 17x28x5/4
32	965-401-020	1	RUBBER BUSH	88	038-114-130	1	SPRING cpl.,w/cap
33	001-118-100	2	BUSHING	89	913-455-204	1	SCREW 5.5x20
34	038-155-060	2	SPACER L=30MM	90	038-114-130	1	SPRING cpl.,w/cap
35	908-005-205	2	SCREW 5x20	91	038-114-190	1	POT
36	001-118-100	2	BUSHING	92	913-455-204	1	SCREW
37	038-111-050	2	CLIP	93	038-114-140	1	SPRING cpl., w/cap
38	038-111-060	2	SQUARE NUT M5	94	908-005-305	6	SCREW 5x30
39	908-204-555	2	SCREW 4x55	95	936-430-160	2	SPIRAL CLAMPING PIN 3x16
40	921-804-004	2	SQUARE NUT M4	96	038-111-042	1	GASKET
41	038-155-010	1	RETAINING CLIP	97	934-660-250	1	SLOTTED PIN 6x24
42	038-131-030	1	INSERT for Suction Hose	98	908-005-125	1	SCREW 5X12
43	038-171-041	1	FLANGE	99	010-245-030	1	VENT VALVE
44	038-131-010	1	SUCTION HOSE	100	038-232-010	2	BOLT
45	965-603-050	1	HOSE CLAMP	101	038-160-600	1	STARTER ASSY.,blue
46	965-452-380	1	TUBE,L=65	102	928-405-000	1	SPRING WASHER
47	038-171-010	1	CONNECTING MUFF	103	038-112-630	1	FAN HOUSING, blue
48	038-118-690	1	HOOD cpl., grey	104	001-161-010	1	STARTER GRIP
49	038-118-140	1	INSERT	105	108-164-020	1	STARTER ROPE,(L=980MM)
50	038-118-130	1	CABLE GUIDE	106	985-000-155	1	STARTER ROPE, (L=100M)
51	917-105-205	2	SCREW M5x20	107	908-605-205	3	SCREW M5x20
52	038-171-030	1	HOLDER	108	038-162-021	1	CABLE DRUM cpl.
53	038-118-100	1	PLUG	109	924-605-510	1	WASHER 5.5x18x1.6
54	038-118-071	2	STEEL CLIP	110	913-455-204	1	SCREW 5.5x20

Item No.	Part No.	Qty. Used	Description	Item No.	Part No.	Qty. Used	Description
111	980-114-837	1	LABEL	164	038-213-635	1	SPROCKET GUARD, blue
112	038-112-020	1	AIR DUCT	166	038-213-190	1	CHIP GUIDE
113	970-502-110	1	INSULATING HOSE,L=140	167	957-213-020	1	CHAIN TENSIONER cpl.
114	038-143-020	1	IGNITION COIL	168	038-213-080	1	BUSHING
115	038-143-030	1	CABLE HARNESS	169	038-213-210	2	SPRING WASHER
116	957-604-240	1	PLUG CAP	170	028-213-010	1	WASHER 12x9
117	965-603-021	1	SPARK PLUG	171	038-213-120	1	TENSIONING SCREW
118	965-401-011	1	RUBBER BUSH	172	038-213-090	1	TENSIONING NUT
119	970-311-540	1	EARTH CABLE	173	038-213-070	1	TENSIONING SCREW BEARING
120	915-135-100	1	SCREW BZ3.5x9.5	174	915-135-100	1	SCREW BZ3.5x9.5
121	908-304-205	2	SCREW 4x10x20 S27	175	024-213-240	1	CHAIN GUIDE
122	038-111-110	2	CLIP	176	923-208-004	2	HEX. NUT M8
123	038-141-000	1	FLYWHEEL ASSY.	178	038-250-210	1	SPIKE BAR
124	108-166-051	2	STARTER RATCHET cpl.	179	908-005-125	2	SCREW M5x12
125	926-208-001	1	SPRING WASHER	180	920-405-000	2	HEX. NUT M5
126	920-208-024	1	HEXAGONAL NUT M8x1	181	038-162-050	1	SPACER
127	038-245-010	1	OIL PUMP cpl.	201	038-153-020	1	CARBURETOR (CM3)
128	030-245-070	1	REPAIR KIT	202	038-153-030	1	PUMP COVER
129	001-245-140	1	ANGULAR NIPPLE	203	038-153-360	1	SCREW
130	038-245-110	1	OIL LINE	204	038-153-040	1	DIAPHRAGM COVER
131	038-245-030	1	PUMP DRIVE	205	001-153-020	4	SCREW
132	908-005-125	2	SCREW 5x12	206	038-153-060	1	SET DIAPHRAGM/GASKETS
133	038-224-020	1	DISC	207	038-153-070	1	PUMP DIAPHRAGM
134	038-245-060	1	OIL LINE	208	038-153-210	1	LOCKING BALL
135	038-245-020	1	SUCTION LINE OIL cpl.	209	038-153-220	1	IDLE STOP SCREW (S)
136	900-005-066	1	DISTANCE RING	210	028-153-180	1	SCREEN
137	963-601-100	1	STRAINER SCREEN	211	957-153-060	1	KIT THROTTLE SHAFT
138	001-182-041	1	GUIDE DISC	212	957-153-050	1	KIT CHOKE SHAFT
139	038-180-010	1	CLUTCH ASSY.	213	957-153-070	1	CONTROL PARTS
140	024-184-021	3	SPRING	214	038-153-260	2	SPRING
141	038-223-020	1	CLUTCH DRUM	218	038-153-310	1	LIMITER CAP
142	962-210-024	1	NEEDLE CAGE 10x16x12	219	038-153-290	1	IDLE ADJUSTMENT SCREW-L
143	119-224-070	1	RIM SPROCKET, T=3/8"	220	038-153-300	1	MAIN ADJUSTMENT SCREW-H
144	001-224-011	1	DISC	221	038-153-250	3	WASHER
145	021-224-010	1	DISC	222	038-153-320	1	ADJUSTING GUIDE
146	927-408-000	1	WASHER, D=8x1.3				
147	038-213-220	1	HAND GUARD cpl.				
148	980-114-237	1	LABEL				
149	908-405-205	1	SCREW 5x20				
150	038-213-160	1	BUSHING				
151	957-213-030	1	BRAKING MECHANISM				
152	927-304-000	1	WASHER 4				
153	908-005-206	1	SCREW 5x20				
154	038-213-150	1	POT				
155	038-213-130	1	SPRING				
156	038-213-200	1	FOAM SPONGE				
157	038-213-010	1	BRAKE SPRING				
158	915-135-100	1	SCREW BZ3.5x9.5				
159	038-213-040	1	PLATE				
160	915-135-100	1	SCREW BZ3.5x9.5				
161	038-111-030	1	GUIDE PLATE				
162	915-135-100	1	SCREW BZ3.5x9.5				
163	038-213-600	1	SPROCKET GUARD cpl.,blue				