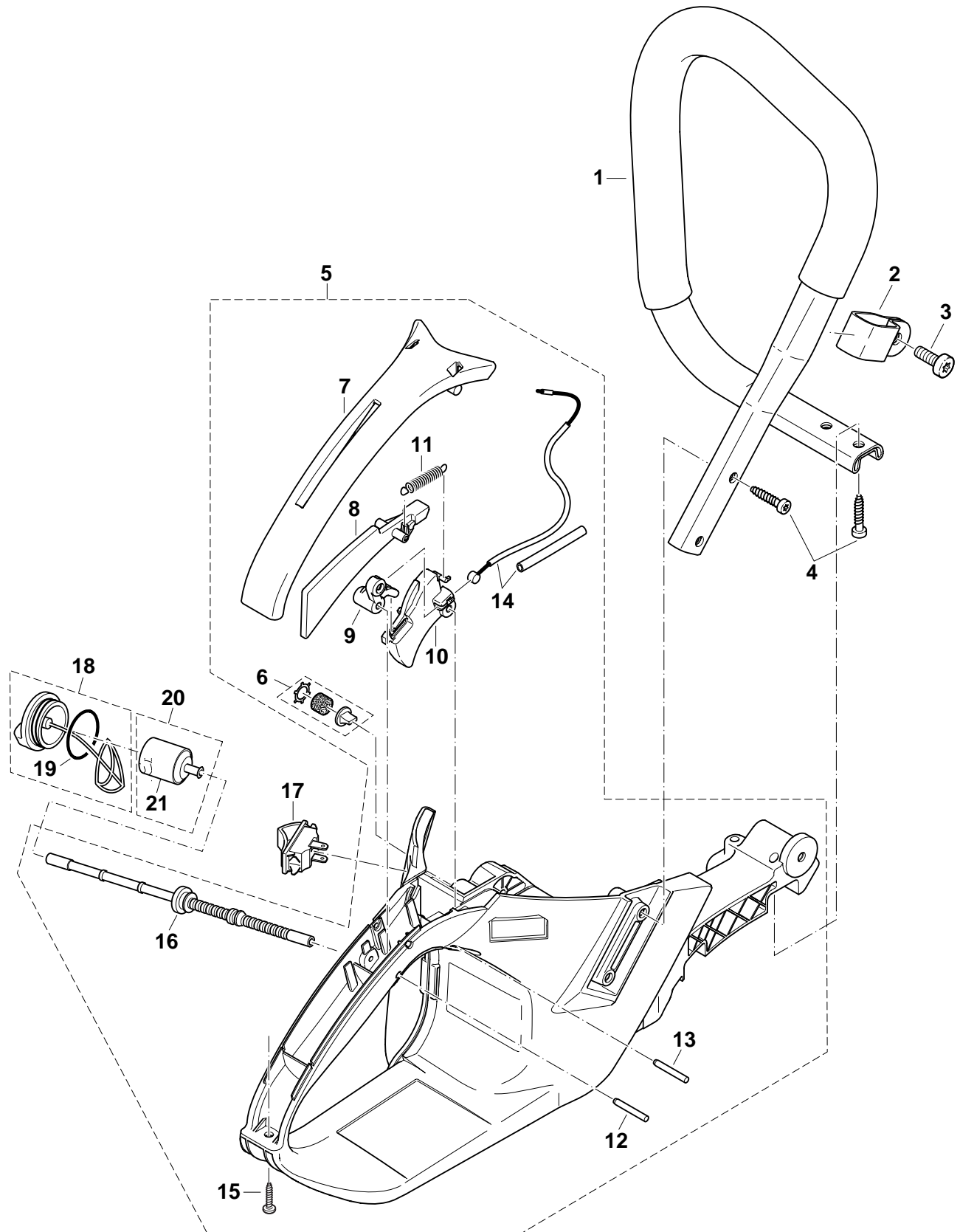


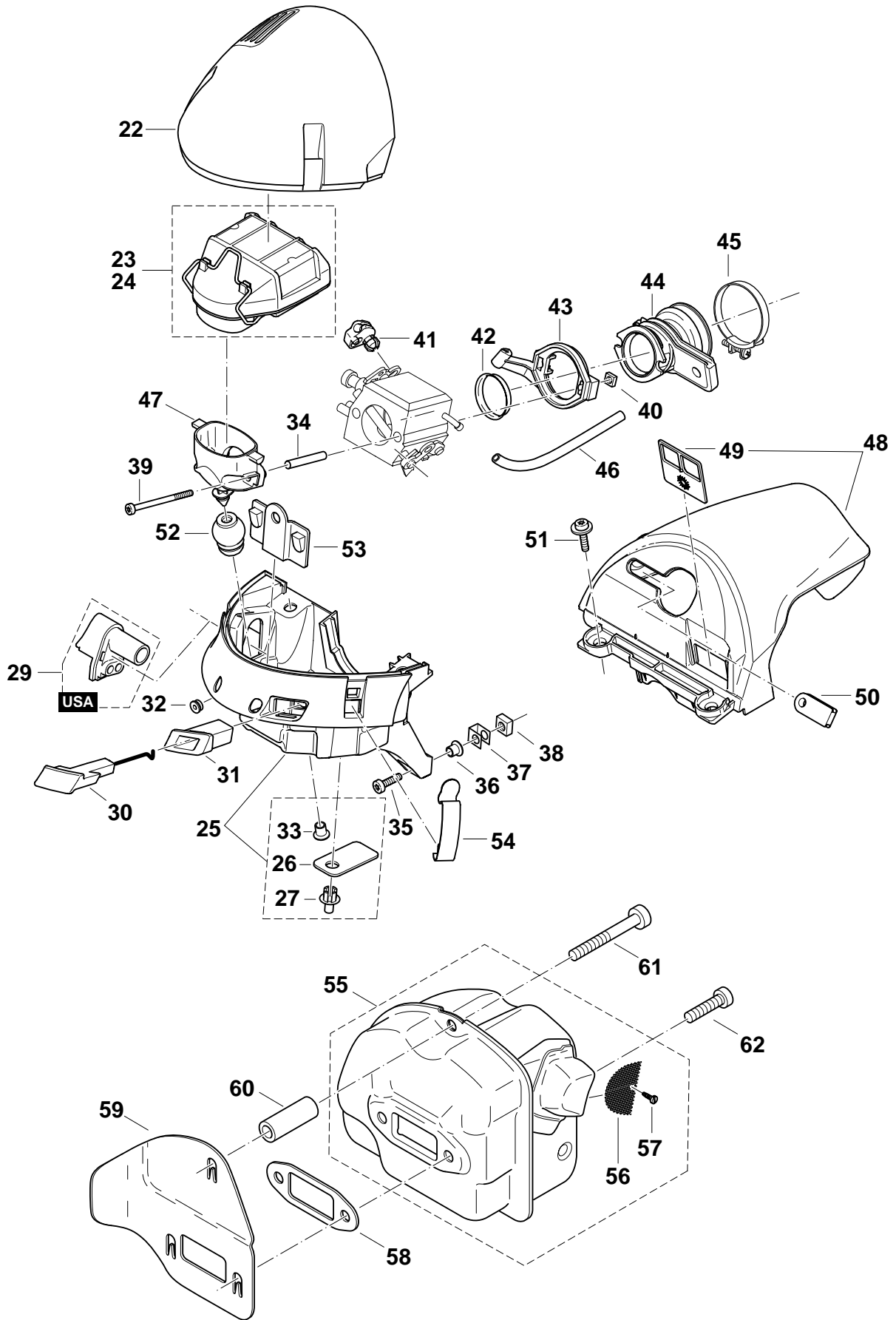
## **CONTENTS:**

- 1) Fuel tank, Tubular grip
- 2) Hood, Air filter, Muffler
- 3) Cylinder, Crankcase
- 4) Ignition electronics, Starter
- 5) Oil pump, Clutch
- 6) Chain brake
- 7) Carburetor
- 8) Accessories

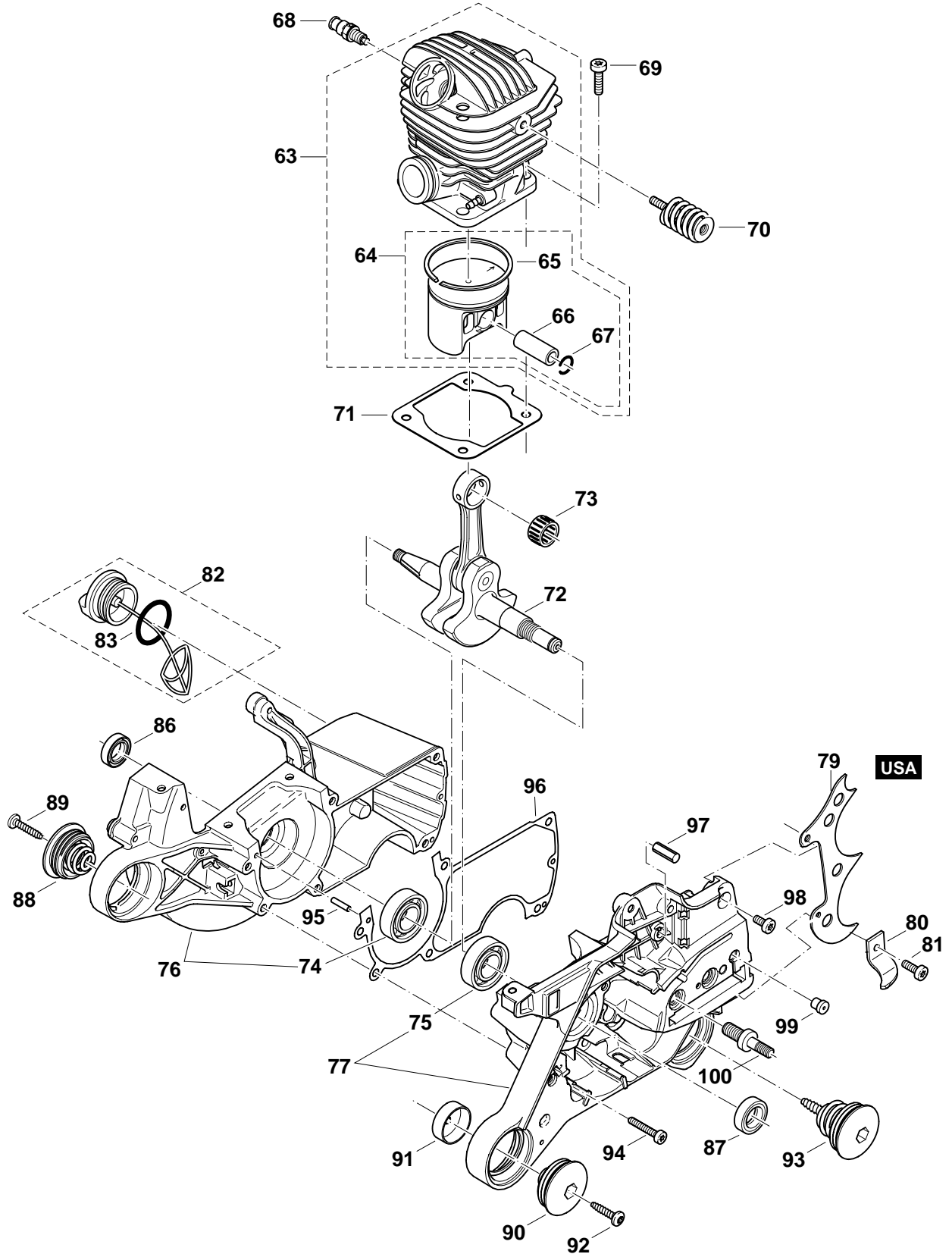
# 1) FUEL TANK, TUBULAR GRIP



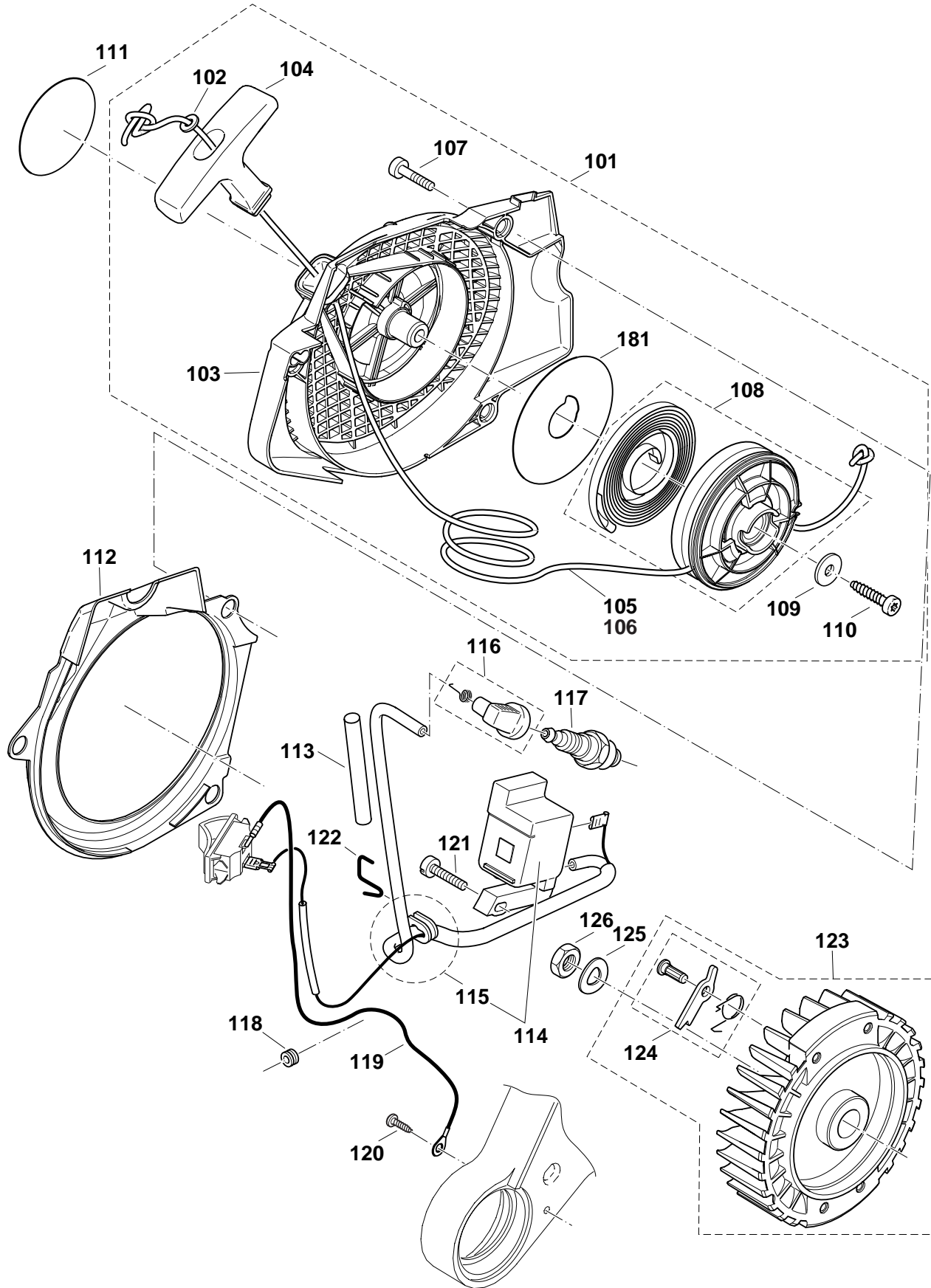
## 2) HOOD, AIR FILTER, MUFFLER



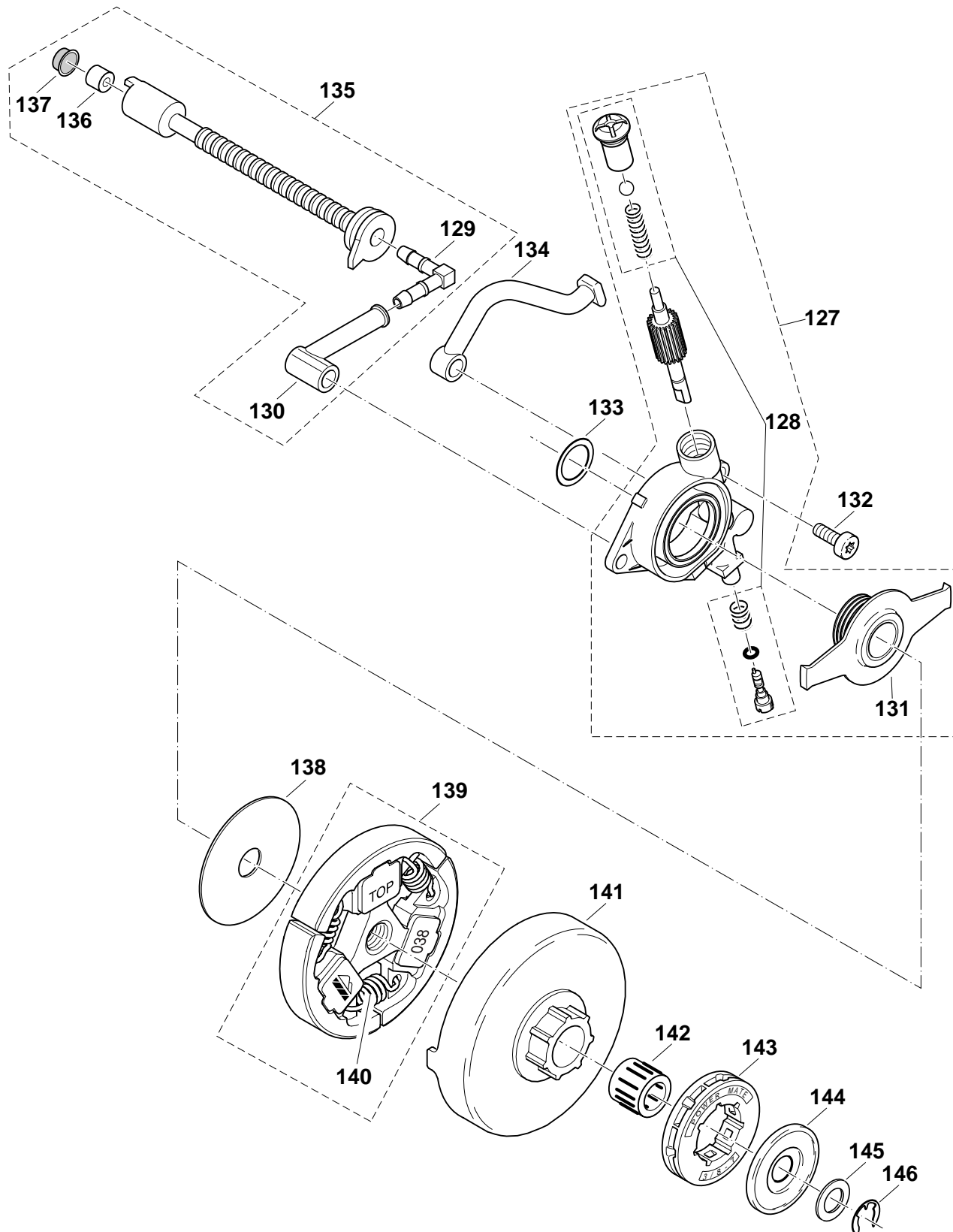
### 3) CYLINDER, CRANKCASE



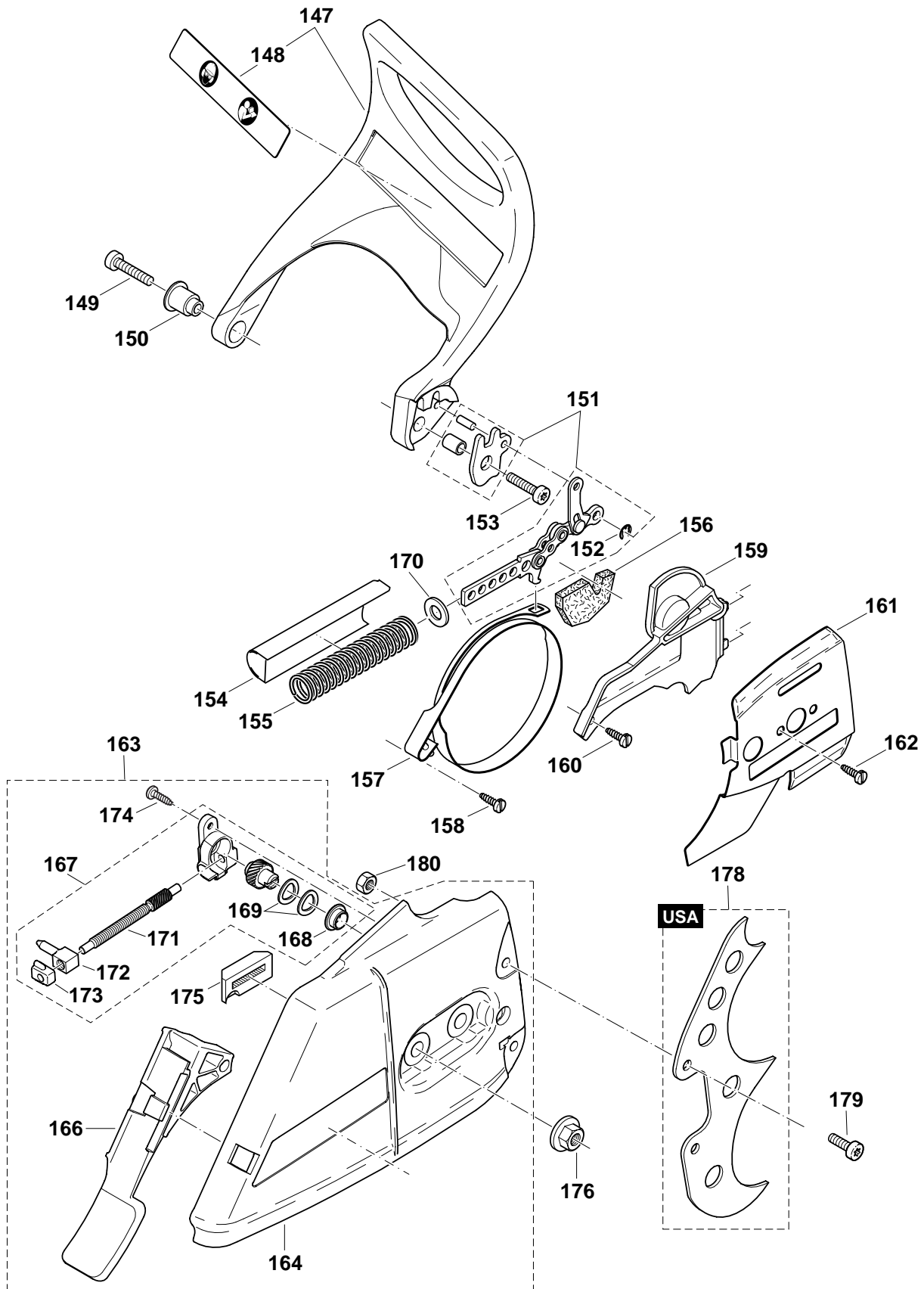
# 4) IGNITION ELECTRONICS, STARTER



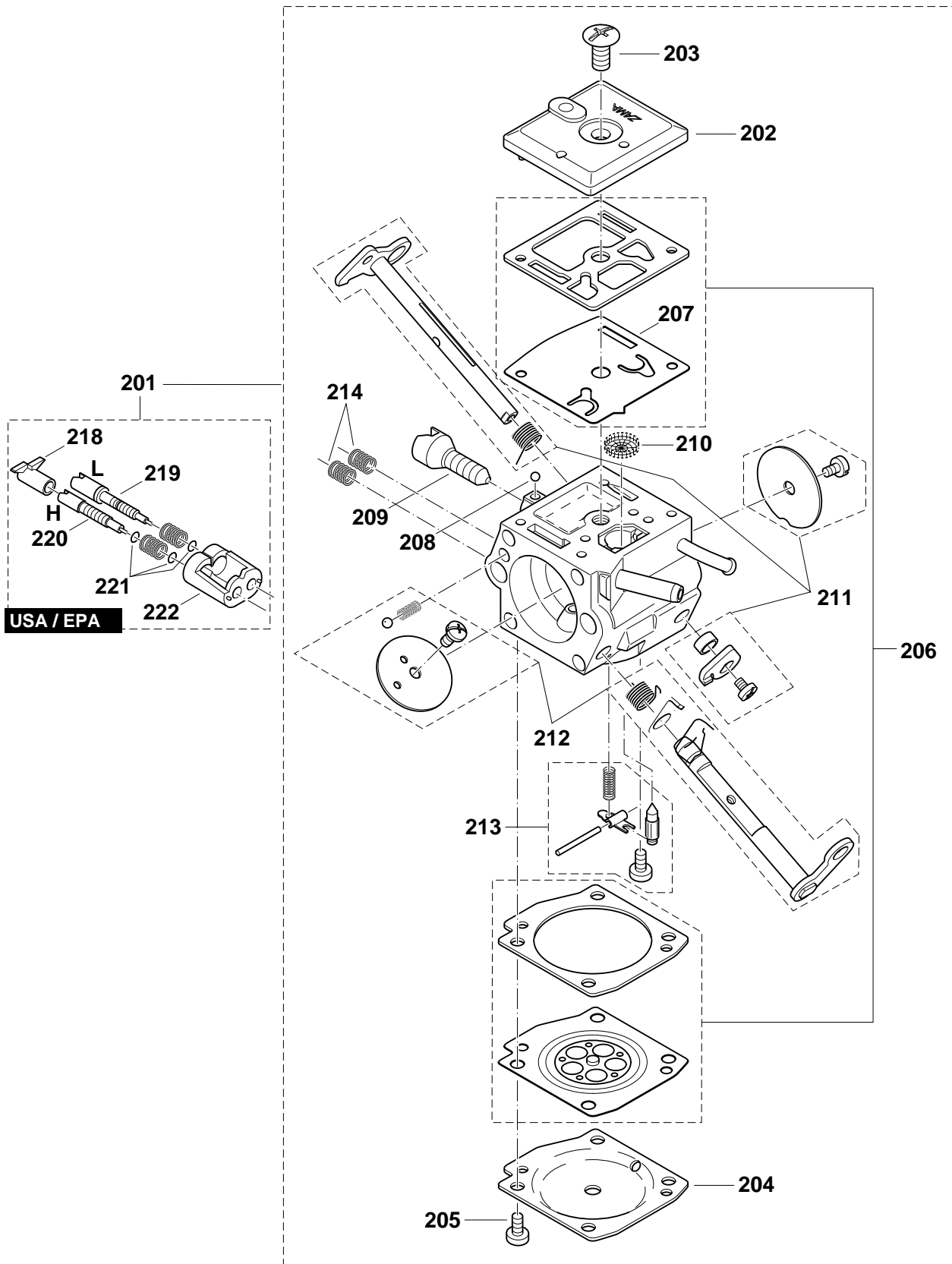
## 5) OIL PUMP, CLUTCH



# 6) CHAIN BRAKE

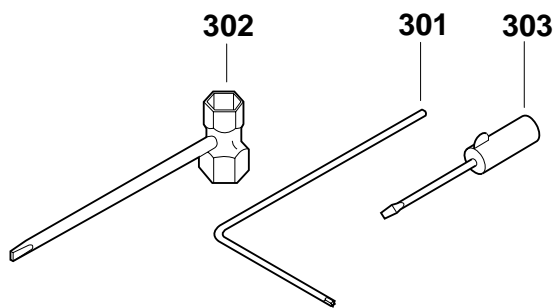
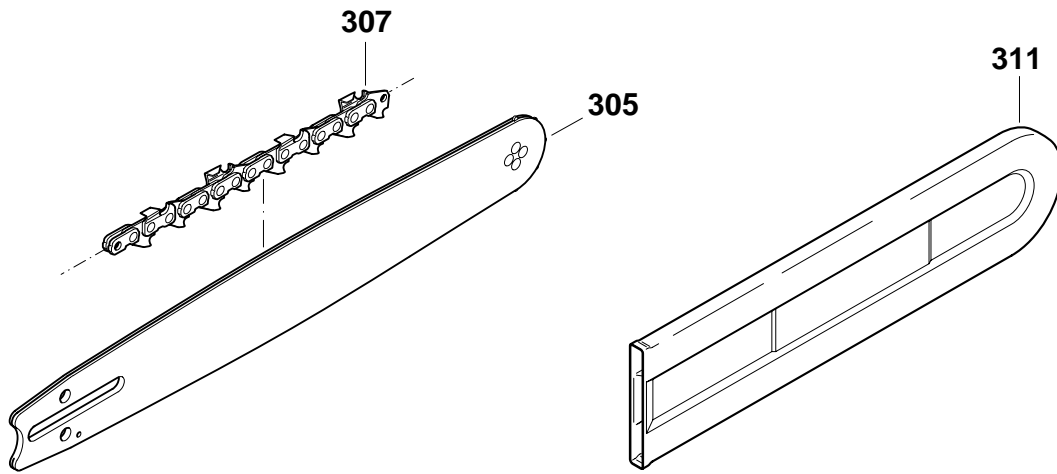


# 7) CARBURETOR





## 8) ACCESSORIES



Item No.	Part No.	Qty. Used	Description	Item No.	Part No.	Qty. Used	Description
1	038-310-020	1	TUBULAR HANDLE ASSY	55	038-174-200	1	MUFFLER
2	038-310-060	1	CLAMP	56	038-174-040	1	SPARK ARRESTOR SCREEN
3	908-006-145	1	SCREW 6x14	57	915-035-100	1	SCREW 3.5x10
4	913-455-204	4	SCREW 5.5x20	58	965-531-130	1	GASKET
5	038-114-600	1	TANK CPL.,BLUE	59	038-174-020	1	COVER PLATE
6	957-114-060	1	AIR VALVE CPL.(fuel)	60	038-174-030	1	CONNECTING LINK
7	038-114-630	1	GRIP PLATE, blue	61	908-305-405	1	SCREW M5x40
8	038-117-020	1	CATCH LEVER	62	908-405-205	2	SCREW M5x20
9	038-117-030	1	ROCKER	63	040-130-030	1	CYLINDER/PISTON cpl.
10	038-117-010	1	THROTTLE LEVER	64	325-132-031	1	PISTON cpl.
11	038-117-050	1	SPRING	65	325-132-050	1	PISTON RING (D=47)
12	935-930-240	1	CYLINDRICAL PIN 3x24	66	119-132-030	1	PISTON PIN
13	935-930-280	1	CYLINDRICAL PIN 3x28	67	119-132-060	2	SPRING RING C12x1
14	010-117-040	1	BOWDEN CABLE	68	001-131-150	1	DECOMPRESSION VALVE
15	913-340-204	1	SCREW 4x20 S27	69	908-005-205	4	SCREW 5x20
16	038-114-050	1	FUEL LINE	70	038-114-150	1	SPRING w/threaded insert
17	975-001-210	1	SHORT-CIRCUIT SWITCH	71	965-531-121	1	GASKET
18	010-114-050	1	TANK CAP cpl.	72	038-120-020	1	CRANKSHAFT cpl.
19	963-228-030	1	PACKING RING 28x3	73	962-210-019	1	NEEDLE CAGE
20	963-601-130	1	SUCTION HEAD	74	960-102-159	1	BALL BEARING 6202
21	963-601-240	1	FELT for SUCTION HEAD	75	960-102-179	1	BALL BEARING 6203 C4
22	038-118-620	1	COVER GREY	76	038-111-630	1	CRANCASE MAG.SIDE,blue
23	038-173-100	1	AIR FILTER cpl.	77	038-111-640	1	CRANKCASE CLUTCH SIDE, blue
24	038-173-010	1	AIR FILTER cpl.nylon	79	038-250-200	1	SPIKE BAR
25	038-118-630	1	BOTTOM, blue	80	038-111-080	1	CHAIN CATCH
26	038-118-110	2	RUBBER FLAP	81	908-005-165	1	SCREW 5x16
27	938-650-062	2	RIVET	82	010-114-050	1	TANK CAP cpl.
29	038-118-120	1	ADJUSTING GUIDE	83	963-228-030	1	PACKING RING 28x3
30	038-155-050	1	CHOKE SHAFT	86	962-900-052	1	RADIAL RING
31	038-155-020	1	CHOKE GUIDE	87	962-900-061	1	RADIAL RING 17x28x5/4
32	965-401-020	1	RUBBER BUSH	88	038-114-130	1	SPRING cpl.,w/cap
33	001-118-100	2	BUSHING	89	913-455-204	1	SCREW 5.5x20
34	038-155-060	2	SPACER L=30MM	90	038-114-130	1	SPRING cpl.,w/cap
35	908-005-205	2	SCREW 5x20	91	038-114-190	1	POT
36	001-118-100	2	BUSHING	92	913-455-204	1	SCREW
37	038-111-050	2	CLIP	93	038-114-140	1	SPRING cpl., w/cap
38	038-111-060	2	SQUARE NUT M5	94	908-005-305	6	SCREW 5x30
39	908-204-555	2	SCREW 4x55	95	936-430-160	2	SPIRAL CLAMPING PIN 3x16
40	921-804-004	2	SQUARE NUT M4	96	038-111-042	1	GASKET
41	038-155-010	1	RETAINING CLIP	97	934-660-250	1	SLOTTED PIN 6x24
42	038-131-030	1	INSERT for SUCTION HOSE	98	908-005-125	1	SCREW 5X12
43	038-171-041	1	FLANGE	99	010-245-030	1	VENT VALVE
44	038-131-010	1	SUCTION HOSE	100	038-232-010	2	BOLT
45	965-603-050	1	HOSE CLAMP	101	038-160-600	1	STARTER ASSY.,blue
46	965-452-380	1	TUBE,L=65	102	928-405-000	1	SPRING WASHER
47	038-171-010	1	CONNECTING MUFF	103	038-112-630	1	FAN HOUSING, blue
48	038-118-690	1	HOOD cpl., grey	104	001-161-010	1	STARTER GRIP
49	038-118-140	1	INSERT	105	108-164-020	1	STARTER ROPE,(L=980MM)
50	038-118-130	1	CABLE GUIDE	106	985-000-155	1	STARTER ROPE, (L=100M)
51	917-105-205	2	SCREW M5x20	107	908-605-205	3	SCREW M5x20
52	038-171-030	1	HOLDER	108	038-162-021	1	CABLE DRUM cpl.
53	038-118-100	1	PLUG	109	924-605-510	1	WASHER 5.5x18x1.6
54	038-118-071	2	STEEL CLIP	110	913-455-204	1	SCREW 5.5x20

