

IMPORTANT — To assure product SAFETY and RELIABILITY, repairs, maintenance or adjustments should be performed by MAKITA Service Centers or other qualified service organizations. Always use MAKITA replacement parts.

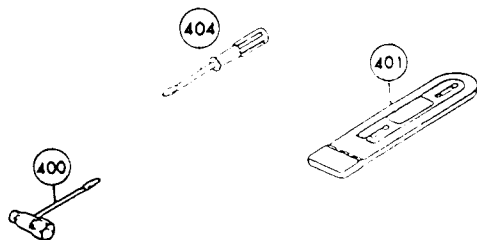
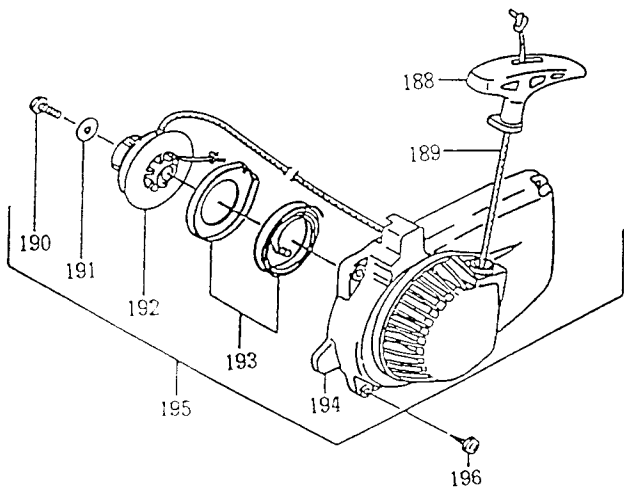
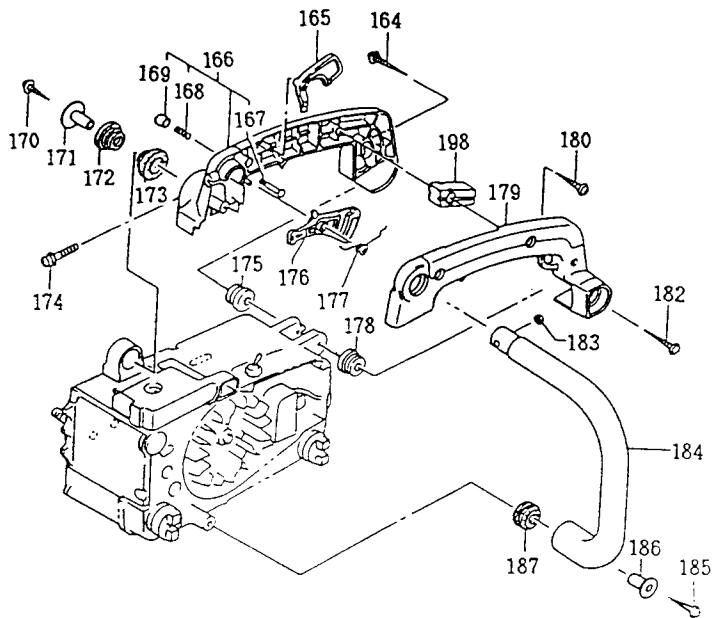
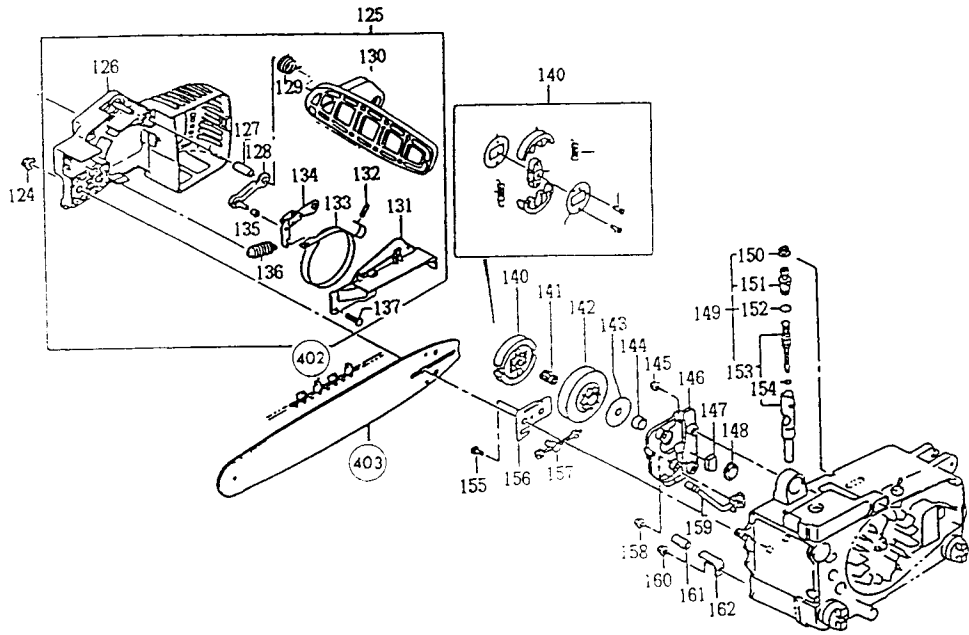


Fig.	Part No.	Qty. Used	Description	Fig.	Part No.	Qty. Used	Description
1	TN00000010	1	SPARK PLUG CAP	51	TN00000840	1	O-RING P-18
2	TN00001950	1	SPARK PLUG	52	TN00002410	1	ADJUSTING CAP
3	TN00000040	4	P. H. SCREW 5x16	53	TN00000860	1	RUBBER PLUG (f/choke rod)
4	TN00002390	1	CYLINDER SET	54	TN00000870	1	CHOKE BUTTON
5	TN00000050	1	CYLINDER PACKING	55	TN00000880	1	IDLE GROMMET
6	TN00002400	1	PISTON SET	56	TN00002070	1	TANK CAP Ass'y (Incl. 1 ea. TN00002050 Tank Cap Hook; 2ea. TN00002020 Ball Chain End; 1ea. TN00002030 Tank Cap Chain; 1ea. TN00002040 Tank Cap Hook & Fig. 57)
7	TN00000060	2	PISTON RING	57	TN00000890	1	O-RING P-20
8	TN00000080	1	PISTON PIN 9x30	61	TN00000791	1	RUBBER PIPE
9	TN00000090	2	RETAINING RING	62	TN00000710	1	CLIP
10	TN00000100	1	CRANKSHAFT (Incl. Fig. 11)	63	TN00000710	1	CLIP
11	TN00000110	1	NEEDLE BEARING	64	TN00000800	1	PUMP FILTER BODY
12	TN00000120	1	WOODRUFF KEY	65	TN00000410	1	SCREW
13	TN00000360	1	INSULATION TUBE	66	TN00001980	1	CLEANER COVER (A) Set (Incl. Fig. 65)
14	TN00000400	1	CORD	67	TN00000440	1	CLEANER ELEMENT
15	TN00000230	2	P. H. SCREW 4x18	68	TN00000430	1	CLEANER SPONGE
16	TN00000240	1	TAB	69	TN00002440	1	MUFFLER SET (Incl. Fig. 72 ~ 76)
17	TN00000250	1	IGNITION COIL	70	TN00000590	2	PAN HEAD SCREW 5x40
18	TN00000190	1	MAGNETOROTOR Ass'y (Incl. Fig. 19-21)	71	TN00000460	2	WASHER 5
19	TN00000200	2	CLAW	72	TN00002450	1	MUFFLER BODY (B)
20	TN00000210	2	CLAW SPRING	73	TN00002460	1	INNER MUFFLER
21	TN00000220	2	E-STOP RING 4	74	TN00000640	1	MUFFLER COUPLING PACKING
22	TN00000160	1	FLYWHEEL NUT	75	TN00000650	1	MUFFLER BODY (A)
23	TN00000170	1	SPRING WASHER 7	76	TN00000660	1	MUFFLER PACKING
24	TN00000180	1	WASHER 7	77	TN00000690	1	SEAL COVER
25	TN00000280	1	OIL SEAL	78	TN00000530	1	INSULATING PLATE Set (Incl. Fig. 79 ~ 83)
26	TN00000260	4	P. H. SCREW 5x20S	79	TN00000580	1	SUCTION PIPE PACKING
27	TN00000290	1	CRANKCASE PACKING	80	TN00000570	1	INSULATING PLATE (f/carburetor)
28	TN00000300	1	BALL BEARING 6201	81	TN00000550	1	REED HOLDER
29	TN00000130	1	SHIM 0.1	82	TN00000560	2	BIND SCREW 3x12
29	TN00000140	1	SHIM 0.2	83	TN00000540	1	REED VALVE
29	TN00000150	1	SHIM 0.3	84	TN00002420	1	CARBURETOR SET (Incl. Fig. 85, 96~102, 106~107, & 116~122)
30	TN00000270	1	CRANKCASE Ass'y (Incl. Fig. 25, 27-29, 31-33)	85	TN00000500	1	CARBURETOR PACKING
31	TN00000300	1	BALL BEARING 6201	86	TN00000470	1	CHOKE VALVE SHIM 0.8
32	TN00000310	1	NEEDLE ROLLER	87	TN00000450	1	P. H. SCREW 5x45S
33	TN00000280	1	OIL SEAL	88	TN00000470	1	CHOKE VALVE SHIM 0.8
34	TN00000390	1	GROUNDING CORD	89	TN00000460	1	WASHER 5
35	TN00000380	1	SWITCH PLATE	90	TN00000450	1	P. H. SCREW 5x45S
36	TN00000370	1	STOP SWITCH Ass'y	91	TN00001580	3	SCREW 4.5x14
37	TN00000350	1	H. S. H. BOLT 5x20	92	TN00002000	1	CLEANER COVER (B)
38	TN00000330	1	VENTILATING VALVE	93	TN00000480	1	CHOKE VALVE
39	TN00001960	1	ENGINE CASE Ass'y (Incl. Fig. 38 & 40)	94	TN00000510	2	H. S. H. BOLT 5x20S
40	TN00000340	1	TANK CAP (inside cap) Ass'y	95	TN00000520	2	WASHER 5
41	TN00000350	3	H. S. H. BOLT 5x20	96	TN00001240	4	SET SCREW
43	TN00000750	1	THROTTLE ROD	97	TN00001120	1	DIAPHRAGM COVER
44	TN00000760	1	THROTTLE GUIDE	98	TN00001130	1	METERING DIAPHRAGM
45	TN00000700	1	OIL PIPE (B)	99	TN00001140	1	DIAPHRAGM PACKING
46	TN00000710	1	CLIP	100	TN00001110	1	HINGE PIN
47	TN00000740	1	OIL FILTER BODY Ass'y (Incl. Fig. 48, 49)	101	TN00001080	1	CONTROL LEVER
48	TN00000460	1	WASHER 5	102	TN00001151	1	NEEDLE VALVE
49	TN00000730	1	OIL FILTER				
50	TN00002060	1	OIL TANK CAP Ass'y (Incl. 1ea. TN00002010 Oil Tank Cap Hook; 2 ea. TN00002020 Ball Chain End; & 1ea. Tank Cap Chain TN00002030; 1ea. TN00002040 Tank Cap Hook, & Fig. 51)				

Fig.	Part No.	Qty. Used	Description	Fig.	Part No.	Qty. Used	Description
106	TN00001090	1	HINGE PINE SET SCREW	157	TN00002150	1	CHAIN ADJUST SCREW
107	TN00001100	1	VALVE SPRING	158	TN00001580	2	SCREW 4.5x14
116	TN00001010	1	INLET SCREEN	159	TN00001350	1	OIL PIPE (A)
117	TN00001050	1	PUMP DIAPHRAGM	160	TN00000920	1	SCREW 5x14
118	TN00001040	1	PUMP PACKING	161	TN00001540	1	FUEL PIPE
119	TN00001020	1	PUMP BODY	162	TN00001550	1	CHAIN CATCHER
120	TN00001030	1	SET SCREW	164	TN00000920	1	SCREW 5x14
121	TN00001200	1	IDLE ADJUST SPRING	165	TN00001820	1	SAFETY LEVER
122	TN00001210	1	IDLE ADJUST SCREW	166	TN00001780	1	REAR HANDLE (B) (Incl. Fig. 167~169)
124	TN00001280	1	CHAIN BAR FIXING NUT	167	TN00001810	1	PUSH PIN
125	TN00002180	1	SIDE CASE Ass'y (Incl. Fig. 126 ~ 137)	168	TN00001800	1	STOPPER SPRING
126	TN00002200	1	SIDE COVER Ass'y	169	TN00001790	1	PUSH PIN CAP
127	TN00001670	1	SLEEVE (f/cleaner)	170	TN00001730	1	SCREW 5x40
128	TN00001630	1	REINFORCING PLATE (f/brake)	171	TN00001740	1	DAMPER COLLER (A)
129	TN00001700	1	BRAKE LEVER SPRING	172	TN00001750	1	DAMPER (A)
130	TN00001600	1	BRAKE HANDLE	173	TN00001750	1	DAMPER (A)
131	TN00002191	1	BRAKE LINK COVER	174	TN00001760	1	P. H. SCREW 4x30PS
132	TN00001640	1	NEEDLE ROLLER 3x9.8	175	TN00002250	1	DAMPER COMPLETE
133	TN00001660	1	BRAKE BAND	176	TN00001830	1	THOTTLE LEVER
134	TN00001650	1	BRAKE LINK	177	TN00001840	1	THROTTLE LEVER SPRING
135	TN00001680	1	COLLAR 7	178	TN00002250	1	DAMPER COMPLETE
136	TN00001620	1	BRAKE SPRING	179	TN00001850	1	REAR HANDLE (A)
137	TN00001710	3	HIGH-LOW SCREW 4x15	180	TN00001710	3	HIGH-LOW SCREW 4x15
140	TN00001290	1	CLUTCH (Incl. 2ea. TN00001440 Clutch Shoe; 1ea. TN00001450 Clutch Boss; 2ea. TN00001460 Clutch Spring; 2ea. TN00001470 Clutch Plate; 2ea. TN00001480 Rivet 4x14)	182	TN00000920	1	SCREW 5x14
141	TN00001300	1	NEEDLE BEARING	183	TN00001720	1	NYLON NUT 4
142	TN00002330	1	CLUTCH HOUSING	184	TN00001880	1	FRONT HANDLE
143	TN00001320	1	CLUTCH WASHER 2.0	185	TN00001860	1	SCREW 5x35
144	TN00001530	1	CRANKSHAFT COLLAR 7.7	186	TN00001900	1	DAMPER COLLAR (B)
145	TN00001330	2	P. H. SCREW 5x14	187	TN00001890	1	DAMPER (B)
146	TN00001340	1	OIL PUMP COVER	188	TN00000970	1	STARTER HANDLE
147	TN00001370	1	AIR VENT	189	TN00000950	1	ROPE 3x90
148	TN00001360	1	GEAR	190	TN00000920	1	SCREW 5x14
149	TN00001380	1	OIL PUMP Ass'y (Incl. Fig. 150 ~ 153)	191	TN00000930	1	BRAKE SHAFT WASHER 1.6
150	TN00001390	1	OIL ADJUST GROMMET	192	TN00000940	1	STARTER PULLEY
151	TN00001400	1	OIL PUMP ADJUSTER	193	TN00000960	1	SPIRAL SPRING CASE Ass'y
152	TN00001410	1	O-RING P-6	194	TN00000980	1	FAN CASE Ass'y
153	TN00001420	1	OIL PUMP CASE Set (Incl. Fig. 154)	195	TN00002080	1	RECOIL STARTER Ass'y (Incl. Fig. 188 ~ 194)
154	TN00001410	1	O-RING P-6	196	TN00000990	4	SCREW 4.5x20
155	TN00001490	1	HIGH-LOW SCREW 4x10	198	TN00002260	1	HANDLE WEIGHT
156	TN00001500	1	PLATE	199	TN00001970	1	BLIND CAP (A)
				200	TN00002470	1	MUFFLER WIRE
				ACCESSORIES			
				400	941-716-131	1	UNIVERSAL WRENCH
				401	952-100-643	1	CHAIN COVER
				402	522-092-052	1	14" CHAIN BLADE 3/8"
				403	443-035-661	1	14" GUIDE BAR
				404	TN00002480	1	DRIVER