

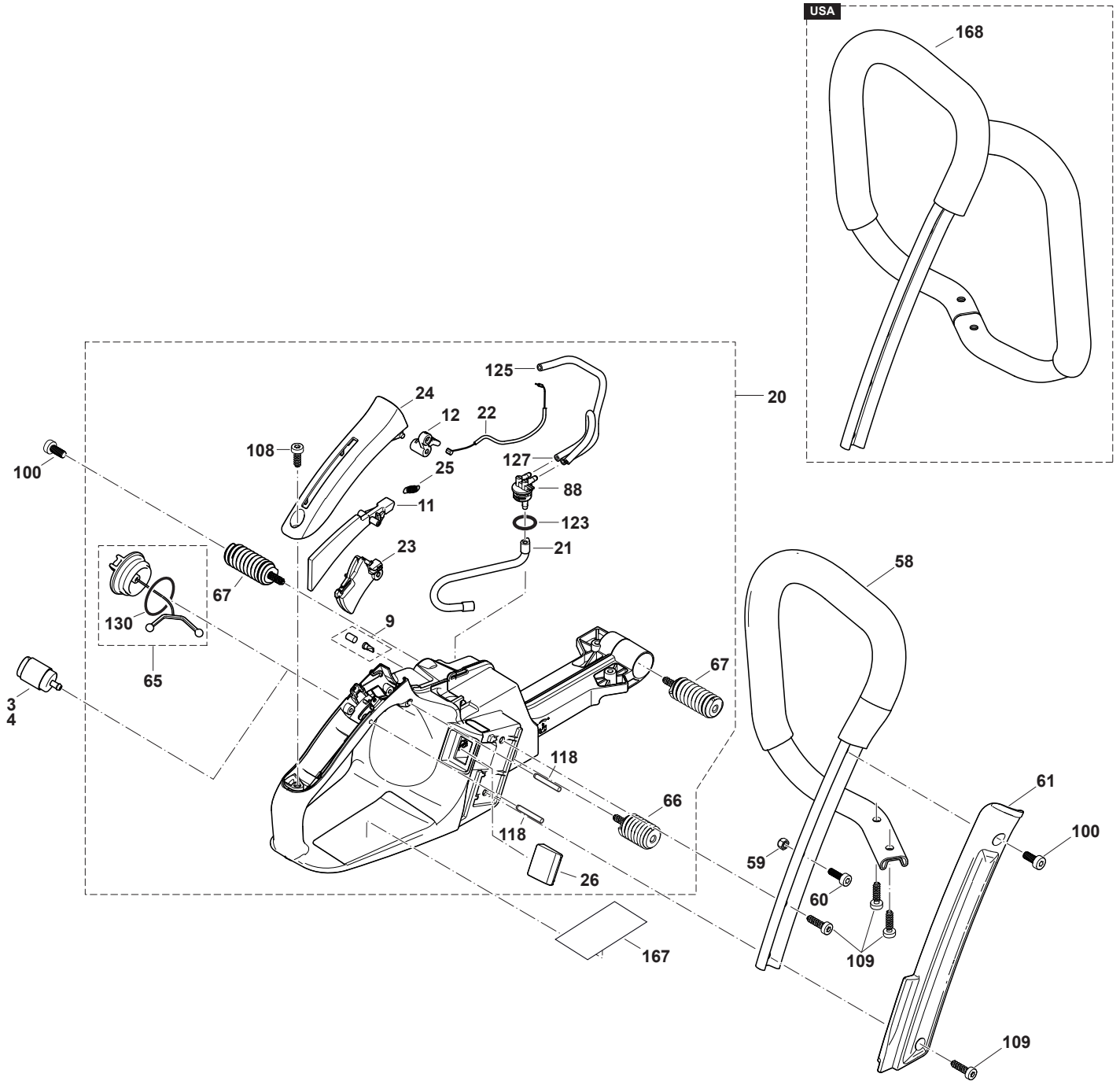


## **PARTS BREAKDOWN**

**EA6100P53G**

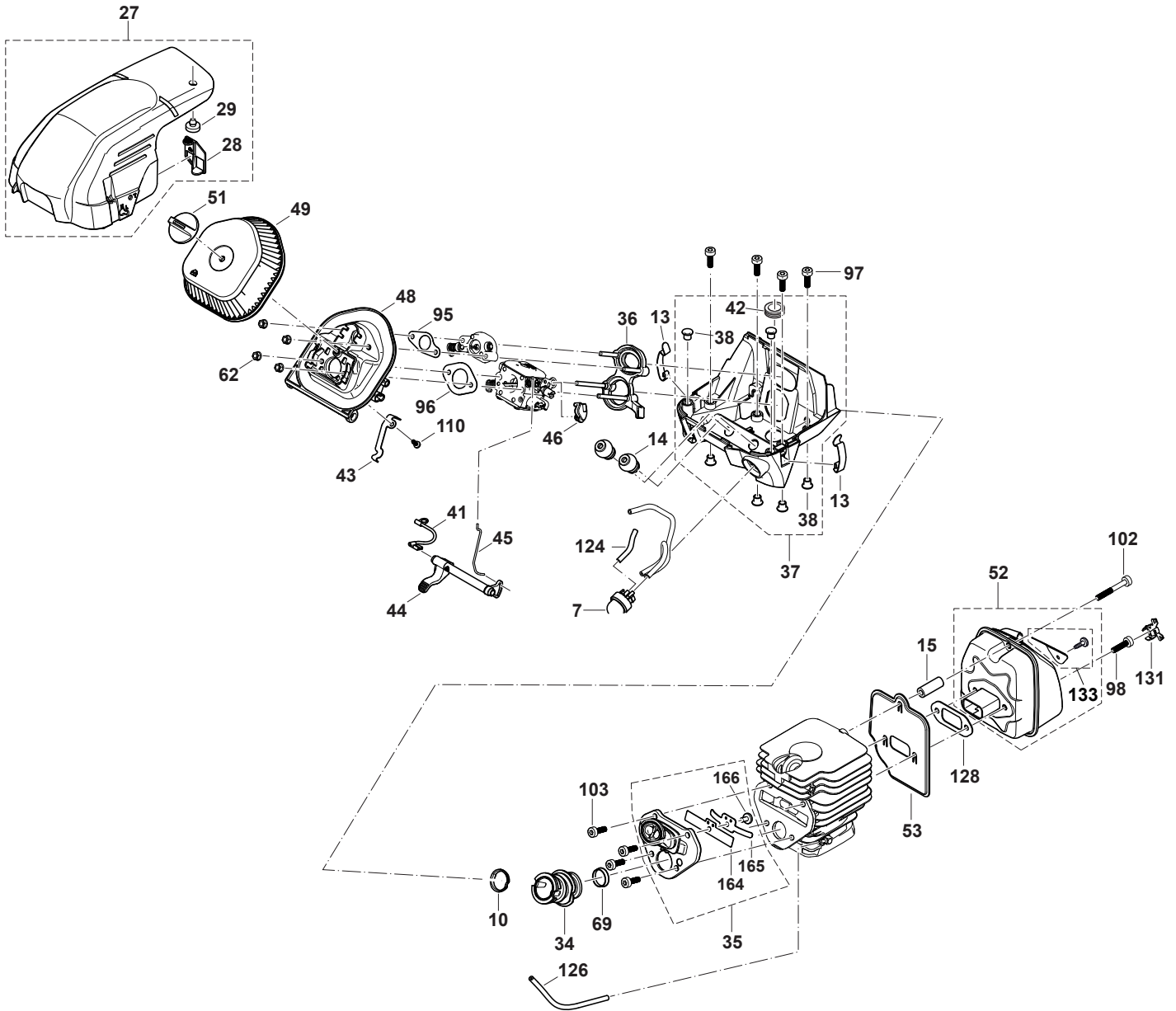
**PS-6100**

**PS-6100H**



Products with multiple versions are listed in subsiding order with the newest version on top not indented.

Section	Fig. No.	Part No.	Description	EA6100P53G	PS-6100	PS-6100H	Tech Bulletin	Notes
1 4		010-114-020	REP. KIT, FILTER (5 OF EACH)	1	1	1		FOR 010114010
1 4		010-114-010	SUCTION HEAD	1	1	1		
1 9		195762-4	AIR VALVE CPL.	1	1	1		
1 9	170-175-010		AIR VALVE CPL.	1	1	1		
1 11		038-117-020	CATCH LEVER	1	1	1		
1 12		038-117-030	ROCKER	1	1	1		
1 20		130-114-640	TANK CPL. BLUE	1	1	1		
1 20	130-114-600		TANK CPL. BLUE	1				
1 20		130-114-120	TANK CPL. RED		1			
1 21		130-114-050	FUEL LINE	1	1	1		
1 22		130-117-040	CONTROL CABLE	1	1	1		
1 23		130-117-010	THROTTLE LEVER	1	1	1		
1 24		130-117-050	GRIP OUTER SHELL	1	1	1		
1 25		130-117-060	TENSION SPRING	1	1	1		
1 26		130-148-650	COVER HANDLE HEATING	1	1	1		
1 58		130-310-100	TUBULAR HANDLE ASSY.	1	1	1		INC. 59, 60
1 59		920-405-000	HEXAGONAL NUT	1	1	1		M5
1 60		908-005-165	H.L. SOCKET HEAD BOLT	1	1	1		M5X16
1 61		130-310-650	COVER TUBULAR HANDLE, MAKITA	1				
1 61		130-310-050	COVER TUBULAR HANDLE, DOLMAR		1	1		
1 65		181-114-202	TANK CAP CPL.	2	2	2		
1 66		130-114-400	DAMPING SPRING CPL.	1	1	1		
1 67		181-114-301	DAMPING SPRING, CPL.	2	2	2		
1 88		195-114-060	FUEL NIPPLE	1	1	1		
1 100		908-006-145	SCREW	4	4	4		M6X14
1 108		913-455-164	SCREW	1	1	1		5,5X16
1 109		913-455-204	SCREW	4	4	4		5,5X20
1 118		935-930-280	CYLINDRICAL PIN	2	2	2		Ø3X28
1 123		213586-7	O RING	1	1	1		
1 123	963-211-020		O RING	1	1	1		11,5X2
1 125		965-452-660	TUBE	1	1	1		5,6/3MMX1M EPA CODE, RED L=160MM
1 127		965-452-090	TUBE	1	1	1		2,5/5,5MM X1M L=148MM
1 130		963-229-036	PACKING RING	2	2	2		29,3X3,6
1 168		130-310-350	WRAP AROUND HANDLE ASSY.	1	1	1		USA (INC. 59, 60)

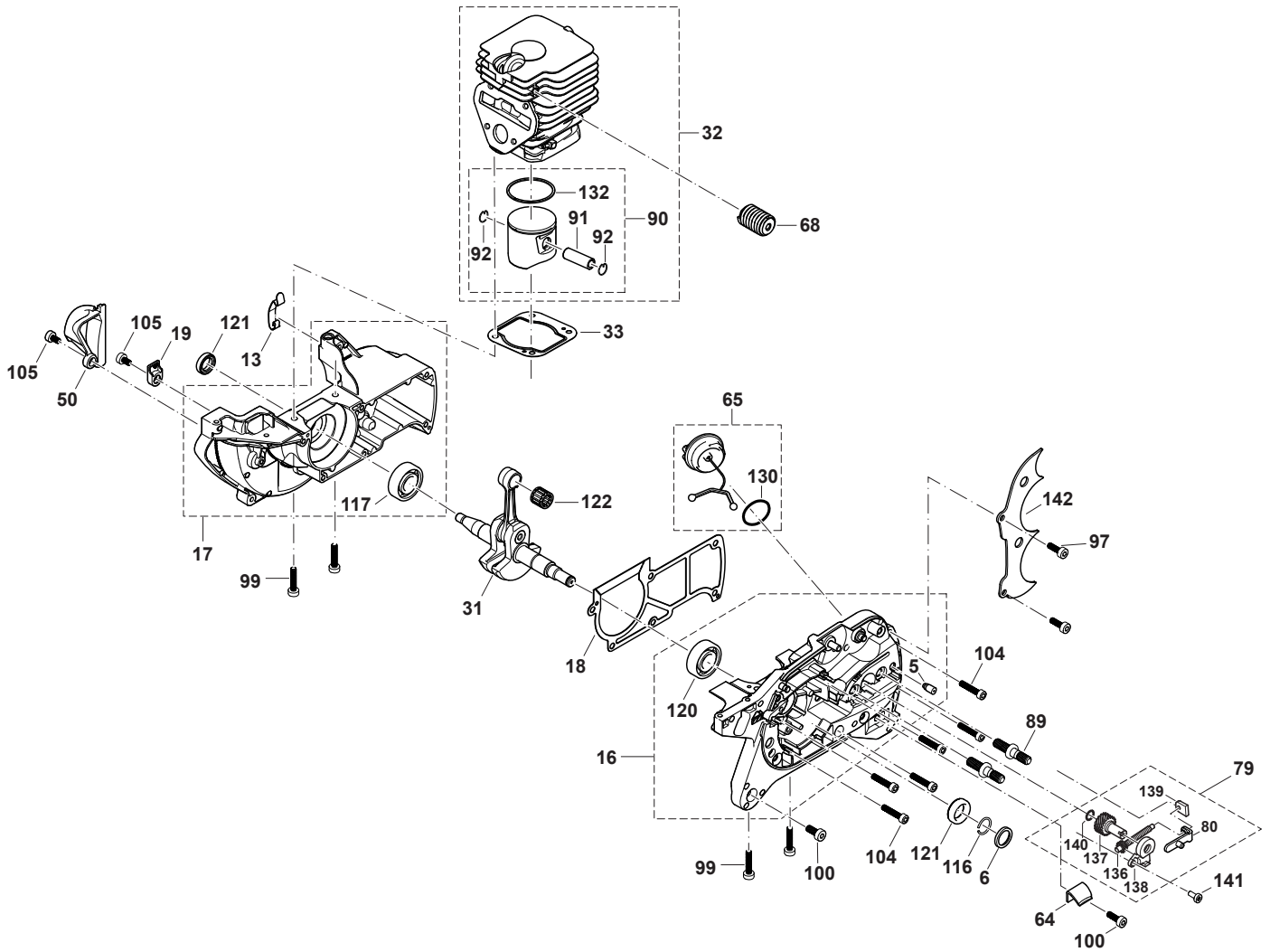


Products with multiple versions are listed in subsiding order with the newest version on top not indented.

Section	Fig. No.	Part No.	Description	EA6100P53G	PS-6100	PS-6100H	Tech Bulletin	Notes
2	7	130-153-500	PRIMER	1	1	1		PRIMER
2	10	130-131-020	INSERT FOR SUCTION HOSE	1	1	1		
2	13	130-118-070	STEELCLIP	3	3	3		
2	14	038-171-031	HOLDER	2	2	2		
2	14	038-171-030	HOLDER	2	2	2		
2	15	038-174-030	CONNECTING LINK	1	1	1		L=26,8MM
2	27	130-118-600	HOOD CPL.	1	1	1		
2	28	130-118-140	INSERT SUMMER / WINTER	1	1	1		
2	29	965-402-360	RUBBER BUFFER	1	1	1		
2	34	130-131-032	SUCTION HOSE	1	1	1		
2	34	130-131-031	SUCTION HOSE	1	1	1		
2	35	130-131-161	AIR HOSE CPL.	1	1	1		
2	35	130-131-160	AIR HOSE CPL.	1	1	1		
2	36	130-131-070	FLANGE RING	1	1	1		
2	37	130-131-995	CARBURETOR HOUSING BLUE ASSY.	1			2014-09	
2	37	130-131-600	CARBURETOR HOUSING BLUE ASSY.	1				
2	37	130-131-900	CARBURETOR HOUSING RED ASSY.		1		2014-09	
2	37	130-131-100	CARBURETOR HOUSING RED ASSY.		1	1		
2	38	001-118-100	BUSHING	6	6	6		
2	41	130-147-020	EARTH CABLE	1	1	1		
2	42	965-401-035	RUBBER GROMMETT 19.5MM	1	1	1	2014-09	
2	43	130-155-010	CONTACT SPRING	1	1	1		
2	44	130-155-020	CHOKE LEVER	1	1	1		
2	45	130-155-040	CHOKE SHAFT	1	1	1		
2	46	175-155-082	BOWDEN CABLE FIXTURE	1	1	1		
2	48	130-171-010	INTAKE MANIFOLD	1	1	1		
2	49	130-173-010	AIR FILTER	1	1	1		POLYESTER
2	51	130-173-060	CLAMPING BOLT	1	1	1		
2	52	130-174-100	MUFFLER CPL.	1	1	1		
2	53	130-174-090	COOLING PLATE	1	1	1		
2	62	175-131-300	HEXAGONAL NUT WITH COLLAR	4	4	4		
2	69	130-131-050	INSERT	1	1	1		
2	95	315-155-010	GASKET AIR VALVE	1	1	1		

Products with multiple versions are listed in subsiding order with the newest version on top not indented.

Section	Fig. No.	Part No.	Description	EA6100P53G	PS-6100	PS-6100H	Tech Bulletin	Notes
2	96	315-155-020	GASKET INTAKE MANIFOLD	1	1	1		
2	97	908-005-165	H.L. SOCKET HEAD BOLT	7	7	7		M5X16
2	98	908-005-205	SCREW	2	2	2		M5X20
2	102	908-305-405	H.L. SOCKET HEAD BOLT	1	1	1		M5X40
2	103	908-405-145	SCREW	4	4	4		M5X14
2	110	915-735-100	SCREW	1	1	1		3,5X10
2	124	965-452-090	TUBE	1	1	1		2,5/5,5MM X1M L=60MM
2	126	965-452-090	TUBE	1	1	1		2,5/5,5MM X1M L=148MM
2	128	395-174-120	GASKET	1	1	1		
2	131	038-174-451	PLUG FOR MUFFLER TUBE	2	2	2		
2	133	130-174-150	SPARK ARRESTER SCREEN CPL.	1	1	1		
2	164	315-179-010	VALVE STOPPER	1	1	1		
2	165	315-179-021	REED VALVE	1	1	1		
2	166	908-004-085	SCREW	1	1	1		M4X8 INNEN6RD S LK



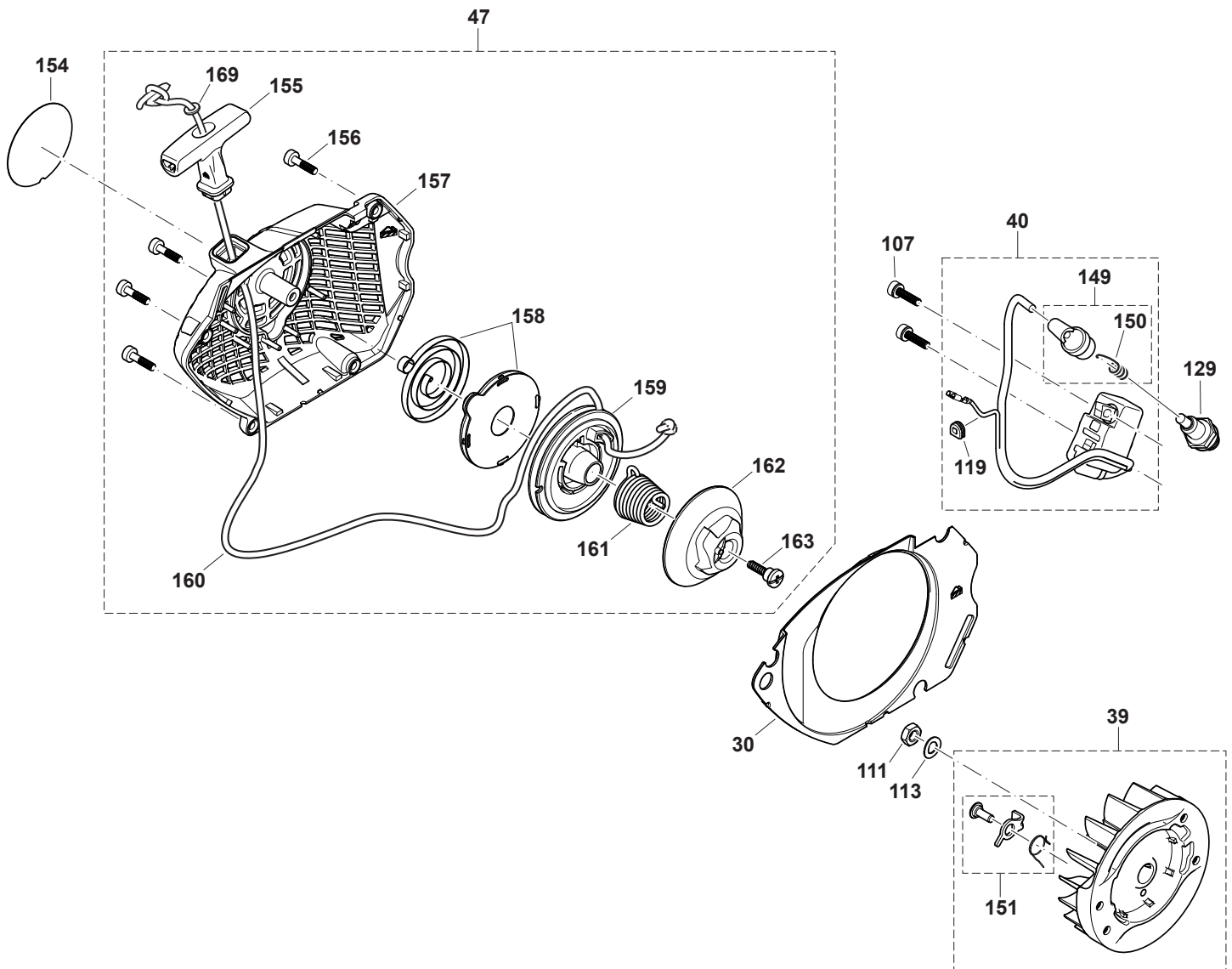
Products with multiple versions are listed in subsiding order with the newest version on top not indented.

Section	Fig. No.	Part No.	Description	EA6100P53G	PS-6100	PS-6100H	Tech Bulletin	Notes
3 5		168504-9	VENT VALVE	1	1	1		
3 5		010-245-030	VENT VALVE	1	1	1		
3 6		394-245-010	STOP RING	1	1	1		
3 13		130-118-070	STEELCLIP	3	3	3		
3 16		130-111-610	CRANKCASE CL. SIDE ASSY., BLUE	1				
3 16		130-111-110	CRANKCASE CL. SIDE ASSY., RED		1	1		
3 17		130-111-620	CRANKCASE MAGNETO-SIDE ASSY. BLUE	1				
3 17		130-111-120	CRANKCASE MAGNETO-SIDE ASSY. RED		1	1		
3 18		130-111-070	CRANK CASE GASKET	1	1	1		
3 19		130-111-090	CLAMP	1	1	1		
3 31		130-120-102	CRANKSHAFT COMPLETE	1	1	1		
3 32		130-131-150	CYLINDER / PISTON CPL.	1	1	1		Ø 47MM
3 33		315-131-020	GASKET	1	1	1		
3 50		130-173-080	SUCTION PIPE	1	1	1		
3 57		130-250-020	SPIKE BAR	1	1	1		
3 64		181-111-050	CHAIN CATCH	1	1	1		
3 65		181-114-202	TANK CAP CPL.	2	2	2		
3 68		181-114-401	DAMPING SPRING, CPL.	1	1	1		
3 79		130-213-150	CHAIN TENSIONER CPL.	1	1	1		PROFI
3 80		130-213-240	TENSION SLIDE	1	1	1		PROFI
3 89		195-232-010	BOLT	2	2	2		M8
3 90		315-132-101	PISTON CPL.	1	1	1		D47
3 91		315-132-050	PISTON PIN	1	1	1		
3 92		315-132-040	CIRCLIP	2	2	2		11
3 97		908-005-165	H.L. SOCKET HEAD BOLT	7	7	7		M5X16
3 99		908-005-255	PAN HEAD ALLEN SCREW	4	4	4		M5X25
3 100		908-006-145	SCREW	4	4	4		M6X14
3 104		908-405-255	SCREW	6	6	6		M5X25
3 105		908-005-095	SCREW	2	2	2		M5X9
3 116		930-916-160	SPRING RING	1	1	1		
3 120		960-102-152	BALL BEARING (USE GLUE)	1	1	1		6202
3 120		960-102-152	BALL BEARING (USE GLUE)	1	1	1		6202



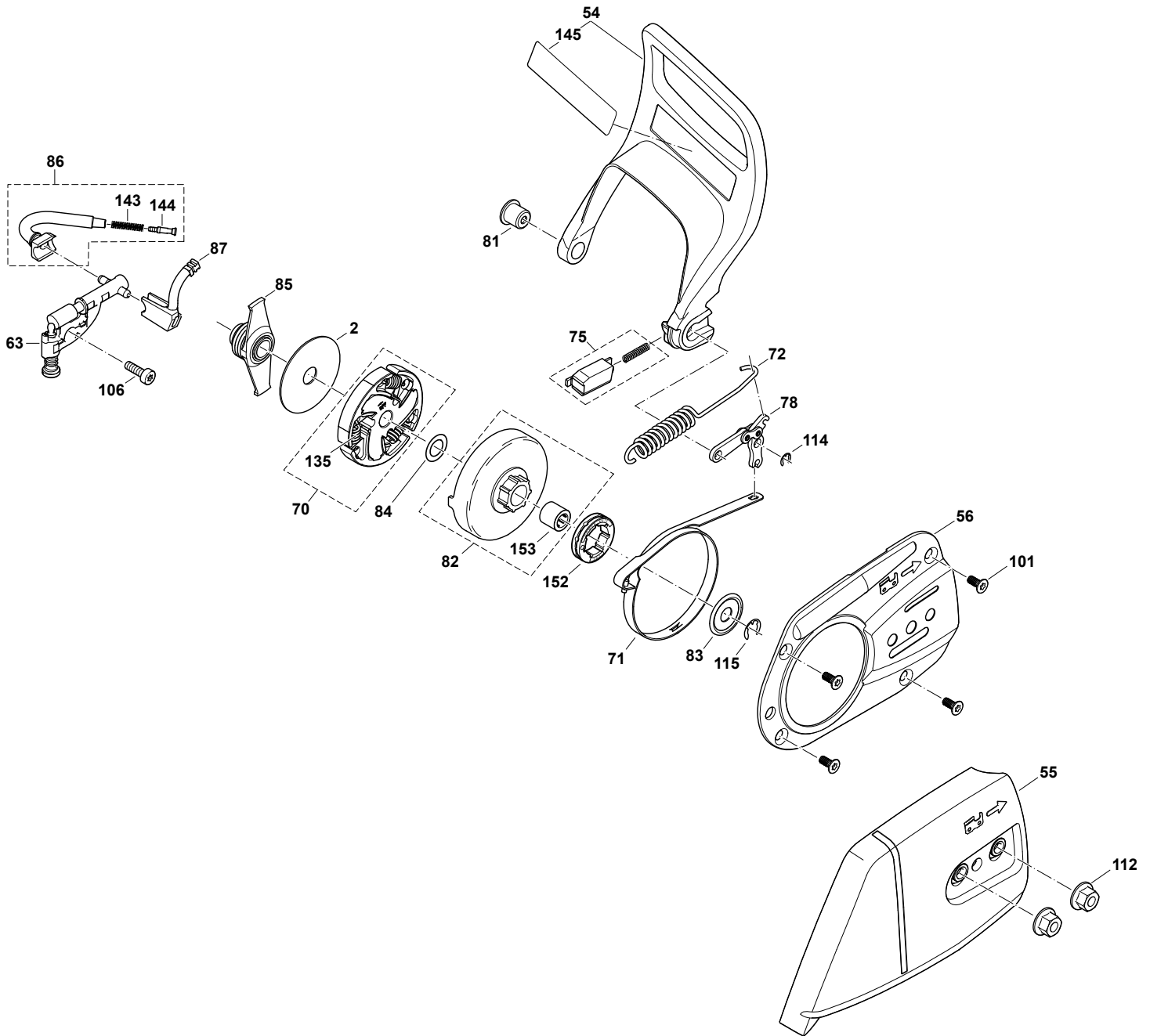
Products with multiple versions are listed in subsiding order with the newest version on top not indented.

Section	Fig. No.	Part No.	Description	EA6100P53G	PS-6100	PS-6100H	Tech Bulletin	Notes
3	121	962-900-052	RADIAL RING	2	2	2		Ø15/24X7
3	122	962-210-111	NEEDLE CAGE	1	1	1		
3	130	963-229-036	PACKING RING	2	2	2		29,3X3,6
3	132	315-132-020	PISTON RING	1	1	1		D47
3	136	181-213-230	TENSIONING SCREW	1	1	1		PROFI
3	137	181-213-250	ADJUSTING SCREW	1	1	1		PROFI
3	138	181-213-270	TRANSMISSION COVER	1	1	1		PROFI
3	139	181-213-260	TENSIONING SCREW BEARING	1	1	1		
3	140	963-207-020	PACKING RING	1	1	1		7X2
3	141	908-705-125	SCREW	1	1	1		M5X12
3	142	130-250-020	SPIKE BAR	1	1	1		USA



Products with multiple versions are listed in subsiding order with the newest version on top not indented.

Section	Fig. No.	Part No.	Description	EA6100P53G	PS-6100	PS-6100H	Tech Bulletin	Notes
4	30	130-118-040	AIR GUIDE PLATE	1	1	1		
4	39	130-141-100	FLYWHEEL CPL.	1	1	1		
4	40	130-143-100	IGNITION COIL COMPLETE	1	1	1		
4	47	130-160-600	STARTER ASSY., BLUE	1				
4	47	130-160-100	STARTER ASSY., RED		1	1		
4	107	908-805-205	SCREW	2	2	2		M5X20
4	111	920-308-024	HEXAGONAL NUT	1	1	1		M8X1
4	113	267822-3	SPRING WASHER	1	1	1		
4	113	926-208-001	SPRING WASHER	1	1	1		B8
4	119	965-401-016	RUBBER BUSH	1	1	1		
4	129	965-603-021	SPARK PLUG	1	1	1		
4	149	957-604-260	SPARK PLUG CAP CPL.	1	1	1		
4	150	965-604-180	SPRING	1	1	1		
4	151	130-141-150	STARTER RATCHET CPL.	2	2	2		
4	154	980-115-856	LABEL	1				EA6100P
4	154	980-115-765	LABEL		1	1		PS-6100
4	155	181-164-010	STARTER KNOB	1	1	1		
4	156	908-005-205	SCREW	4	4	4		M5X20
4	157	130-160-630	STARTER ASSY. BLUE	1				
4	157	130-160-130	STARTER ASSY., RED		1	1		
4	158	181-163-050	REWIND SPRING IN HOUSING	1	1	1		
4	159	315-162-020	CABLE DRUM	1	1	1		
4	160	181-164-020	STARTER ROPE	1	1	1		Ø 3,5 X 1000 MM
4	161	181-163-080	SPRING EASY-START	1	1	1		
4	162	315-163-090	STARTER WHEEL	1	1	1		
4	163	181-163-095	SCREW	1	1	1		



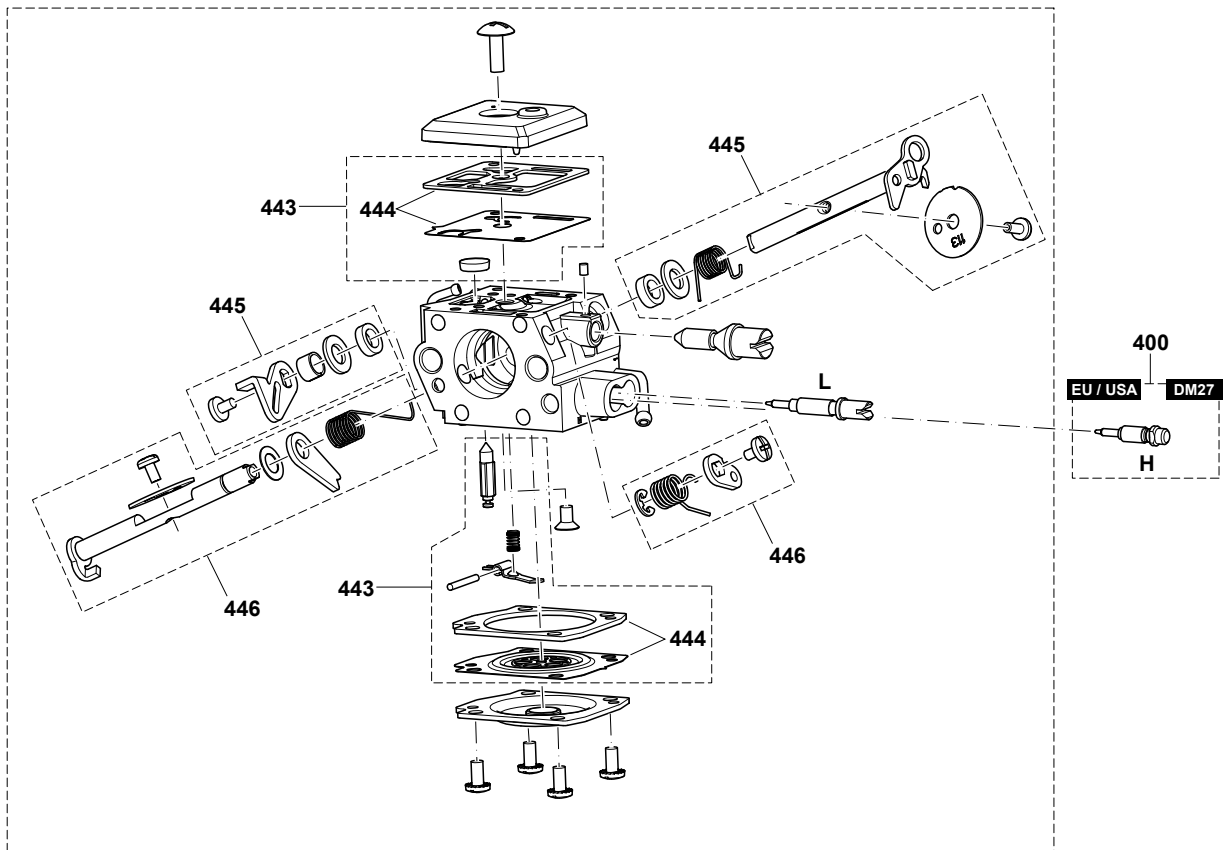
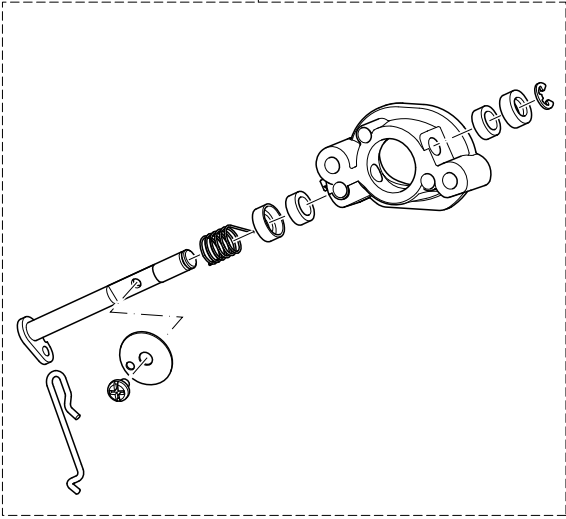
Products with multiple versions are listed in subsiding order with the newest version on top not indented.

Section	Fig. No.	Part No.	Description	EA6100P53G	PS-6100	PS-6100H	Tech Bulletin	Notes
5 2		001-182-042	DISC	1	1	1		44,5X1X12
5 54		130-213-220	HAND GUARD CPL.	1	1	1		USA
5 55		130-213-600	SPROCKET GUARD CPL. BLUE	1				
5 55		130-213-100	SPROCKET GUARD CPL. RED		1	1		
5 56		130-213-190	CHAIN BRAKE COVER	1	1	1		
5 63		161346-0	OIL PUMP CPL.	1	1	1		
5 63		179-245-202	OIL PUMP CPL.	1	1	1		
5 63		179-245-201	OIL PUMP CPL.	1	1	1		
5 70		175-180-101	CLUTCH ASSY.	1	1	1		
5 71		181-213-011	BRAKE SPRING	1	1	1		
5 72		181-213-023	TENSION SPRING	1	1	1		
5 75		181-213-170	HANDGUARD GUIDE, CPL.	1	1	1		
5 78		163500-2	BRAKING MECHANISM	1	1	1		
5 78		181-213-100	BRAKING MECHANISM	1	1	1		
5 81		181-213-320	BUSHING	1	1	1		
5 82		181-223-062	CLUTCH DRUM CPL.	1	1	1		SMALL
5 83		181-224-081	DISC	1	1	1		
5 84		181-224-090	SHIM	1	1	1		10X18X0,5
5 85		181-245-090	PUMP DRIVE	1	1	1		
5 86		181-245-100	SUCTION LINE	1	1	1		
5 87		181-245-120	PRESSURE LINE	1	1	1		
5 101		908-105-124	SCREW	4	4	4		M5X12
5 106		908-705-125	SCREW	1	1	1		M5X12
5 112		923-208-004	HAXAGONAL NUT	2	2	2		M8
5 114		927-304-000	SAFETY WASHER	1	1	1		
5 115		927-408-000	WASHER	1	1	1		D=8X1,3
5 135		024-184-021	SPRING	3	3	3		
5 143		231975-4	SPRING	1	1	1		
5 143		021-245-060	SPRING	1	1	1		
5 144		001-245-020	HOSE STEM	1	1	1		
5 145		185-114-237	LABEL	1	1	1		
5 145		980-115-897	CAUTION LABEL	1	1	1		
5 145		980-115-808	CAUTION LABEL	1	1	1		US WARNING SPARKS

Products with multiple versions are listed in subsiding order with the newest version on top not indented.

Section	Fig. No.	Part No.	Description	EA6100P53G			Tech Bulletin	Notes
				EA6100P53G	PS-6100	PS-6100H		
5	152	181-224-040	RIM SPROCKET	1	1	1		325", Z=7, SM
5	152	026-224-010	RIM SPROCKET	1	1	1		3/8", Z=7, SM
5	153	962-300-009	NEEDLE SLEEVE	1	1	1		10/14X12

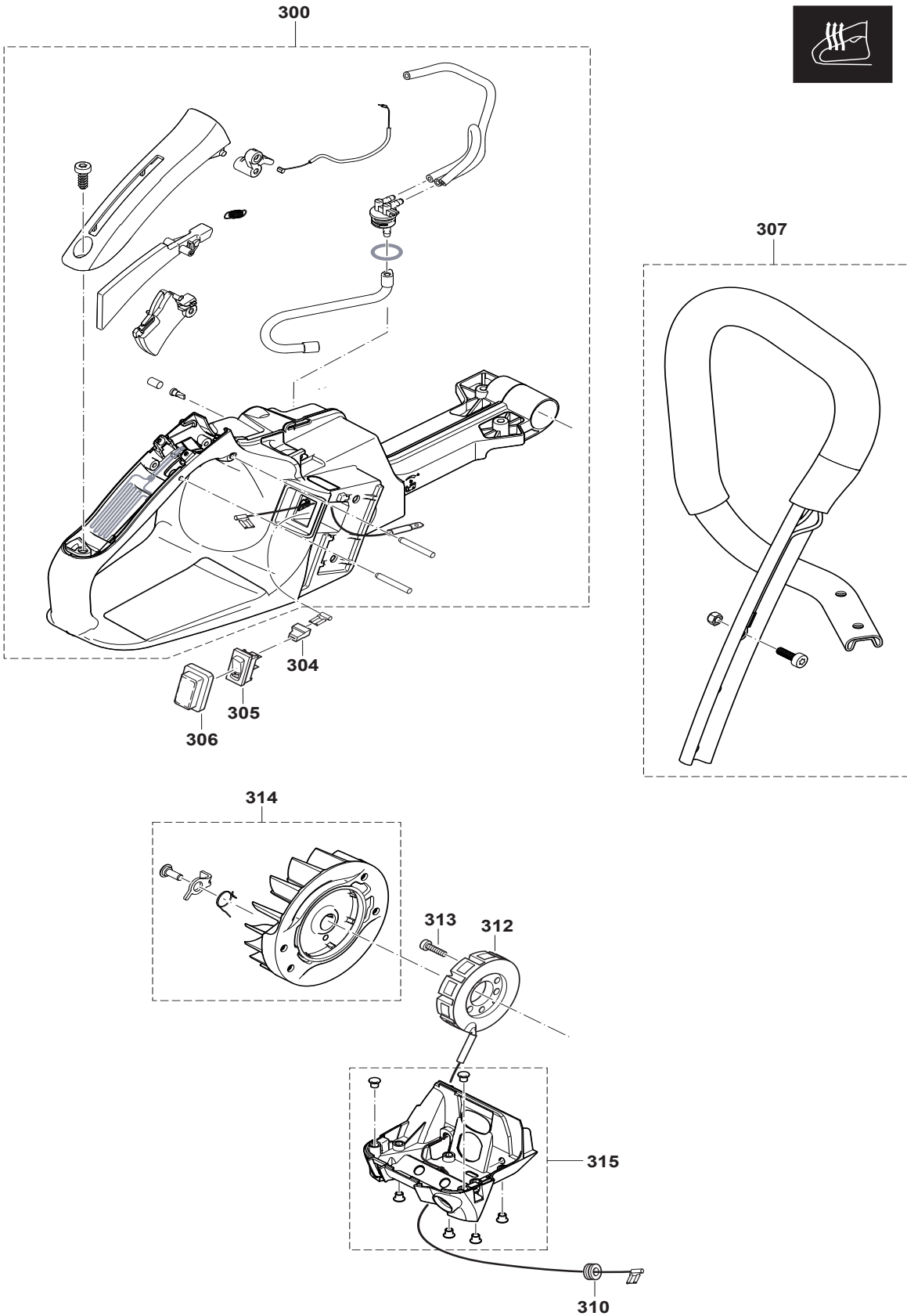
450



Products with multiple versions are listed in subsiding order with the newest version on top not indented.

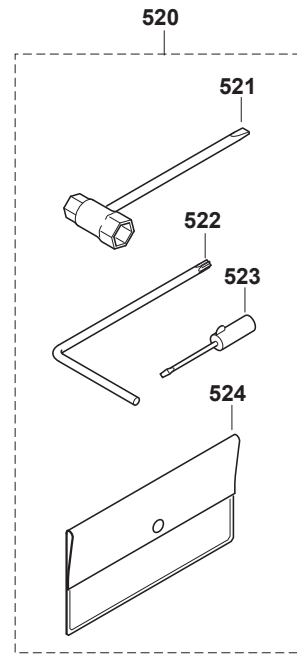
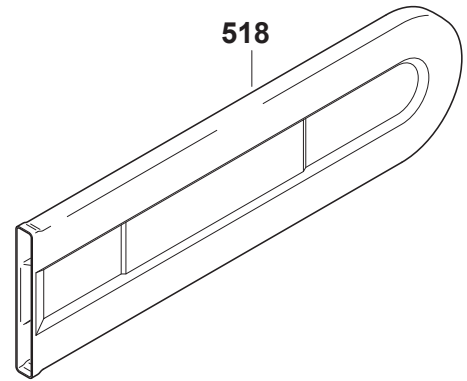
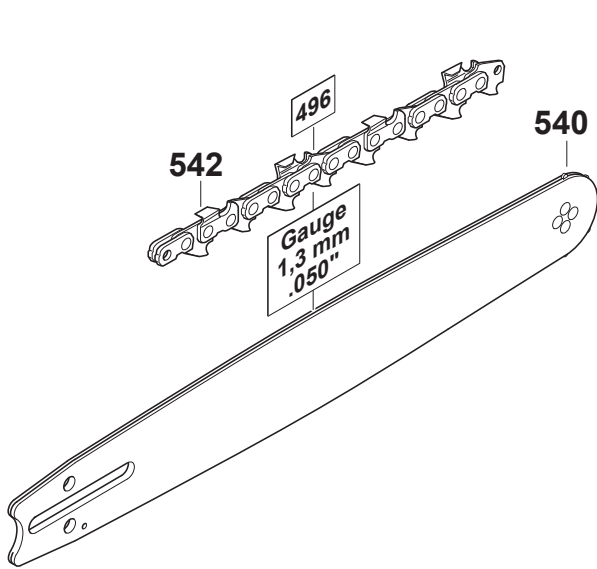
Section	Fig. No.	Part No.	Description	EA6100P53G	PS-6100	PS-6100H	Tech Bulletin	Notes
6	400	130-153-101	CARBURETOR	1	1	1		
6	400	130-153-100	CARBURETOR	1	1	1		DM27, DD - EU, USA (REGULATED MARKET)
6	443	130-153-130	REPAIR KIT	1	1	1		
6	444	315-153-690	GASKET & DIAPHRAGM KIT	1	1	1		
6	445	130-153-150	THROTTLE KIT	1	1	1		
6	446	130-153-160	CHOKE KIT	1	1	1		
6	450	130-153-700	AIR FLAP CPL.	1	1	1		





Products with multiple versions are listed in subsiding order with the newest version on top not indented.

Section	Fig. No.	Part No.	Description	EA6100P53G	PS-6100	PS-6100H	Tech Bulletin	Notes
7	300	130-114-160	TANK CPL., RED HANDLE HEATING			1		
7	304	038-146-030	INSULATING CAP			1		
7	305	975-001-230	SWITCH			1		
7	306	975-001-260	SWITCH END CAP			1		
7	307	130-310-200	TUBULAR HANDLE ASSY., HANDLE HEATING			1		USA EPA. INCL 167
7	310	965-401-014	RUBBER BUSH			1		
7	312	130-148-020	GENERATOR COIL			1		
7	313	908-004-165	SCREW			2		4X16
7	314	130-148-100	FLYWHEEL CPL., HANDLE HEATING			1		
7	315	130-131-250	CARBURETOR HOUSING RED ASSY., HEATING			1		



Products with multiple versions are listed in subsiding order with the newest version on top not indented.

Section	Fig. No.	Part No.	Description	EA6100P53G	PS-6100	PS-6100H	Tech Bulletin	Notes
8	500	445-045-631	SPROCKET NOSE BAR	1	1	1		.325" .058" 45CM-18"
8	518	952-020-650	CHAIN PROTECTION	1				50 CM
8	518	952-020-150	CHAIN PROTECTION		1	1		
8	518	952-020-660	CHAIN PROTECTION	1				60 CM
8	518	952-020-160	CHAIN PROTECTION		1	1		
8	518	952-020-160	CHAIN PROTECTION		1	1		
8	518	952-010-640	CHAIN PROTECTION	1				43 CM
8	518	952-010-140	CHAIN PROTECTION		1	1		
8	522	940-827-000	ANGLED SCREW DRIVER	1	1	1		T27
8	523	944-340-001	SCREWDRIVER	1	1	1		
8	524	950-004-002	PLASTIK BAG	1	1	1		
8	540	443-045-661	SPROCKET NOSE BAR	1	1	1		3/8" .050" 45CM-18"
8	540	443-053-661	SPROCKET NOSE BAR	1	1	1		3/8" .050" 53CM-21"
8	542	523-102-072A	SAW CHAIN U.S.A.	1	1	1		3/8" .050" 50CM-20"