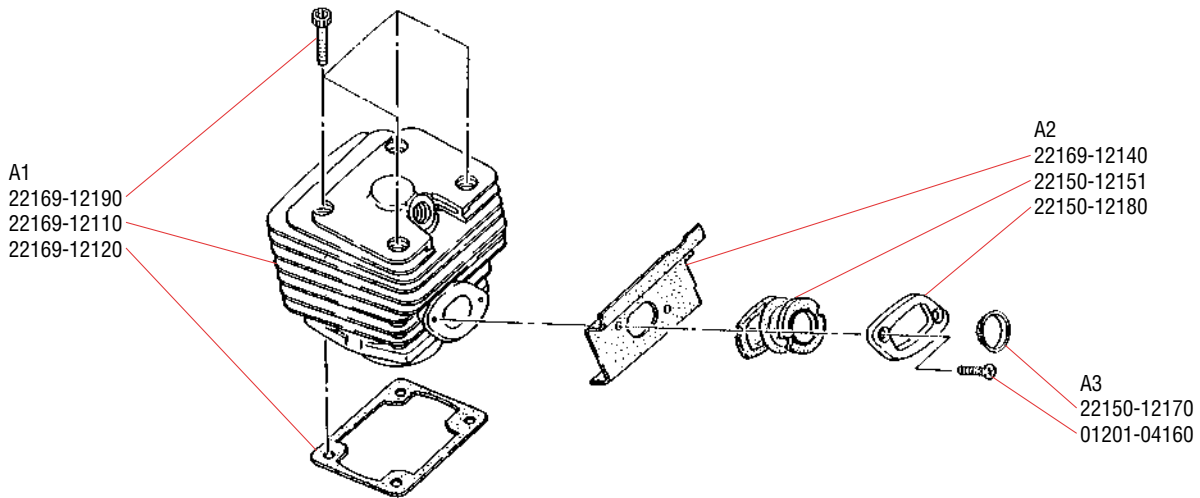
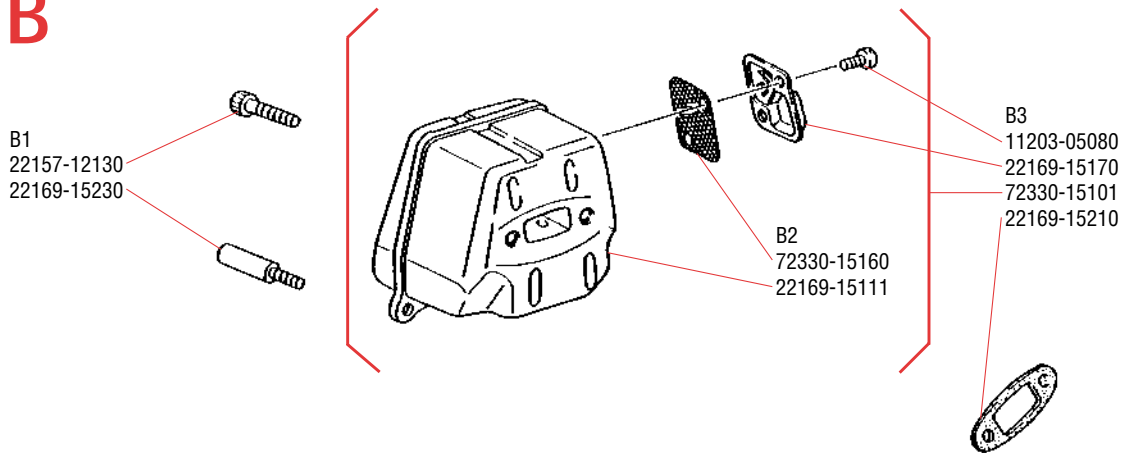


ILLUSTRATED PARTS LIST
PIEZAS DE REPUESTO
LE RÉPERTOIRE DES
PIÈCES ILLUSTRÉES

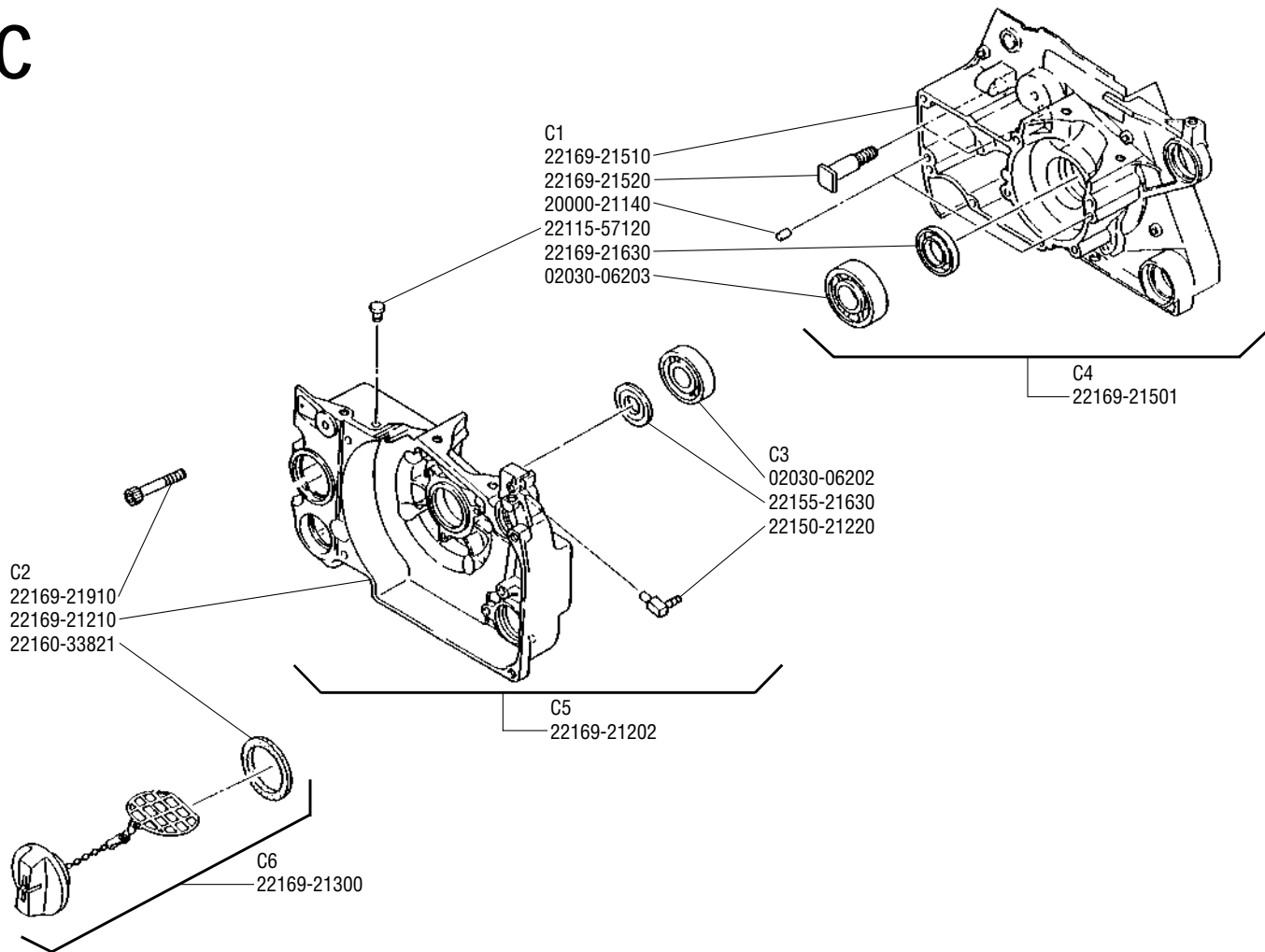
A



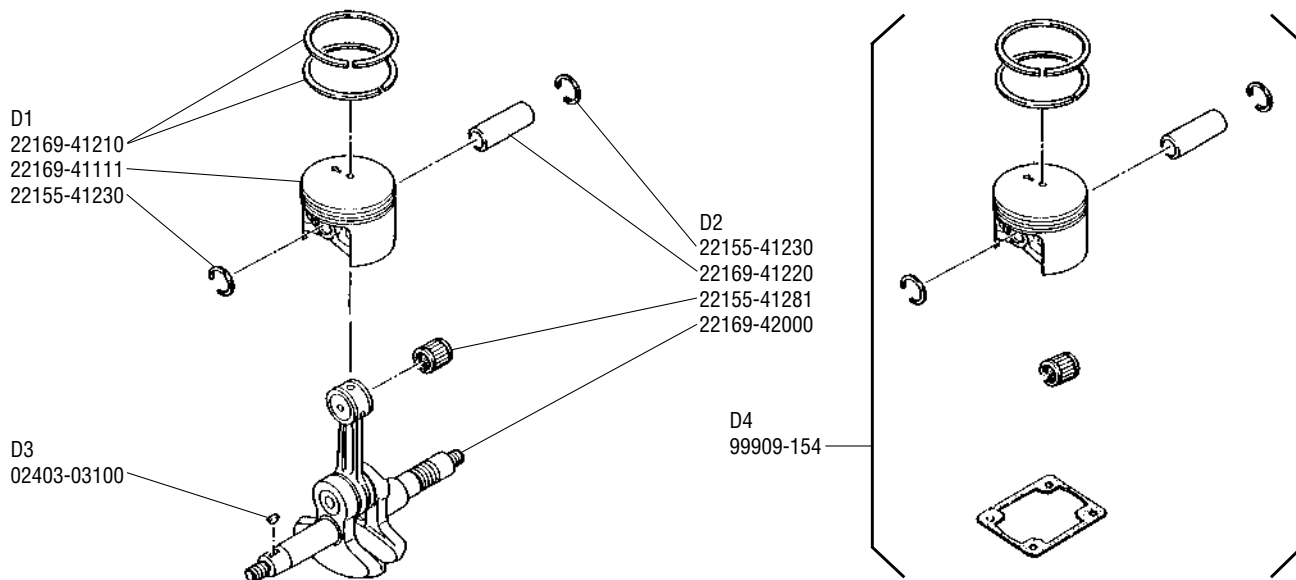
B



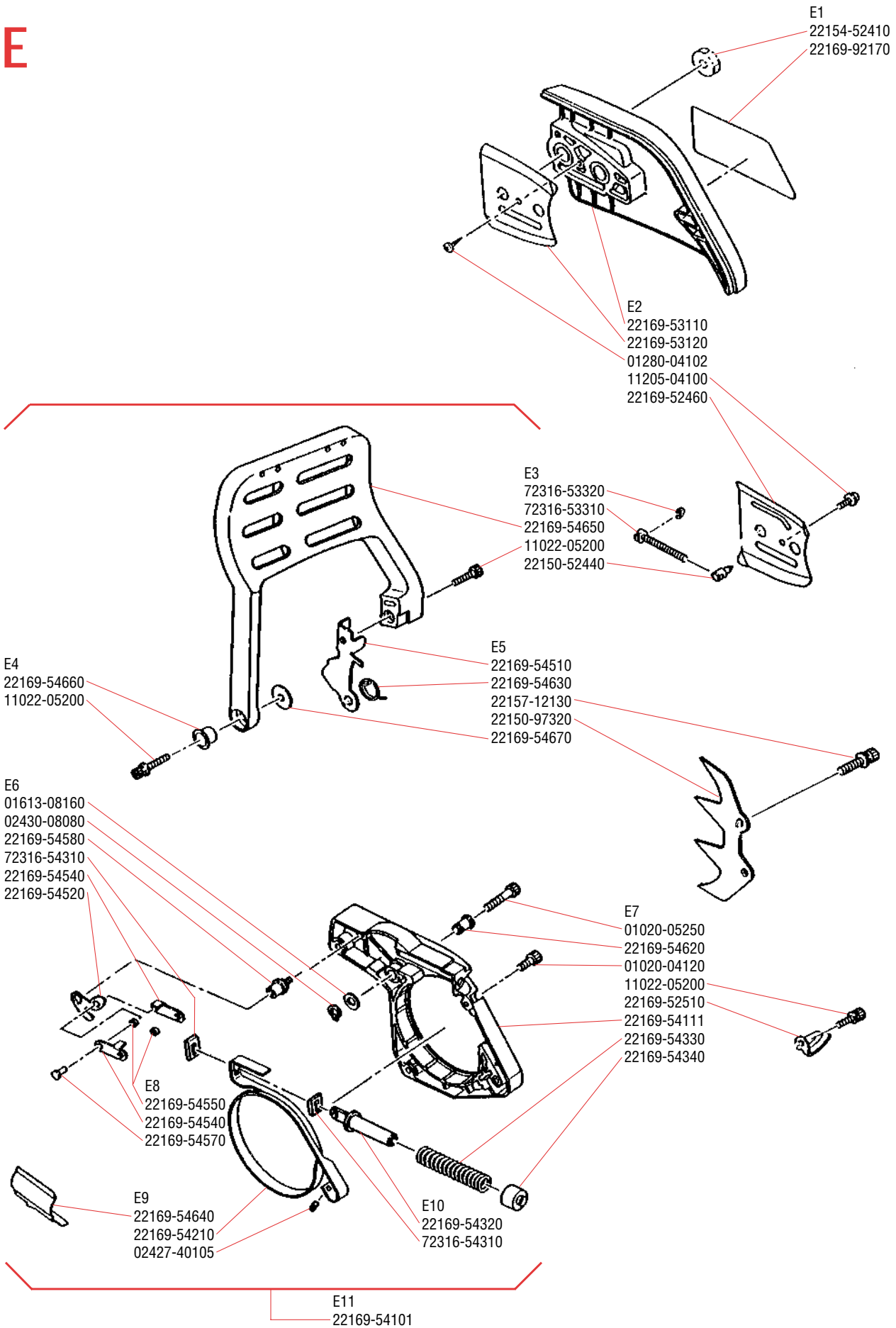
C



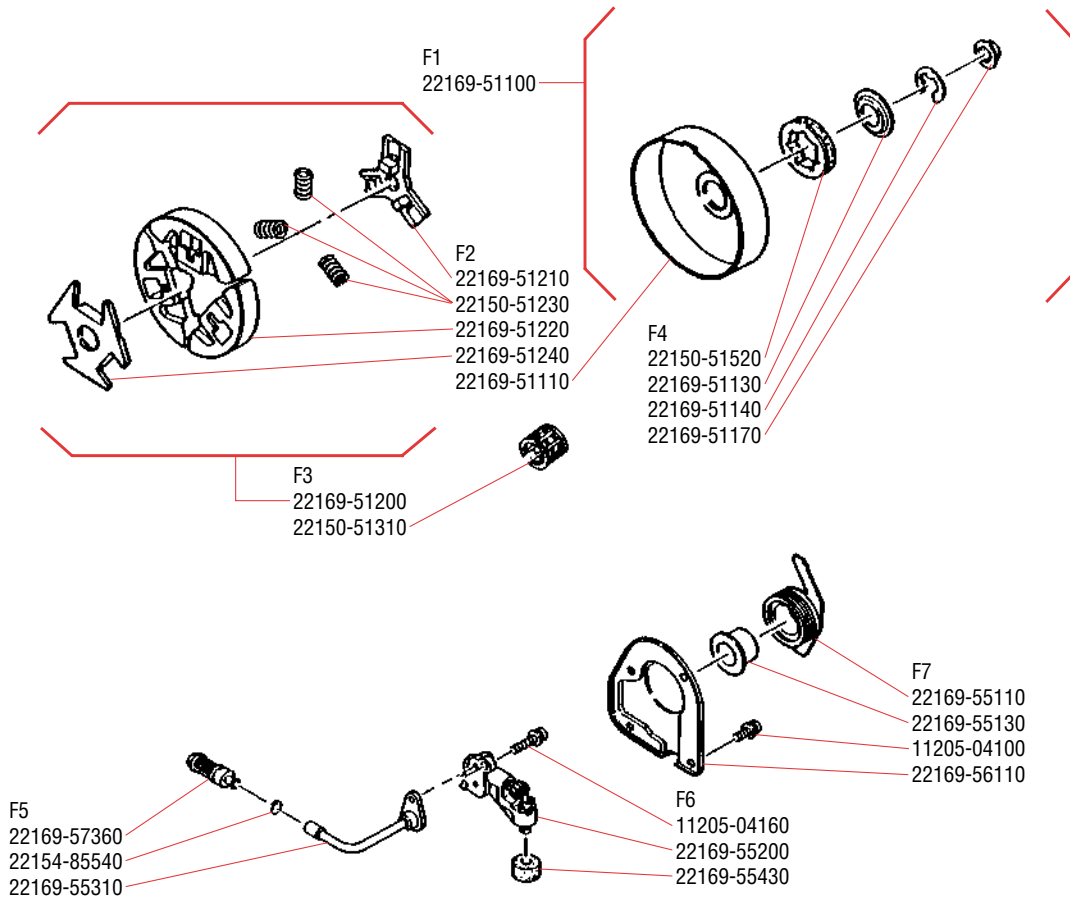
D



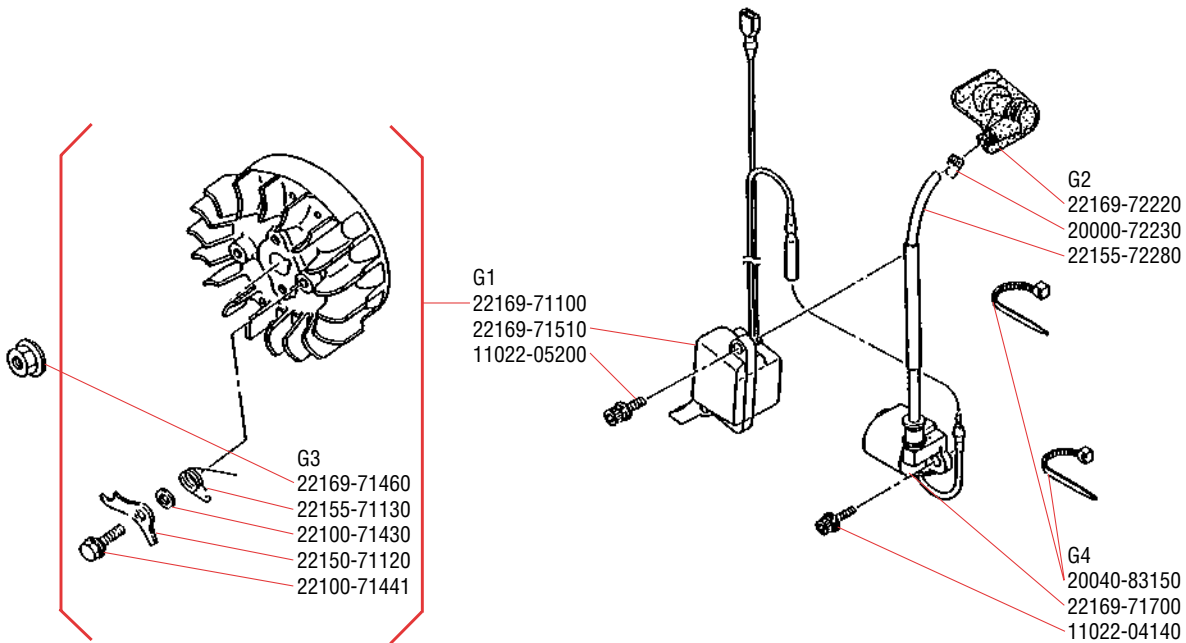
E



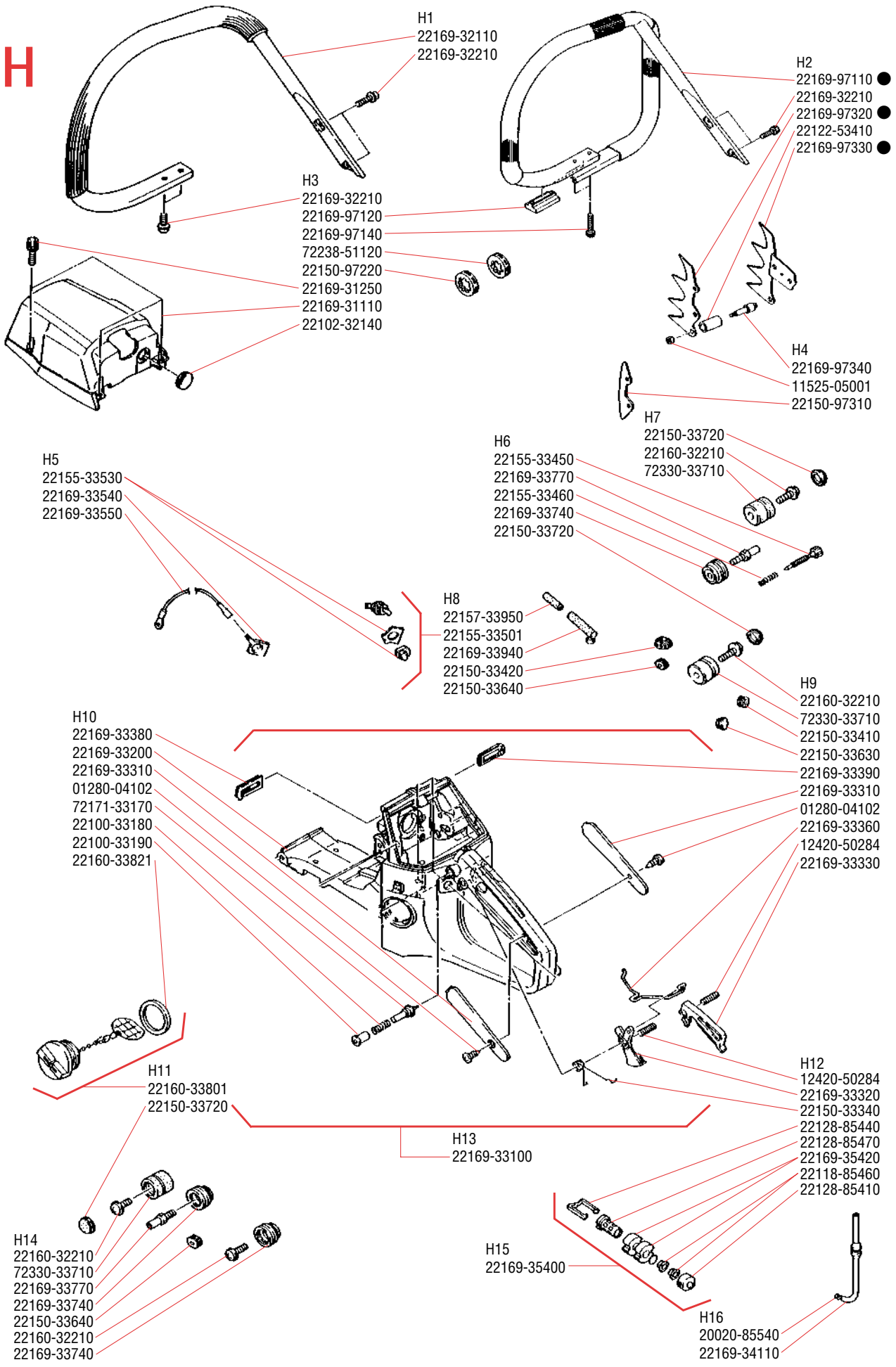
F

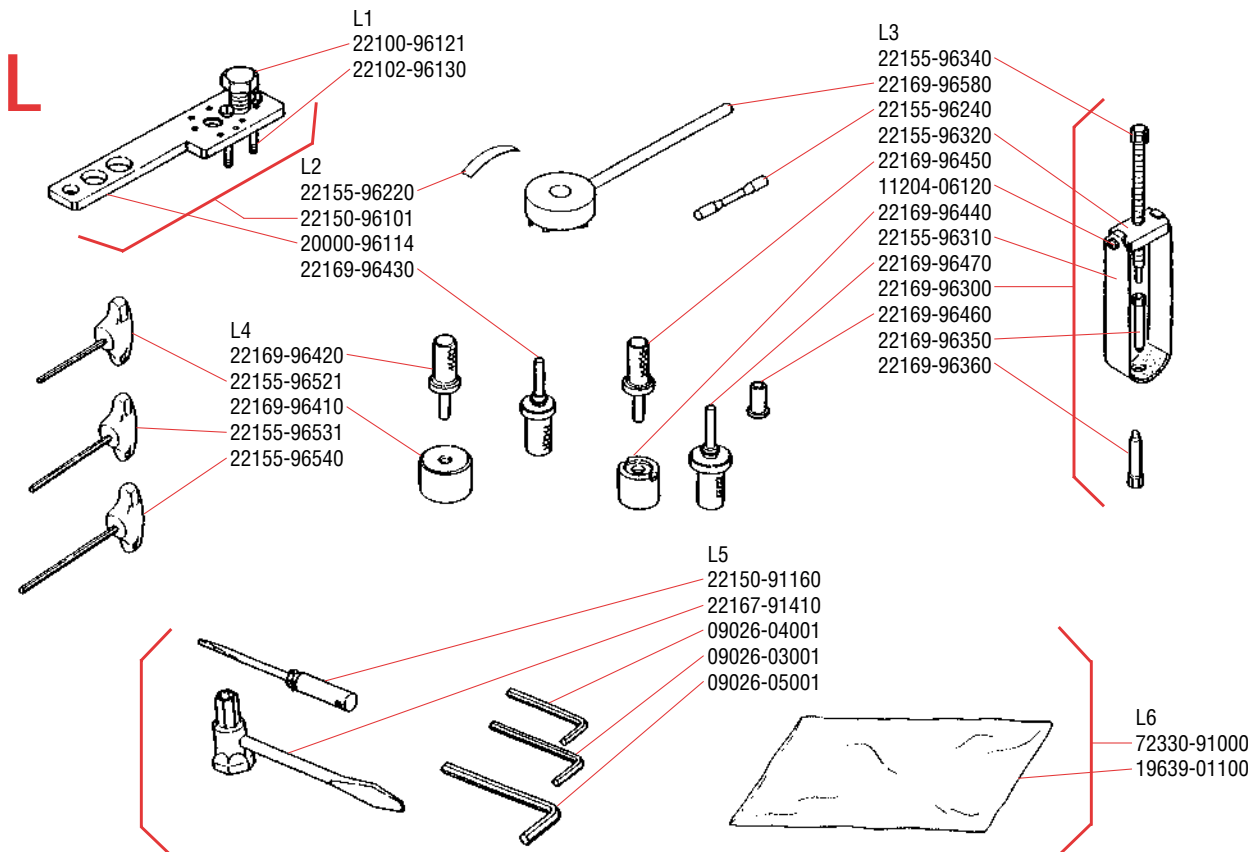
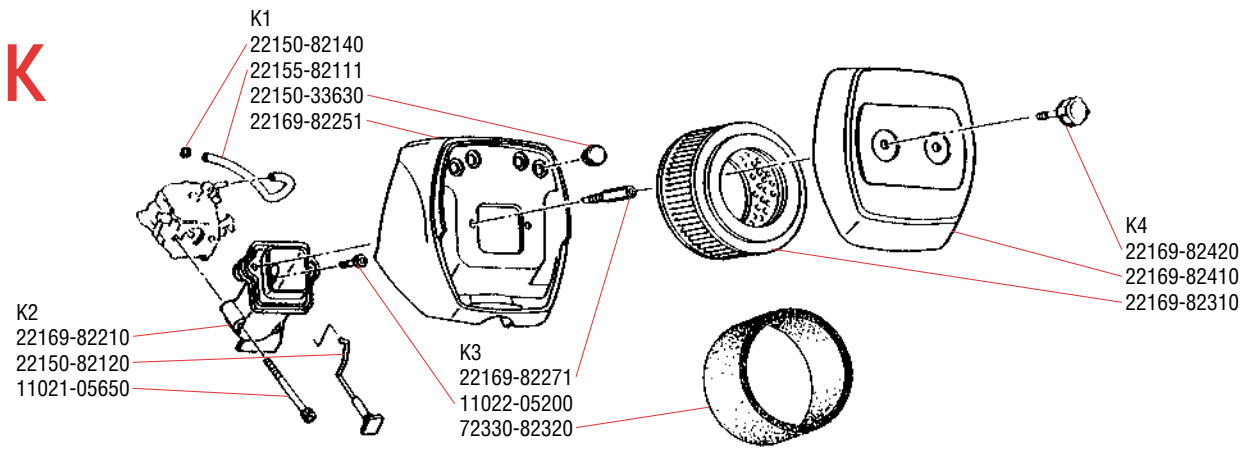
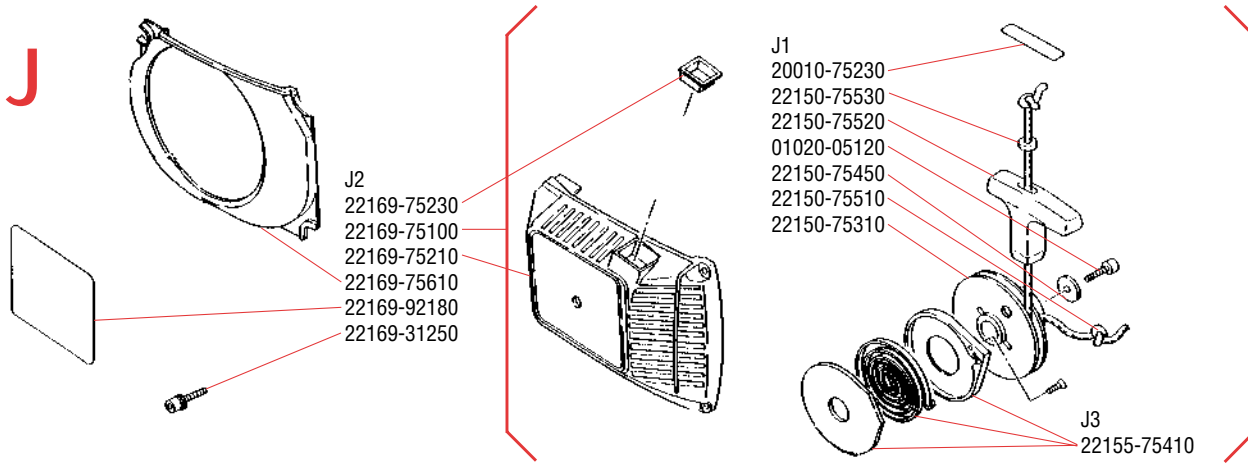


G

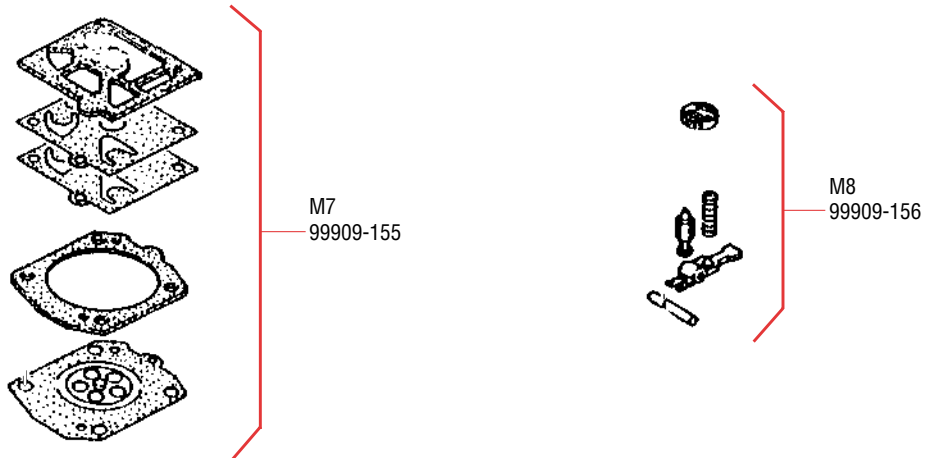
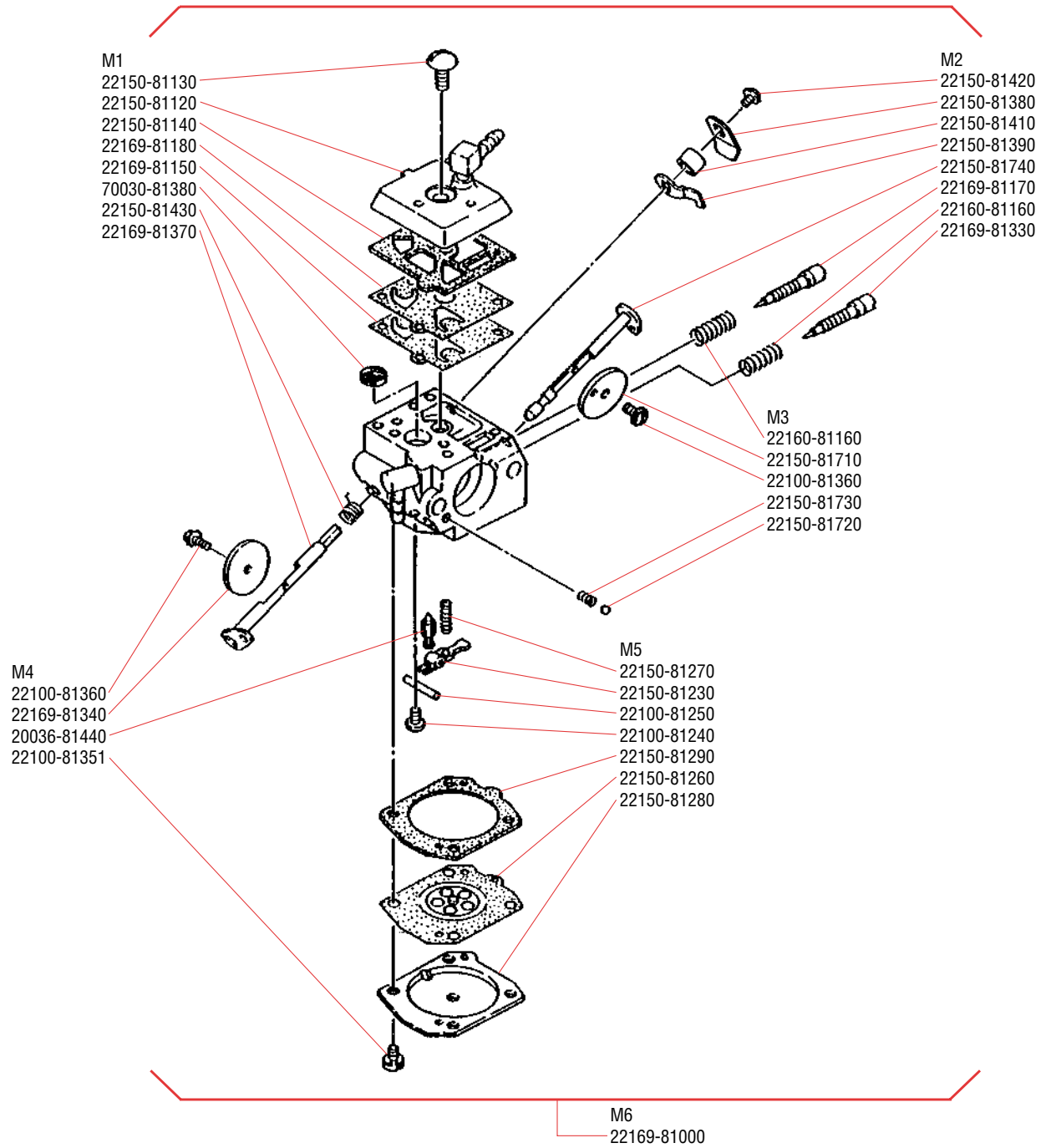


H





M



757 Numerical Parts Listing — 757 Orden Numérico — 757 Ordre Numérique

Part No. Pieza No. Numéro	Index No. Indice	Part No. Pieza No. Numéro	Index No. Indice	Part No. Pieza No. Numéro	Index No. Indice	Part No. Pieza No. Numéro	Index No. Indice	Part No. Pieza No. Numéro	Index No. Indice	Part No. Pieza No. Numéro	Index No. Indice
01020-04120	E7	22115-57120	C1	22150-96101	L2	22169-21510	C1	22169-54210	E9	22169-96360	L3
01020-05120	J1	22118-85460	H12	22150-97220	H3	22169-21520	C1	22169-54320	E10	22169-96410	L4
01020-05250	E7	22118-85460	H12	22150-97310	H4	22169-21630	C1	22169-54330	E7	22169-96420	L4
01201-04160	A3	22122-53410	H2	22150-97320	E5	22169-21910	C2	22169-54340	E7	22169-96430	L2
01280-04102	E2	22128-85410	H12	22154-52410	E1	22169-31110	H3	22169-54510	E5	22169-96440	L3
01280-04102	H9	22128-85440	H12	22154-85540	F5	22169-31250	H3	22169-54520	E6	22169-96450	L3
01280-04102	H10	22128-85470	H12	22155-21630	C3	22169-31250	J2	22169-54540	E6	22169-96460	L3
01613-08160	E6	22150-12151	A2	22155-33450	H6	22169-32110	H1	22169-54540	E8	22169-96470	L3
02030-06202	C3	22150-12170	A3	22155-33460	H6	22169-32210	H1	22169-54550	E8	22169-96580	L3
02030-06203	C1	22150-12180	A2	22155-33501	H8	22169-32210	H2	22169-54570	E8	22169-97110	H2
02403-03100	D3	22150-21220	C3	22155-33530	H5	22169-32210	H3	22169-54580	E6	22169-97120	H3
02427-40105	E9	22150-33340	H12	22155-41230	D2	22169-33100	H13	22169-54620	E7	22169-97140	H3
02430-08080	E6	22150-33410	H9	22155-41281	D2	22169-33200	H10	22169-54630	E5	22169-97320	H2
09026-03001	L5	22150-33420	H8	22155-71130	G3	22169-33310	H9	22169-54640	E9	22169-97330	H2
09026-04001	L5	22150-33630	H9	22155-72280	G2	22169-33310	H10	22169-54650	E3	22169-97340	H4
09026-05001	L5	22150-33630	K1	22155-75410	J3	22169-33320	H12	22169-54660	E4	70030-81380	M1
11021-05650	K2	22150-33640	H8	22155-82111	K1	22169-33330	H9	22169-54670	E5	72171-33170	H10
11022-04140	G4	22150-33640	H14	22155-96220	L2	22169-33360	H9	22169-55110	F7	72238-51120	H3
11022-05200	E3	22150-33720	H6	22155-96240	L3	22169-33380	H10	22169-55130	F7	72316-53310	E3
11022-05200	E4	22150-33720	H7	22155-96310	L3	22169-33390	H9	22169-55200	F6	72316-53320	E3
11022-05200	E7	22150-33720	H11	22155-96320	L3	22169-33540	H5	22169-55310	F5	72316-54310	E6
11022-05200	G1	22150-51230	F2	22155-96340	L3	22169-33550	H5	22169-55430	F6	72316-54310	E10
11022-05200	K3	22150-51310	F3	22155-96521	L4	22169-33740	H6	22169-56110	F7	72330-15101	B3
11203-05080	B3	22150-51520	F4	22155-96531	L4	22169-33740	H14	22169-57360	F5	72330-15160	B2
11204-06120	L3	22150-52440	E3	22155-96540	L4	22169-33740	H14	22169-71100	G1	72330-33710	H7
11205-04100	E2	22150-71120	G3	22157-12130	B1	22169-33770	H6	22169-71460	G3	72330-33710	H9
11205-04100	F7	22150-75310	J1	22157-12130	E5	22169-33770	H14	22169-71510	G1	72330-33710	H14
11205-04160	F6	22150-75450	J1	22157-33950	H8	22169-33940	H8	22169-71700	G4	72330-91000	L6
11525-05001	H4	22150-75510	J1	22160-32210	H7	22169-34110	H16	22169-72220	G2	99909-00005	K3
12420-50284	H9	22150-75520	J1	22160-32210	H9	22169-35400	H15	22169-75100	J2	99909-154	D4
12420-50284	H12	22150-75530	J1	22160-32210	H14	22169-35420	H12	22169-75210	J2	99909-155	M7
19639-01100	L6	22150-81120	M1	22160-32210	H14	22169-41110	D1	22169-75230	J2	99909-156	M8
20000-21140	C1	22150-81130	M1	22160-33801	H11	22169-41210	D1	22169-75610	J2		
20000-72230	G2	22150-81140	M1	22160-33821	C2	22169-41220	D2	22169-81000	M6		
20000-96114	L2	22150-81230	M5	22160-33821	H10	22169-42000	D2	22169-81150	M1		
20010-75230	J1	22150-81260	M5	22160-81160	M2	22169-51100	F1	22169-81170	M2		
20020-85540	H16	22150-81270	M5	22160-81160	M3	22169-51110	E1	22169-81180	M1		
20036-81440	M4	22150-81280	M5	22167-91410	L5	22169-51110	F2	22169-81330	M2		
20040-83150	G4	22150-81290	M5	22169-12110	A1	22169-51130	F4	22169-81340	M4		
22100-33180	H10	22150-81380	M2	22169-12120	A1	22169-51140	F4	22169-81370	M1		
22100-33190	H10	22150-81390	M2	22169-12140	A2	22169-51170	F4	22169-82210	K2		
22100-71430	G3	22150-81410	M2	22169-12190	A1	22169-51200	F3	22169-82250	K1		
22100-71441	G3	22150-81420	M2	22169-15111	B2	22169-51210	F2	22169-82250	K3		
22100-81240	M5	22150-81430	M1	22169-15170	B3	22169-51220	F2	22169-82270	K3		
22100-81250	M5	22150-81710	M3	22169-15210	B3	22169-51240	F2	22169-82310	K4		
22100-81351	M4	22150-81720	M3	22169-15230	B1	22169-52460	E2	22169-82410	K4		
22100-81360	M3	22150-81730	M3	22169-21000	C5	22169-52510	E7	22169-82420	K4		
22100-81360	M4	22150-81740	M2	22169-21200	C5	22169-53110	E2	22169-92170	E1		
22100-96121	L1	22150-82120	K2	22169-21210	C2	22169-53120	E2	22169-92180	J2		
22102-32140	H3	22150-82140	K1	22169-21300	C6	22169-54101	E11	22169-96300	L3		
22102-96130	L1	22150-91160	L5	22169-21500	C4	22169-54111	E7	22169-96350	L3		

Legend — Leyenda — Legende

● — Option



Shindaiwa Inc.

P.O. Box 1090, Tualatin, OR 97062
11975 S.W. Herman Rd., Tualatin, OR 97140

Numerical Parts Listing

Part No.	Description	Index	Part No.	Description	Index	Part No.	Description	Index
01020-04120	BOLT	E7	22150-33630	PLUG	H9	22157-12130	BOLT	B1
01020-05120	BOLT	J1	"	"	K1	22157-33950	ELEMENT	H8
01020-05250	BOLT	E7	22150-33640	GROMMET	H8	22160-32210	SCREW	H7
01201-04160	SCREW	A3	"	"	H14	"	"	H14
01280-04102	SCREW	H10	22150-33720	PLUG	H6	"	"	H14
"	"	H9	"	"	H7	"	"	H9
"	"	E2	22150-33720	PLUG	H11	22160-33801	FUEL CAP ASSY.	H11
01613-08160	WASHER	E6	22150-51230	CLUTCH SPRING	F2	22160-33821	GASKET	H10
02030-06202	BEARING	C3	22150-51310	BEARING	F3	"	"	C2
02030-06203	BEARING	C1	22150-51520	RIM SPROCKET	F4	22160-81160	SPRING	M2
02403-03100	KEY	D3	22150-52440	ADJUST STUD	E3	"	"	M3
02427-40105	PIN	E9	22150-71120	RATCHET	G3	22167-91410	PLUG WRENCH	L5
02430-08080	SNAP RING	E6	22150-75310	REEL	J1	22169-12110	CYLINDER	A1
09026-03001	WRENCH	L5	22150-75450	WASHER	J1	22169-12120	GASKET	A1
09026-04001	WRENCH	L5	22150-75510	ROPE	J1	22169-12140	BOOT GASKET	A2
09026-05001	WRENCH	L5	22150-75520	KNOB	J1	22169-12190	BOLT	A1
11021-05650	BOLT	K2	22150-75530	STOPPER	J1	22169-15111	MUFFLER	B2
11022-04140	BOLT	G4	22150-81120	PUMP COVER	M1	22169-15170	PLATE	B3
11022-05200	BOLT	G1	22150-81130	SCREW	M1	22169-15210	MUFFLER GASKET	B3
"	"	E3	22150-81140	GASKET	M1	22169-15230	BOLT	B1
"	"	E4	22150-81230	LEVER	M5	22169-21202	CRANKCASE M ASSY.	C5
"	"	E7	22150-81260	DIAPHRAGM	M5	22169-21210	CRANKCASE M	C2
"	"	K3	22150-81270	SPRING	M5	22169-21300	OIL CAP ASSY.	C6
11203-05080	SCREW	B3	22150-81280	COVER	M5	22169-21501	CRANKCASE C ASSY.	C4
11204-06120	SCREW	L3	22150-81290	GASKET	M5	22169-21510	CRANKCASE C	C1
11205-04100	SCREW	E2	22150-81380	THROTTLE LEVER	M2	22169-21520	BAR BOLT	C1
"	"	F7	22150-81390	STOPPER	M2	22169-21630	OIL SEAL	C1
11205-04160	SCREW	F6	22150-81410	SPACER	M2	22169-21910	BOLT	C2
11525-05001	NUT	H4	22150-81420	SCREW	M2	22169-31110	CYLINDER COVER	H3
12420-50284	SPRING	H9	22150-81430	SPRING	M1	22169-31250	BOLT	J2
"	"	H12	22150-81710	CHOKE VALVE	M3	"	"	H3
19639-01100	TOOL BAG	L6	22150-81720	BALL	M3	22169-32110	FRONT HANDLE	H1
20000-21140	DOWEL PIN	C1	22150-81730	SPRING	M3	22169-32210	BOLT	H3
20000-72230	SPRING	G2	22150-81740	SHAFT ASSY.	M2	"	"	H2
20000-96114	LEVER	L2	22150-82120	CHOKE ROD	K2	"	"	H1
20010-75230	TAPE	J1	22150-82140	CLIP	K1	22169-33100	REAR HANDLE ASSY.	H13
20020-85540	CLIP	H16	22150-91160	SCREW DRIVER	L5	22169-33200	REAR HANDLE	H10
20036-81440	NEEDLE VALVE	M4	22150-96101	PULLER ASSY.	L2	22169-33310	PLATE	H9
20040-83150	CLAMP	G4	22150-97220	RIM SPROCKET 3/8-8	H3	"	"	H10
22100-33180	SPRING	H10	22150-97310	BUMPER SPIKE	H4	22169-33320	THROTTLE LEVER	H12
22100-33190	STOPPER	H10	22150-97320	SPIKE	E5	22169-33330	LOCK LEVER	H9
22100-71430	WASHER	G3	22154-52410	NUT	E1	22169-33360	THROTTLE ROD	H9
22100-71441	BOLT	G3	22154-85540	CLIP	F5	22169-33380	SCREEN	H10
22100-81240	SCREW	M5	22155-21630	OIL SEAL	C3	22169-33390	PLUG	H9
22100-81250	PIN	M5	22155-33450	ADJUST SCREW	H6	22169-33540	GROUND PLATE	H5
22100-81351	SCREW	M4	22155-33460	SPRING	H6	22169-33550	GROUND WIRE	H5
22100-81360	BOLT	M4	22155-33501	SWITCH ASSY.	H8	22169-33740	CUSHION	H6
"	"	M3	22155-33530	NUT	H5	"	"	H14
22100-96121	CENTER BOLT	L1	22155-41230	SNAP RING	D1	"	"	H14
22102-32140	PLUG	H3	"	"	D2	22169-33770	LIMITER BOLT	H6
22102-96130	BOLT	L1	22155-41281	BEARING	D2	"	"	H14
22115-57120	VALVE	C1	22155-71130	SPRING	G3	22169-33940	TUBE	H8
22118-85460	SCREEN	H12	22155-72280	TUBE	G2	22169-34110	FUEL TUBE	H16
22122-53410	CHAIN CATCHER	H2	22155-75410	RECOIL SPRING	J3	22169-35400	FUEL FILTER ASSY.	H15
22128-85410	WEIGHT, FUEL	H12	22155-82111	PULSE TUBE	K1	22169-35420	FILTER	H12
22128-85440	CLIP, FILTER	H12	22155-96220	AIR GAP GAUGE	L2	22169-41111	PISTON	D1
22128-85470	SLEEVE	H12	22155-96240	PISTON STOPPER	L3	22169-41210	PISTON RING	D1
22150-12151	BOOT	A2	22155-96310	PULLER	L3	22169-41220	PISTON PIN	D2
22150-12170	SLEEVE	A3	22155-96320	BOSS	L3	22169-42000	CRANKSHAFT ASSY.	D2
22150-12180	BRACKET	A2	22155-96340	BOLT	L3	22169-51100	CLUTCH DRUM ASSY.	F1
22150-21220	PULSE JOINT	C3	22155-96521	WRENCH 3MM	L4	"	"	F2
22150-33340	SPRING	H12	22155-96531	WRENCH 4MM	L4	22169-51130	WASHER	F4
22150-33410	CHOKE GROMMET	H9	22155-96540	WRENCH 5MM	L4	22169-51140	SNAP RING	F4
22150-33420	GROMMET	H8	22157-12130	BOLT	E5	22169-51170	NUT	F4

Part No.	Description	Index
22169-51200	CLUTCH SHOE ASSY.	F3
22169-51210	BOSS A	F2
22169-51220	CLUTCH SHOE	F2
22169-51240	BOSS B	F2
22169-52460	GUIDE PLATE A	E2
22169-52510	CHAIN CATCHER	E7
22169-53110	CLUTCH COVER	E2
22169-53120	GUIDE PLATE B	E2
22169-54101	BRAKE ASSY.	E11
22169-54111	BRAKE HOLDER	E7
22169-54210	BRAKE BAND	E9
22169-54320	SPRING HOLDER	E10
22169-54330	SPRING	E7
22169-54340	STOPPER	E7
22169-54510	BRACKET	E5
22169-54520	INNER LEVER	E6
22169-54540	TIE STRAP	E6
"	"	E8
22169-54550	COLLAR	E8
22169-54570	RIVET	E8
22169-54580	BOLT LEVER	E6
22169-54620	SPACER	E7
22169-54630	SPRING LEVER	E5
22169-54640	COVER	E9
22169-54650	LEVER	E3
22169-54660	SPACER	E4
22169-54670	WASHER	E5
22169-55110	GEAR	F7
22169-55130	COLLAR	F7
22169-55200	OIL PUMP ASSY.	F6
22169-55310	TUBE	F5
22169-55430	FILTER	F6

Part No.	Description	Index
22169-56110	PUMP COVER	F7
22169-57360	OIL FILTER	F5
22169-71100	ROTOR ASSY.	G1
22169-71460	NUT	G3
22169-71510	EXCITER COIL	G1
22169-71700	IGNITION COIL	G4
22169-72220	PLUG CAP	G2
22169-75100	RECOIL STARTER	
	ASSY.	J2
22169-75210	RECOIL CASE	J2
22169-75230	GUIDE	J2
22169-75610	AIR CLEANER PLATE	J2
22169-81000	CARBURETOR ASSY.	M6
22169-81150	DIAPHRAGM	M1
22169-81170	NEEDLE L	M2
22169-81180	DIAPHRAGM	M1
22169-81330	NEEDLE H	M2
22169-81340	THROTTLE VALVE	M4
22169-81370	SHAFT ASSY.	M1
22169-82210	ELBOW	K2
22169-82251	CLEANER BASE	K1
22169-82271	BOLT	K3
22169-82310	FILTER	K4
22169-82410	CLEANER COVER	K4
22169-82420	KNOB	K4
22169-92170	NAME PLATE	E1
22169-92180	NAME PLATE	J2
22169-96300	PULLER ASSY.	L3
22169-96350	PIN ADAPTER	L3
22169-96360	GUIDE PIN	L3
22169-96410	HOLDER M	L4
22169-96420	ROD, OIL SEAL M	L4

Part No.	Description	Index
22169-96430	ROD 6202	L2
22169-96440	HOLDER C	L3
22169-96450	ROD OIL SEAL C	L3
22169-96460	COLLAR, OIL SEAL	L3
22169-96470	ROD 6203	L3
22169-96580	PULLER	L3
22169-97110	FRONT HANDLE, W	H2
22169-97120	SPACER	H3
22169-97140	BOLT	H3
22169-97320	SPIKE W	H2
22169-97330	SPIKE C	H2
22169-97340	BOLT	H4
70030-81380	SCREEN	M1
72171-33170	STOPPER	H10
72238-51120	RIM SPROCKET .325-9	H3
72316-53310	ADJUST SCREW	E3
72316-53320	SNAP RING	E3
72316-54310	PLATE	E10
"	"	E6
72330-15101	MUFFLER ASSY.	B3
72330-15160	ARRESTOR	B2
72330-33710	CUSHION 26	H9
"	"	H7
"	"	H14
72330-82320	PRE-FILTER	K3
72330-91000	TOOL SET	L6
99909-154	PISTON ASSY.	D2
99909-155	GASKET/DIAPHRAGM	
	KIT	M7
99909-156	KWIK KIT	M8

shindaiwa®

Shindaiwa Inc.

P.O. Box 1090, Tualatin, OR 97062
11975 S.W. Herman Rd., Tualatin, OR 97062

60386-1 — October '93