

REMINGTON CHAIN SAW

Illustrated Parts List

SL-9

IMPORTANT

DO NOT USE KEY NUMBERS WHEN ORDERING SERVICE PARTS.
ALWAYS ORDER COMPONENTS BY PART NUMBER AND DESCRIPTION.
INCLUDE MODEL AND SERIAL NUMBERS.

Key NO.	Part NO.	Description	QTY
1	65018	BEARING, Thrust	2
2	64327	BELLOWS, Link, Throttle	1
3	65064	BLOCK, Adjusting, Bar, Guide	1
4	65783	BRACKET, Carburetor	1
5	64409	BUTTON, Choke	1
6	64368	BUTTON, Latch, Throttle	1
7	67642R	CAP ASSY, Fuel, Includes:	1
-1	60303	RING, "O"	1
8	67645	CAP ASSY, Oil, Includes:	1
-1	64959	RING, "O"	1
9	65620	CARBURETOR, Includes:	1
-1	64453*	DIAPHRAGM, Main	1
-2	64827*	DIAPHRAGM, Pump	1
-3	64452	GASKET, Diaphragm	1
-4	64457	GASKET, Pump	1
-5	64465*	NEEDLE, Inlet	1
-6	64448	PLUG	1
-7	65731	SCREW, Mixture, "Hi" Speed	1
-8	64459	SCREW, Mixture, "Lo" Speed	1
-9	67474*	GASKET SET	1
-10	67433	REPAIR KIT	1
10	66688	CLUTCH ASSY, Includes:	1
-1	66845	PLATE, Drive	1
-2	66846	SHOE (Set of 2)	1
-3	66847	SPRING	2
11	65054C	COVER ASSY, Crankcase, Includes:	1
-1	65072	BEARING, Roller	1
-2	65019	SEAL, Oil	1
-3	65028	STUD, Bar, Guide	2
12	65451C	COVER, Carburetor	1
13	66694	COVER, Clutch	1
14	65007C	COVER, Handle, Rear	1
15	60030	COVER, Sparkplug	1
16	65008C	COVER, Sprocket	1
17	65053C	CRANKCASE ASSY, Includes:	1
-1	65072†	BEARING, Roller	1
-2	65005	COVER,	1
-3	65076	CRANKCASE	1
-4	60383†	FITTING, Vent	1
-5	65060	GASKET, Tank	1
-6	65019†	SEAL, Oil	1
-7	64379	SEMS, Pan HD, #6-32 x .50	14
-8	64766†	STUD	4
18	65012	CRANKSHAFT	1
19	65319	CUP ASSY, Starter, Includes:	1
-1	65618	CUP	1
-2	65213	SCREEN	1

Key NO.	Part NO.	Description	QTY
20	65002	CYLINDER	1
21	65214	FAN	1
22	65071	FILTER, Air	1
23	64967	FILTER, Pickup, Oil	1
24	64364	FITTING, Oil, Exhaust	1
25	64969	FITTING, Oil, Intake	1
26	65062	GASKET, Carburetor	1
27	65061	GASKET, Cylinder	1
28	62845	GROMMET, Carburetor Link, Choke	2 1
29	67669	HANDLE, Front	1
30	66132C	HANDLE ASSY, Rear, Includes:	1
-1	103700	PIN, Cotter, .06 x .50	1
-2	105212	PIN, Dowel	1
-3	65708	VALVE	1
31	104364	KEY, Woodruff, Fan	1
32	67647	KNOB, Cover, Carburetor	1
33	65038	LIMITER, Reed	1
34	65045	LINE, Oil, Exhaust	1
35	65043	LINE, Oil, Intake	1
36	65063	LINK, Choke	1
37	65041	LINK, Throttle	1
38	103268	LOCKWASHER, .31 ID, Cup, Starter	1
39	65011	MUFFLER, Stack	1
40	64442	NUT, HEX, #12-24, Adjusting, Bar, Guide	1
41	64923	NUT, HEX, .25-28, Cylinder, (with Lockwasher)	4
42	103141	NUT, HEX, .31-24, Cup, Starter	1
43	118344	NUT, HEX, .31-24, Guide, Bar Sprocket	2 1
44	103048	NUT, SQ, .25-20, Handle	1
45	63780	PICKUP ASSY, Fuel, Includes:	1
-1	64815	FILTER, Fuel	1
-2	64915	RING, Snap	1
-3	103641	WASHER, .25 ID	2
46	65023	PISTON	1
47	65080	PLATE, Bar, Guide, Inside	1
48	65081	PLATE, Bar, Guide, Outside	1
49	65728	PLUNGER, Pump, Oil	1
-1	64409	BUTTON	1
-2	27785	RING, "O", .30 ID, Pump, Oil	1
50	65022	RACE, Sprocket	1
51	65036	RACE, Thrust	2
52	65037A	REED	1
53	64949	RING, "O", .99 ID, Plate, Stator	1

*Parts Included in Repair Kit #67433

†Parts Included in Crankcase #65076

Key NO.	Part NO.	Description	QTY
54	65059	RING, "O", 2.11 ID, Crankcase	1
55	65309	RING, Piston, (Set of 2)	1
56	65089	RING, Retaining, Latch, Throttle	1
57	65058	RING, Retaining, Pin, Piston	2
58	64386	RING, Snap, Cover, Carburetor	1
59	65052	ROD, Connecting, Includes:	1
-1	65073	BEARING, Roller	1
-2	64506	SCREW, Rod, Connecting	2
60	65020A	ROLLER, Crankpin, (Set of 26)	1
61	65787	SCREW, HEX-HD, #12-24 x .50, Bracket	1
62	101154A	SCREW, FIL-HD, #12-24 x 1.75, Adjusting, Bar, Guide	1
63	64460†	SCREW, Idle-Speed	1
64	64406	SCREW, Pan ID, #4-40 x .25, Reed	2
65	66054	SEMS, HEX-HD, #10-32 x 1.81, Carburetor	2
66	64372	SEMS, HEX-HD, #12-24 x .62 Cover, Crankcase Handle, Rear Stator	5 1 3
67	64373	SEMS, HEX-HD, #12-24 x .75, Handle, Rear Muffler	4 2
68	64374	SEMS, HEX-HD, #12-24 x .88, Starter, Housing	4
69	101672B	SEMS, Oval HD, .25-20 x 1.25, Handle, Front	2
70	63962A	SEMS, Pan HD, #8-32 x .62 Cover, Handle	2
71	65292	SPARKPLUG	1
72	60029	SPRING, Connector, Sparkplug	1
73	64367	SPRING, Latch, Throttle	1
74	64366	SPRING, Pump, Oil	1
75	64461	SPRING, Screw, Idle-Speed	1
76	P5-387	SPROCKET ASSY, Includes:	1
-1	65021	BEARING, Roller	1

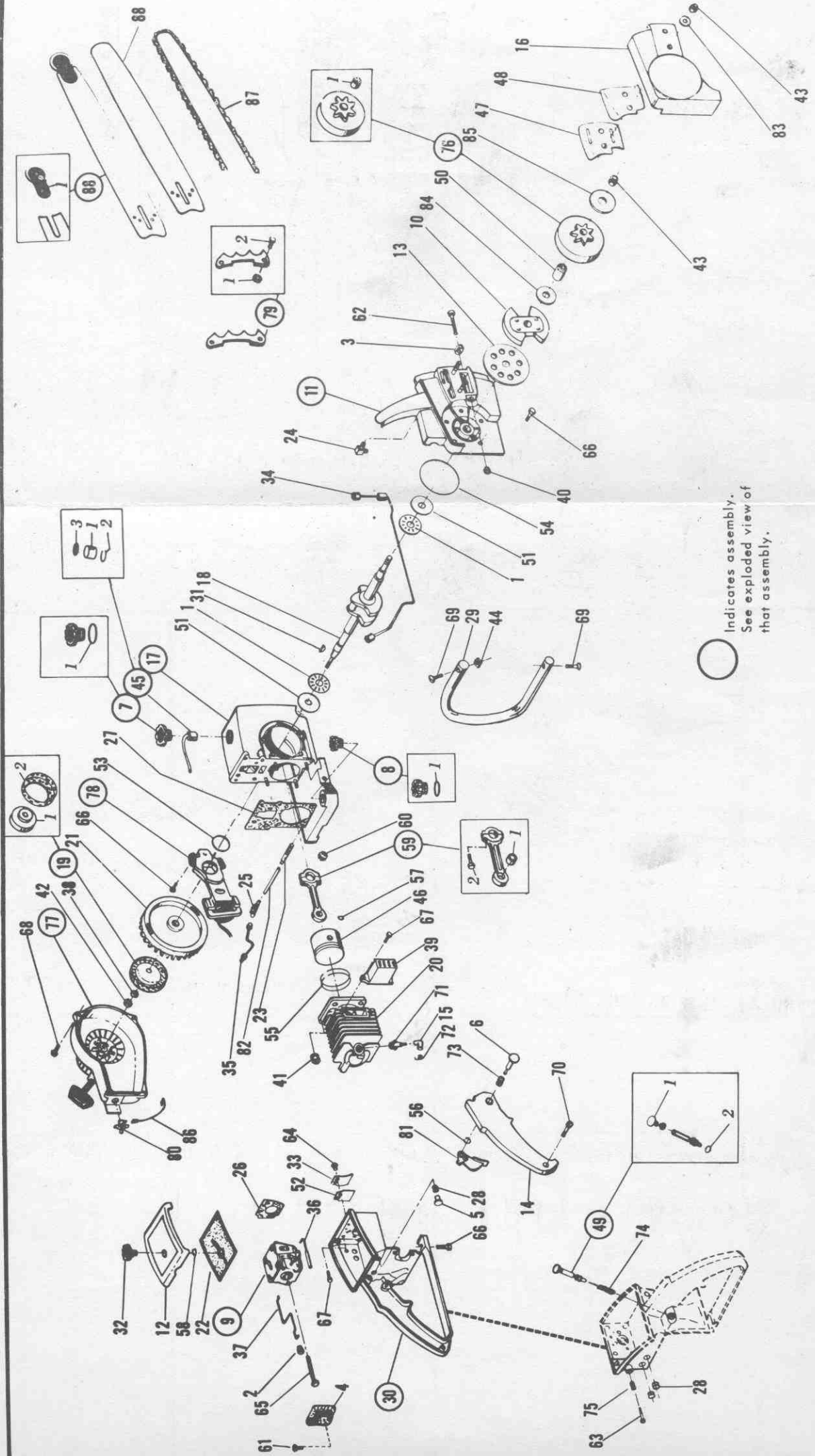
†Part Included in Carburetor #65620

Key NO.	Part NO.	Description	QTY
77	65016C	STARTER ASSY, Includes:	1
-1	64350††	BUSHING, Starter	1
-2	65858	CORD	1
-3	66671	HANDLE, Starter	1
-4	65082C	HOUSING, Starter	1
-5	66672	INSERT, Handle	1
-6	60807	RING, Retainer	1
-7	66148	ROTOR, Starter	1
-8	66159	SHIELD, Dust	1
-9	65207	SHIELD, Spring	1
-10	65208	SHOE, Friction	1
-11	60809	SPRING, Brake	1
-12	65859	SPRING, Rewind	1
-13	64078	WASHER, Fiber	2
78	65215	STATOR ASSY, Ignition, Includes:	1
-1	65226	BREAKER	1
-2	65225	COIL	1
-3	65224	CONDENSER	1
-4	65221	COVER, Dust	1
-5	65222	GASKET, Cover	1
-6	65227	SEAL, Felt	1
-7	65332**	WIPER, Felt	1
-8	65229**	WIRE, Sparkplug	1
79	66308	STICKER KIT, Includes:	1
-1	64442	NUT, HEX, #12-24 x .62	2
-2	64372	SEMS, HEX-HD, #12-24 x .62	2
80	64345	SWITCH, Stop	1
81	64326R	THROTTLE	1
82	64974	TUBE, Pickup, Oil	1
83	65051	WASHER, .31 ID x .75 OD, Bar, Guide	2
84	65035	WASHER, .31 ID x .83 OD, Thrust, Sprocket	1
85	65034	WASHER, .31 ID x 1.44 OD, Sprocket, Outer	1
86	64357	WIRE, Ground	1
87	30PF56	CHAIN	1
88	P1013	BAR, Guide	1

**Part Included in Breaker #65226

††Part Included in Housing #65082C

DO NOT USE KEY NUMBERS WHEN ORDERING SERVICE PARTS. ALWAYS USE PART NUMBERS PER ILLUSTRATED PARTS LIST



○ Indicates assembly.
See exploded view of
that assembly.

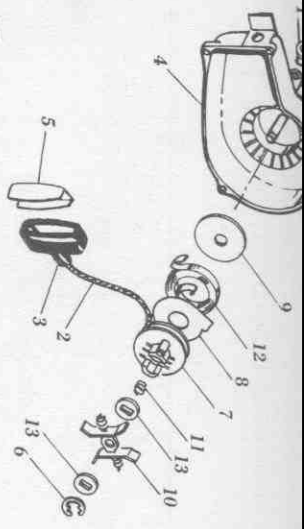
CHAIN & GUIDE BAR FOR SL-9 CHAIN SAW

Capacity	Guide Bar		Chain NO.
	Roller Nose	Solid Nose	
15"	P1013	P0013	30PF56

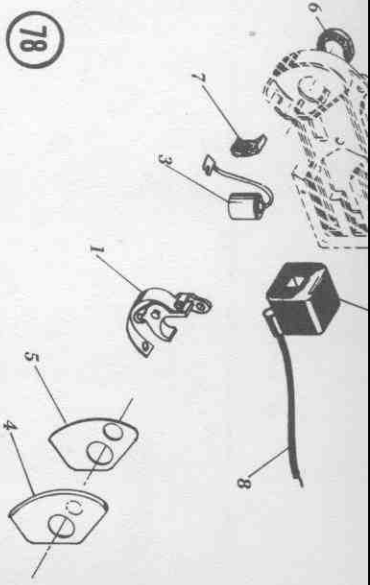
SL-9 ACCESSORIES

Part NO.	Description
13688	FILE, Flat, 8.0 x .62
35219	FILE, Round, 8.0 x 7/32, 3/8" Chain
60729	GREASE GUN
64900	GUIDE, File, 3/8"
14207	HANDLE, File
18347	LUBRICANT, Nose, Roller
48411	OIL, Engine, Chain Saw
65090	ROLLERNOSE, 2.0"
48535	SET, Gauge, .025/.035
66364	WEDGE, Plastic
66976	WRENCH, HEX, .50 & Screwdriver

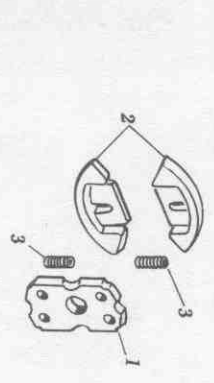
77



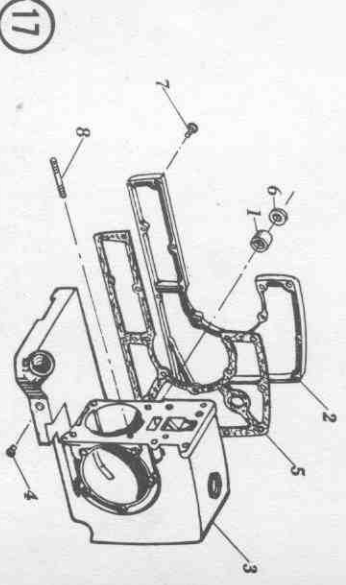
78



10



17



11

