

REMINGTON

CHAIN SAW

Illustrated Parts List

**SL-9
DELUXE**

IMPORTANT

DO NOT USE KEY NUMBERS WHEN ORDERING SERVICE PARTS.
ALWAYS ORDER COMPONENTS BY PART NUMBER AND DESCRIPTION.
INCLUDE MODEL AND SERIAL NUMBERS.

**COMPRESSION
RELEASE**

Key NO.	Part NO.	Description	QTY
1	66376	BAFFLE, Muffler	1
2	65018	BEARING, Thrust	2
3	64327	BELLOWS, Link, Throttle	1
4	65064	BLOCK, Adjusting, Bar, Guide	1
5	66372	BODY, Muffler	1
6	65783	BRACKET, Carburetor	1
7	64409	BUTTON, Choke	1
8	67642R	CAP ASSY, Fuel, Includes:	1
-1	60303	RING, "O"	1
9	67645	CAP ASSY, Oil, Includes:	1
-1	64959	RING, "O"	1
10	66960	CARBURETOR, Includes:	1
-1	64453*	DIAPHRAGM, Main	1
-2	64827*	DIAPHRAGM, Pump	1
-3	64452	GASKET, Diaphragm	1
-4	64457	GASKET, Pump	1
-5	64465*	NEEDLE, Inlet	1
-6	64448	PLUG	1
-7	65731	SCREW, Mixture, "Hi" Speed	1
-8	64459	SCREW, Mixture, "Lo" Speed	1
-9	67474*	GASKET SET	1
-10	67472	REPAIR KIT	1
11	66688	CLUTCH ASSY, Includes:	1
-1	66845	PLATE, Drive	1
-2	66846	SHOE (set of 2)	1
-3	66847	SPRING	2
12	65451T	COVER, Carburetor	1
13	66694	COVER, Clutch	1
14	66034C	COVER, Handle, Rear	1
15	66377	COVER, Muffler	1
16	60030	COVER, Sparkplug	1
17	65008C	COVER, Sprocket	1
18	66136C	COVER ASSY, Crankcase, Includes:	1
-1	65072	BEARING, Roller	1
-2	65019	SEAL, Oil	1
-3	65028	STUD, Bar, Guide	1
19	66134C	CRANKCASE ASSY, Includes:	1
-1	65072**	BEARING, Roller	1
-2	65005	COVER	1
-3	66133	CRANKCASE	1
-4	65609**	FITTING, Valve	1
-5	65060	GASKET, Tank	1
-6	65019**	SEAL, Oil	1
-7	64379	SEMS, RD-HD, #6 x .50	14
-8	64766**	STUD	4
20	65012	CRANKSHAFT	1

Key NO.	Part NO.	Description	QTY
21	65319	CUP ASSY, Starter, Includes:	1
-1	65618	CUP	1
-2	65213	SCREEN	1
22	65996	CYLINDER, Includes:	1
-1	64954	INSERT, Helicoil	2
23	65214	FAN	1
24	65071	FILTER, Air	1
25	66485	FILTER, Pickup, Oil	1
26	65727	FITTING, Oil, Exhaust	1
27	64969	FITTING, Oil, Intake	1
28	65062	GASKET, Carburetor	1
29	65061	GASKET, Cylinder	1
30	66036	GRIP, Handle, Rear	1
31	62845	GROMMET,	2
		Carburetor	
		Link, Choke	1
32	67671	HANDLE, Front, Includes:	1
-1	66035	GRIP, Handle, Front	1
33	66152C	HANDLE ASSY, Rear, Includes:	1
-1	103700	PIN, Cotter, .06 x .50	1
-2	105212	PIN, Dowel	1
-3	65708	VALVE	1
34	104364	KEY, Woodruff, Fan	1
35	67647	KNOB, Cover, Carburetor	1
36	66739	LIMITER, Reed	1
37	65045	LINE, Oil, Exhaust	1
38	65063	LINK, Choke	1
39	65041	LINK, Throttle	1
40	66153	LINK, Valve, Shut-off	1
41	103268	LOCKWASHER, .31 ID, Cup, Starter	1
42	66032	NEEDLE, Adjustment, Oiler	1
43	64442	NUT, HEX, #12-24	1
		Adjusting, Bar, Guide	
44	64923	NUT, HEX, .25-28,	4
		Cylinder, (with lockwasher)	
45	103141	NUT, HEX, .31-24, Cup, Starter	1
46	118344	NUT, HEX, .31-24,	2
		Guide, Bar	
		Sprocket	1
47	103048	NUT, SQ., .25-20, Handle	1
48	63780	PICKUP ASSY, Fuel, Includes:	1
-1	64815	FILTER, Fuel	1
-2	64915	RING, Snap	1
-3	103641	WASHER, .25 ID	2
49	65602	PISTON	1
50	65080	PLATE, Bar, Guide, Inside	1

*Parts Included in Repair Kit #67472

**Parts Included in Breaker #65076

CS-45

Key NO.	Part NO.	Description	QTY
51	65081	PLATE, Bar, Guide, Outside	1
52	65728	PLUNGER, Pump, Oil	1
-1	64409	BUTTON	1
-2	27785	RING, "O", .30 ID, Pump, Oil	1
53	65022	RACE, Sprocket	1
54	65036	RACE, Thrust	2
55	65037A	REED	1
56	65059	RING, "O", 2.11 ID, Crankcase	1
57	64682	RING, "O", Needle, Adjusting	1
58	64949	RING, "O", .99 ID, Plate, Stator	1
59	65316	RING, Piston, (Set of 2)	1
60	64306	RING, Retaining, Pin, Piston	2
61	64386	RING, Snap, Cover, Carburetor	1
62	65997	ROD, Compression Release	1
63	65605	ROD, Connecting, Includes:	1
-1	25508	BEARING, Roller	1
-2	64506	SCREW, Rod, Connecting	2
64	65020A	ROLLER, Crankpin, (Set of 26)	1
65	65787	SCREW, HEX-HD, #12-24 x .50, Bracket	1
66	101154A	SCREW, FIL-HD, #12-24 x 1.75, Adjusting, Bar, Guide	1
67	64460†	SCREW, Idle-Speed	1
68	64406	SCREW, Pan HD, #4-40 x .25, Reed	2
69	66054	SEMS, HEX-HD, #10-32 x 1.81, Carburetor	2
70	64372	SEMS, HEX-HD, #12-20 x .62, Cover, Crankcase	5
		Handle, Rear	1
		Stator	3
71	64373	SEMS, HEX-HD, #12-24 x .75, Handle, Rear	4
72	64374	SEMS, HEX-HD, #12-24 x .88, Starter, Housing	4
73	101672B	SEMS, Oval HD, .25-20 x 1.25, Handle, Front	2
74	63962A	SEMS, Pan HD, #8-32 x .62, Cover, Handle	2
75	66102	SEMS, HEX-HD, #10-32 x .38, Muffler	2
76	66378	SPACER, Muffler	2
77	65292	SPARKPLUG	1
78	60029	SPRING, Connector, Sparkplug	1

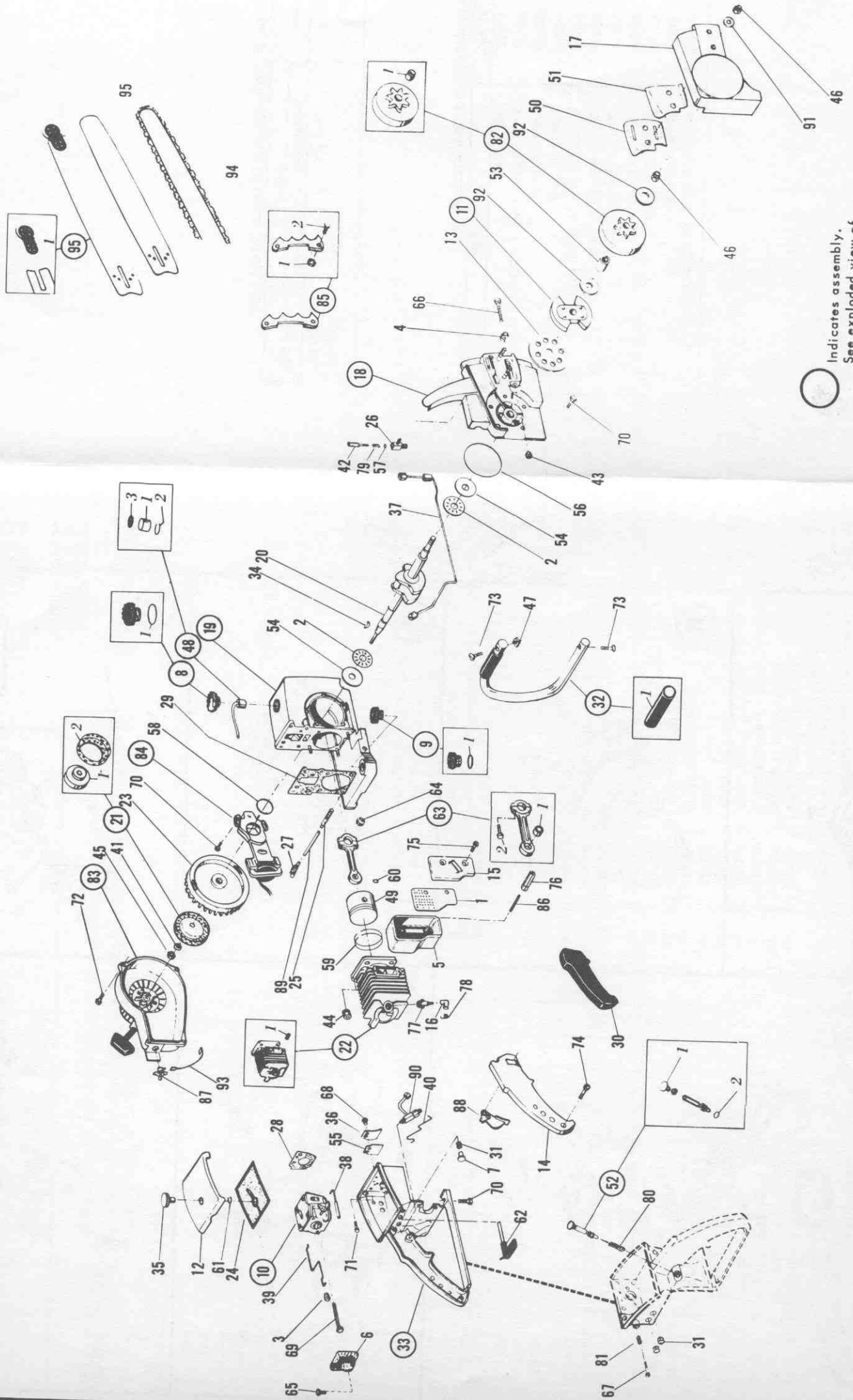
Key NO.	Part NO.	Description	QTY
79	64689	SPRING, Needle, Adjusting	1
80	64366	SPRING, Pump, Oil	1
81	64461†	SPRING, Screw, Idle-Speed	1
82	P7-259	SPROCKET ASSY, Includes:	1
-1	65021	BEARING, Roller	1
83	65016C	STARTER ASSY, Includes:	1
-1	64350***	BUSHING, Starter	1
-2	65858	CORD	1
-3	66671	HANDLE, Starter	1
-4	65082	HOUSING, Starter	1
-5	66672	INSERT, Handle	1
-6	60807	RING, Retainer	1
-7	66148	ROTOR, Starter	1
-8	66159	SHIELD, Dust	1
-9	65207	SHIELD, Spring	1
-10	65208	SHOE, Friction	1
-11	60809	SPRING, Brake	1
-12	65859	SPRING, Rewind	1
-13	64078	WASHER, Fiber	2
84	65215	STATOR ASSY, Ignition, Includes:	1
-1	65226	BREAKER	1
-2	65225	COIL	1
-3	65224	CONDENSER	1
-4	65221	COVER, Dust	1
-5	65222	GASKET, Cover	1
-6	65227††	SEAL, Felt	1
-7	65332††	WIPER, Felt	1
-8	65229	WIRE, Sparkplug	1
85	66308	STICKER KIT, Includes:	1
-1	64442	NUT, HEX, #12-24 x .62	2
-2	64372	SEMS, HEX-HD, #12-20 x .62	2
86	66325	STUD, Muffler	2
87	64345	SWITCH, Stop	1
88	64326R	THROTTLE	1
89	64974	TUBE, Pickup, Oil	1
90	66031	VALVE, Shut-Off	1
91	65051	WASHER, .31 ID x .75 OD, Bar, Guide	2
92	65035	WASHER, .31 ID x .83 OD, SPROCKET, Outer	1
		THRUST, Sprocket	1
93	64357	WIRE, Ground	1
94	20PF80	CHAIN	1
95	P1013N	BAR, Guide	1

†Parts Included in Carburetor #65406

††Parts Included in Breaker #65226

***Parts Included in Housing #65082

DO NOT USE KEY NUMBERS WHEN ORDERING SERVICE PARTS. ALWAYS USE PART NUMBERS PER ILLUSTRATED PARTS LIST.



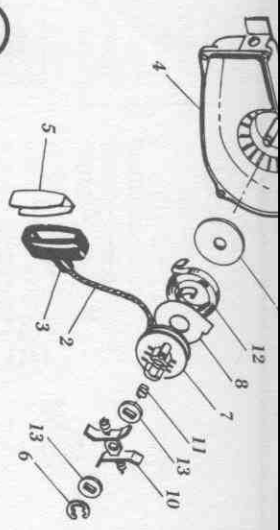
Indicates assembly.
See exploded view of
that assembly.

CHAIN & GUIDE BAR FOR SL-9 DELUXE CHAIN SAW

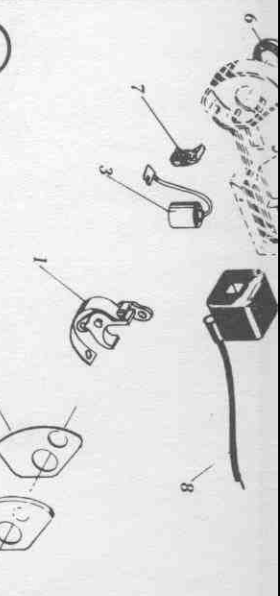
Capacity	Guide Bar		Chain NO.
	Roller Nose	Solid Nose	
15"	P1013N	P0013N	20PF80
15"			20PF80

SL-9 DELUXE CHAIN SAW ACCESSORIES

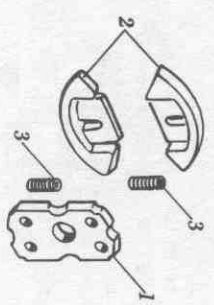
Part NO.	Description
13688	FILE, Flat
66487	FILE, Round, 1/8", 1/4" Chain
60729	GREASE GUN
14207	HANDLE, File
66488	HOLDER, File, (Includes File)
48411	OIL, Engine, Chain Saw
65940	ROLLERNOSE, 2.0"
66505	SET, Gauge
66375	SCREEN, Muffler
66364	WEDGE, Plastic
66976	WRENCH, HEX, .50 & Screwdriver



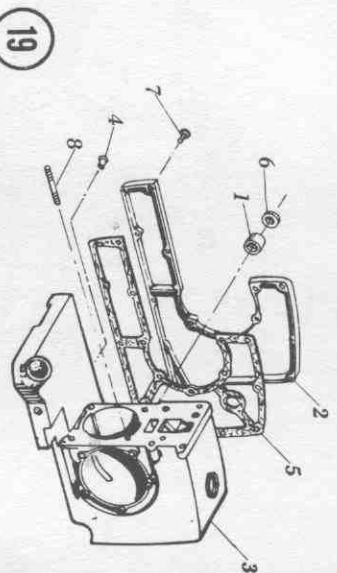
83



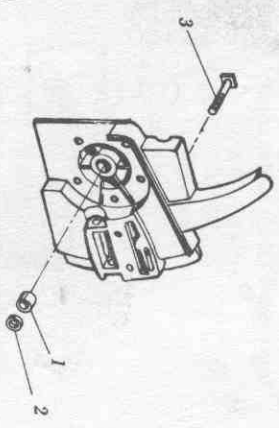
84



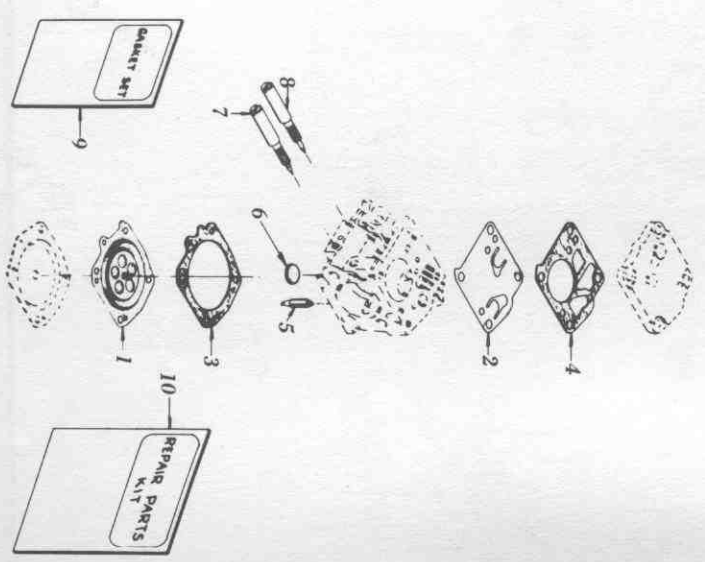
11



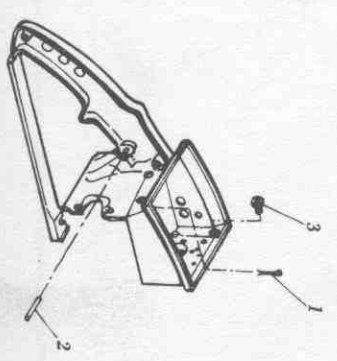
19



18



10



33