

REMINGTON

CHAIN SAW

Illustrated Parts List

PL-6

STARTING WITH
SERIAL KM3970

IMPORTANT

DO NOT USE KEY NUMBERS WHEN ORDERING SERVICE PARTS.

ALWAYS ORDER COMPONENTS BY PART NUMBER AND DESCRIPTION.
INCLUDE MODEL AND SERIAL NUMBERS.

| Key No. | Part No. | Description | QTY | Key No. | Part No. | Description | QTY |
|---------|----------|--|-----|---------|----------|---|-----|
| 1 | 64624 | BAFFLE, Muffler | 1 | 13 | 64647 | CLUTCH ASSY, [Before S/N LK 133], Includes: | 1 |
| 2 | 49628 | BEARING, Thrust | 2 | -1 | 64659 | HUB | 1 |
| 3 | 64327 | BELLOWS, Link, Trigger | 1 | -2 | 64978 | SHOE (Set of 2) | 1 |
| 4 | 49619 | BLOCK, Adjusting, Bar, Guide | 1 | -3 | 64438 | SPRING | 2 |
| 5 | 64635 | BOOT, Needle, Carburetor | 1 | 13 | 60861 | CLUTCH ASSY, [After S/N LK 133], Includes: | 1 |
| 6 | 64920 | BRACKET, Carburetor | 1 | -1 | 60089 | PLATE, Drive | 1 |
| 7 | 64409 | BUTTON, Choke, Plunger | 1 | -2 | 60088 | PLUNGER | 2 |
| 8 | 64368 | BUTTON, Latch, Trigger | 1 | -3 | 60087 | SHOE (Set of 2) | 1 |
| 9 | 64744 | CAM | 1 | -4 | 60090 | SPRING, Plunger | 2 |
| 10 | 64329 | CAP ASSY Fuel, Includes: | 1 | -5 | 60860 | SPRING, Shoe | 2 |
| -1 | 60303 | RING, "O" | 1 | 14 | 64607 | COVER, Carburetor | 1 |
| 11 | 64395 | CAP ASSY, Oil, Includes: | 1 | 15 | 64628 | COVER, Handle, Rear | 1 |
| | 64959 | RING, "O" | 1 | 16 | 64626 | COVER, Muffler | 1 |
| 12 | 65302 | CARBURETOR, Includes: | 1 | 17 | 60030 | COVER, Sparkplug | 1 |
| -1 | 64449 | BALL, Friction, Choke | 1 | 18 | 64610 | COVER, Sprocket | 1 |
| -2 | 64469 | CLIP, Shaft, Throttle | 1 | 19 | 65352 | COVER ASSY, Crankcase, Includes: | 1 |
| -3 | 64454 | COVER, Diaphragm | 1 | -1 | 60060 | BEARING, Roller | 1 |
| -4 | 64458 | COVER, Pump | 1 | -2 | 60058 | SEAL, Oil | 1 |
| -5 | 64453* | DIAPHRAGM, Main | 1 | -3 | 64358 | STUD, Bar, Guide | 2 |
| -6 | 64827* | DIAPHRAGM, Pump | 1 | -4 | 60079 | WASHER, Thrust | 1 |
| -7 | 64452 | GASKET, Diaphragm | 1 | 20 | 64612 | CRANKCASE ASSY, [Before S/N LM 272], Includes: | 1 |
| -8 | 64457 | GASKET, Pump | 1 | -1 | 60060 | BEARING, Roller | 1 |
| -9 | 64462* | LEVER, Control, Inlet | 1 | -2 | 64211 | SEAL, Oil | 1 |
| -10 | 64465* | NEEDLE, Inlet | 1 | -3 | 64766 | STUD | 4 |
| -11 | 64463* | PIN, Lever, Inlet | 1 | 20 | 65633 | CRANKCASE ASSY, [After S/N LM 272], Includes: | 1 |
| -12 | 64448* | PLUG, Welch, Large | 1 | -1 | 60060 | BEARING, Roller | 1 |
| -13 | 64447* | PLUG, Welch, Small | 1 | -2 | 65159 | SEAL, Oil | 1 |
| -14 | 64446 | RING, Retaining, Screen Channel | 1 | -3 | 64136 | STUD | 4 |
| -15 | 64445 | SCREEN, Channel | 1 | 21 | 64631 | CRANKSHAFT | 1 |
| -16 | 64466* | SCREEN, Inlet | 1 | 22 | 65312 | CUP ASSY, Starter, Includes: | 1 |
| -17 | 64470 | SCREW, Clip, Shaft, Throttle | 1 | -1 | 64242 | CUP | 1 |
| -18 | 64674* | SCREW, Mixture, High-Speed | 1 | -2 | 65169 | SCREEN | 1 |
| -19 | 64673* | SCREW, Mixture, Low-Speed | 1 | 23 | 64675 | CYLINDER, [Before S/N LM 272], Includes: | 1 |
| -20 | 64464* | SCREW, Retaining, Pin | 1 | -1 | 64653 | COVER, By-Pass, L.H. | 1 |
| -21 | 64470* | SCREW, Shutter, Throttle | 1 | -2 | 64652 | COVER, By-Pass, R.H. | 1 |
| -22 | 49135 | SEMS, Cover, Diaphragm, Main | 4 | -3 | 61408 | GASKET | 2 |
| -23 | 64455 | SEMS, Cover, Pump | 4 | -4 | 64658 | INSERT, Helicoil | 4 |
| -24 | 64450 | SHAFT, Choke | 1 | -5 | 62872A | SCREW, Cover | 4 |
| -25 | 64489 | SHAFT, Throttle | 1 | 23 | 65631 | CYLINDER, [After S/N LM 272], Includes: | 1 |
| -26 | 64451 | SHUTTER, Choke | 1 | -1 | 64653 | COVER, By-Pass, L.H. | 1 |
| -27 | 38121 | SHUTTER, Throttle | 1 | -2 | 64652 | COVER, By-Pass, R.H. | 1 |
| -28 | 43151 | SPRING, Friction, Choke | 1 | -3 | 61408 | GASKET | 2 |
| -29 | 64471* | SPRING, Return, Shaft, Throttle | 1 | -4 | 64658 | INSERT, Helicoil | 4 |
| -30 | 43150* | SPRING, Screw, Mixture, High-Speed Mixture, Low-Speed | 1 | -5 | 62872A | SCREW, Cover | 4 |
| -31 | 49152* | SPRING, Tension, Inlet | 1 | -1 | 64653 | COVER, By-Pass, L.H. | 1 |
| -32 | 64472* | GASKET SET | 1 | -2 | 64652 | COVER, By-Pass, R.H. | 1 |
| -33 | 64677 | REPAIR KIT | 1 | -3 | 61408 | GASKET | 2 |

* Parts Included in Repair Kit ■ Parts Included in Plunger Assembly

CS-33.2

| Key No. | Part No. | Description | QTY | Key No. | Part No. | Description | QTY |
|---------|----------|--|-----|---------|----------|--|-----|
| 23-4 | 64658 | INSERT, Helicoil | 4 | 62 | 60084 | RACE, Thrust | 2 |
| -5 | 62872A | SEMS, Pan HD, #10-24 x .62 | 4 | 63 | 64644 | RING, "O", Crankcase | 1 |
| | 64813 | DECAL, Identification, Cover, Sprocket (Not Shown) | 1 | 64 | 65258 | RING, "O", Plate, Stator | 1 |
| | 64678 | DECAL, Identification, Starter (Not Shown) | 1 | 65 | 65295 | RING, Piston (Set of 3) | 1 |
| | 65049 | DECAL, Instruction (Not Shown) | 1 | 66 | 65089 | RING, Retaining, Latch, Trigger | 1 |
| 24 | 64739 | FAN | 1 | 67 | 43499 | RING, Retaining, Piston | 2 |
| 25 | 64633 | FILTER, Air | 1 | 68 | 64386 | RING, Snap, Cover, Carburetor | 1 |
| 26 | 64967 | FILTER, Pickup, Oil | 1 | 69 | 64621 | ROD ASSY, Connecting, Includes: | 1 |
| 27 | 61379A | FITTING, Line, Fuel | 1 | -1 | 40125 | BEARING, Roller | 1 |
| 28 | 64364 | FITTING, Oil, Exhaust | 1 | -2 | 64656 | SCREW, Rod, Connecting | 2 |
| 29 | 64969 | FITTING, Oil, Intake | 1 | 70 | 60582B | ROLLER, Crank (Set of 24) | 1 |
| 30 | 64352A | GASKET, Carburetor, Front | 1 | 71 | 65429 | SCREW, .25-20 x 2.50, Adjusting, Bar, Guide | 1 |
| 31 | 64352 | GASKET, Carburetor, Rear | 1 | 72 | 107252 | SCREW, Plug, .25-28 x .25, Cylinder | 1 |
| 32 | 64634 | GASKET, Cylinder, [Before S/N LM272] | 1 | 73 | 64629* | SCREW, Idle-Speed | 1 |
| | 65634 | GASKET, Cylinder, [After S/N LM 272] | 4 | 74 | 64376 | SEMS, HEX-HD, #10-32 x 2.25, Carburetor | 2 |
| 33 | 64609 | GASKET, Plate, Reed | 1 | 75 | 64649 | SEMS, HEX Washer HD, #10-24 x .88, Cover, Muffler | 4 |
| 34 | 63250 | GRIP, Handle | 1 | 76 | 64372 | SEMS, HEX Washer HD, #12-24 x .62, Cover, Crankcase | 5 |
| 35 | 62845 | GROMMET, Choke | 1 | | | Sticker | 2 |
| 36 | 64623 | HANDLE ASSY, Front, Includes: | 1 | | | Support | 2 |
| -1 | 62335 | GRIP | 2 | 77 | 64373 | SEMS, HEX Washer HD, #12-24 x .75, Handle, Rear | 1 |
| 37 | 65354 | HANDLE ASSY, Rear, Includes: | 1 | | | Shroud | 4 |
| -1 | 105212 | PIN, Dowel | 1 | | | Tank | 4 |
| 38 | 64745 | KEY, Straight, Fan | 1 | 78 | 64374 | SEMS, HEX Washer HD, #12-24 x .87, Handle, Rear | 4 |
| 39 | 64328 | KNOB, Cover, Carburetor | 1 | 79 | 64375 | SEMS, HEX Washer HD, #12-24 x 1.00, Support | 1 |
| 40 | 48970C | LINE, Fuel | 1 | 80 | 64841 | SEMS, HEX Washer HD, .25-20 x .62, Ignition | 1 |
| 41 | 64615 | LINE, Oil, Exhaust | 1 | 81 | 64844 | SEMS, HEX Washer HD, .25-20 x 1.00, Ignition | 2 |
| 42 | 64965 | LINE, Oil, Intake | 1 | 82 | 64848 | SEMS, HEX Washer HD, .25-20 x 1.75, Cover, Crankcase | 1 |
| 43 | 64619 | LINK, Choke | 1 | 83 | 101672B | SEMS, Oval HD, .25-20 x 1.25, Handle | 3 |
| 44 | 64639 | LINK, Trigger | 1 | 84 | 63960A | SEMS, Pan HD, #8-32 x .38, Shield | 2 |
| 45 | 103270 | LOCKWASHER, .44 ID, Cup, Starter | 1 | 85 | 63962A | SEMS, Pan HD, #8-32 x .62, Cover, Handle | 2 |
| 46 | 103209 | LOCKWASHER, Cylinder, [Before S/N LM 272] | 4 | 86 | 64679 | SHIELD, Oil | 1 |
| | 103219 | LOCKWASHER, Cylinder, [After S/N LM 272] | 4 | 87 | 64325 | SPACER, Carburetor | 1 |
| 47 | 64442 | NUT, HEX, #12-24, Sticker | 2 | 88 | 64625 | SPACER, Muffler | 4 |
| 48 | 118332 | NUT, HEX, .25-20, Adjusting, Bar, Guide | 1 | 89 | 61411 | SPACER, Piston | 2 |
| 49 | 103120 | NUT, HEX, .25-28, Cylinder [Before S/N LM 272] | 4 | 90 | 65292 | SPARKPLUG | 1 |
| | 103141 | NUT, HEX, .31-24, Cylinder, [After S/N LM 272] | 4 | 91 | 60029 | SPRING, Connector, Sparkplug | 1 |
| 50 | 118315 | NUT, HEX, .38-24, Bar, Guide | 2 | 92 | 64367 | SPRING, Latch, Trigger | 1 |
| 51 | 103143 | NUT, HEX, .44-20, Cup, Starter | 1 | 93 | 64461* | SPRING, Screw, Idle-Speed | 1 |
| 52 | 103047 | NUT, SQ, #12-24, Handle, Rear | 1 | 94 | A26-408 | SPROCKET ASSY, [Before S/N LK 133], Includes: | 1 |
| 53 | 103048 | NUT, SQ, .25-20, Handle, Front | 1 | -1 | 65197 | BEARING & SEAL | 1 |
| 54 | 63780 | PICKUP ASSY, Fuel & Vent, Includes: | 2 | 94 | A2-408 | SPROCKET ASSY, [After S/N LK 133], Includes: | 1 |
| -1 | 64815 | FILTER | 1 | -1 | 65197 | BEARING & SEAL | 1 |
| -2 | 64915 | RING, Snap | 1 | 95 | 64617 | STARTER ASSY | 1 |
| -3 | 103641 | WASHER | 2 | -1 | 64350 | BUSHING | 1 |
| 55 | 64389 | PIN, Cotter, .03 x 50, Link, Choke | 1 | -2 | 60820D | CORD | 1 |
| 56 | 60701 | PISTON | 1 | -3 | 64431 | HANDLE | 1 |
| 57 | 63279 | PLATE, Bar, Guide, Inside | 1 | -4 | 64922 | HOUSING | 1 |
| 58 | 63279A | PLATE, Bar, Guide, Outside | 1 | -5 | 64432 | INSERT, Handle | 1 |
| 58A | 65637 | PLATE, Tank, [After S/N LM 272] | 2 | -6 | 60807 | RING, Retaining | 1 |
| 59 | 64676 | PLATE ASSY, Reed, Includes: | 1 | -7 | 60816A | ROTOR | 1 |
| -1 | 64648 | LIMITER | 2 | -8 | 64433 | SHIELD, Spring | 1 |
| -2 | 64642 | REED | 2 | -9 | 60832 | SHOE, Friction | 1 |
| -3 | 64578 | SCREW, Pan HD, #4-40 x .13 | 4 | | | | |
| 60 | 64821 | PLUG, Pipe, Tank, .13-27 NPTF | 1 | | | | |
| 61 | 64994 | PUMP ASSY, Oil (Manual) | 1 | | | | |
| -1 | 64691 | PLUNGER ASSY | 1 | | | | |
| -2 | 27785 ■ | RING, "O" | 1 | | | | |
| -3 | 64366 | SPRING | 1 | | | | |

* Parts Included In Repair Kit & Carburetor ■ Parts Included in Plunger Assembly

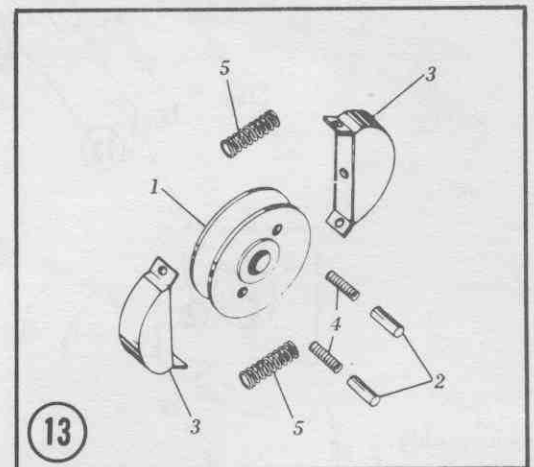
| Key No. | Part No. | Description | QTY |
|---------|----------|----------------------------------|-----|
| 95-10 | 60809 | SPRING, Brake | 1 |
| -11 | 60817A | SPRING, Rewind | 1 |
| -12 | 64078 | WASHER, Fiber | 2 |
| -13 | 60808 | WASHER, Retainer, Brake | 1 |
| -14 | 64245 | WASHER, Rope | 1 |
| 96 | 64769 | STATOR ASSY, Ignition, Includes: | 1 |
| -1 | 64750 | BREAKER ASSY | 1 |
| -2 | 64753 | CLAMP, Condenser | 1 |
| -3 | 60153 | CLAMP, Cover | 1 |
| -4 | 65173 | CLIP, Cable | 1 |
| -5 | 64754 | CLIP, Coil | 1 |
| -6 | 65187 | COIL ASSY | 1 |
| -7 | 64758 | CONDENSER | 1 |
| -8 | 64742 | COVER, Dust | 1 |
| -9 | 64743 | GASKET, Cover | 1 |
| -10 | 64746** | INSULATOR | 1 |
| -11 | 103202** | LOCKWASHER | 1 |
| -12 | 60202** | NUT | 1 |
| -13 | 64748† | RING, Retaining | 1 |
| -14 | 64756 | SCREW, Coil | 1 |
| -15 | 60156 | SEMS, Breaker | 1 |
| -16 | 64752 | SEMS, Condenser | 1 |
| -17 | 64757 | STATOR | 1 |
| -18 | 64747** | STUD | 1 |
| -19 | 64737 | TERMINAL ASSY | 1 |

| Key No. | Part No. | Description | QTY |
|---------|----------|---|-----|
| 96-20 | 64749† | WASHER, Thrust | 1 |
| -21 | 64751† | WIPER, Felt | 1 |
| -22 | 65188†† | WIRE, Sparkplug | 1 |
| 97 | 64669 | STICKER | 1 |
| 98 | 64645 | SUPPORT, Handle, Rear | 1 |
| 99 | 64345 | SWITCH, Ignition | 1 |
| 100 | 65356 | TANK ASSY, Fuel & Oil, Includes: | 1 |
| -1 | 65357 | BODY, Tank | 1 |
| -2 | 65359 | COVER, Tank | 1 |
| -3 | 65133 | FITTING, Vent, Body | 1 |
| -4 | 60383 | FITTING, Vent, Cover | 1 |
| -5 | 65361 | GASKET | 1 |
| -6 | 64762 | RETAINER, Fuel | 1 |
| -7 | 63962A | SEMS, Pan HD, #8-32 x .62 | 19 |
| -8 | 64805 | VALVE, Vent | 1 |
| 101 | 64326 | TRIGGER, Throttle | 1 |
| 102 | 64968 | TUBE, Pickup, Oil | 1 |
| 103 | 62187 | WASHER, Flat, Bar, Guide | 2 |
| 104 | 103607 | WASHER, Flat, Cover, Crankcase Ignition | 3 |
| 105 | 65703 | WASHER, Flat, Screw, Tank, [After S/N LM 272] | 1 |
| 106 | 60062 | WASHER, Thrust | 1 |
| 107 | 64357 | WASHER, Ground | 1 |

** Parts Included in Terminal Assembly † Parts Included in Breaker Assembly †† Parts Included in Coil Assembly

| PL-6 CHAIN SAW ACCESSORIES | |
|----------------------------|------------------------------------|
| Part No. | Description |
| 13688 | FILE, Flat, 8" x 5/8" |
| 35219 | FILE, Round, 8" x 7/32" .404 Chain |
| 48535 | GAGE SET, .025-.035 Clearance |
| 64889 | GUIDE, File, .404 |
| 65306 | GUN, Grease |
| 14207 | HANDLE, File |
| 18347 | LUBRICANT, Nose, Roller |
| 48411 | OIL, Engine |
| 48520 | NOSE, Roller, 2-1/2 |
| 60730 | TIP, Replacement, Gun, Grease |
| 50319 | WEDGE |
| 65289 | WEDGE, Cycloc |
| 64559 | WRENCH, 9/16 HEX & Screwdriver |
| 64927 | WRENCH, 3/4 HEX |

| CHAIN & GUIDE BARS FOR PL-6 CHAIN SAW | | | |
|---------------------------------------|-----------------------|-----------------------|-----------|
| Capacity | Roller Nose Guide Bar | Welded Nose Guide Bar | Chain No. |
| 18" | A 2815 | A0815 | 48PF62 |
| 21" | A 2817 | A0817 | 48PF72 |
| 24" | A 2820 | A0820 | 48PF79 |
| 31" | A 2825 | | 48PF95 |
| 38" | A 2830 | | 48PF112 |
| 41" | A 2835 | | 48PF119 |



After S/N LK 133

CS-33.2

DO NOT USE KEY NUMBERS WHEN ORDERING SERVICE PARTS. ALWAYS USE PART NUMBERS PER ILLUSTRATED PARTS LIST.

