

REMINGTON CHAIN SAW

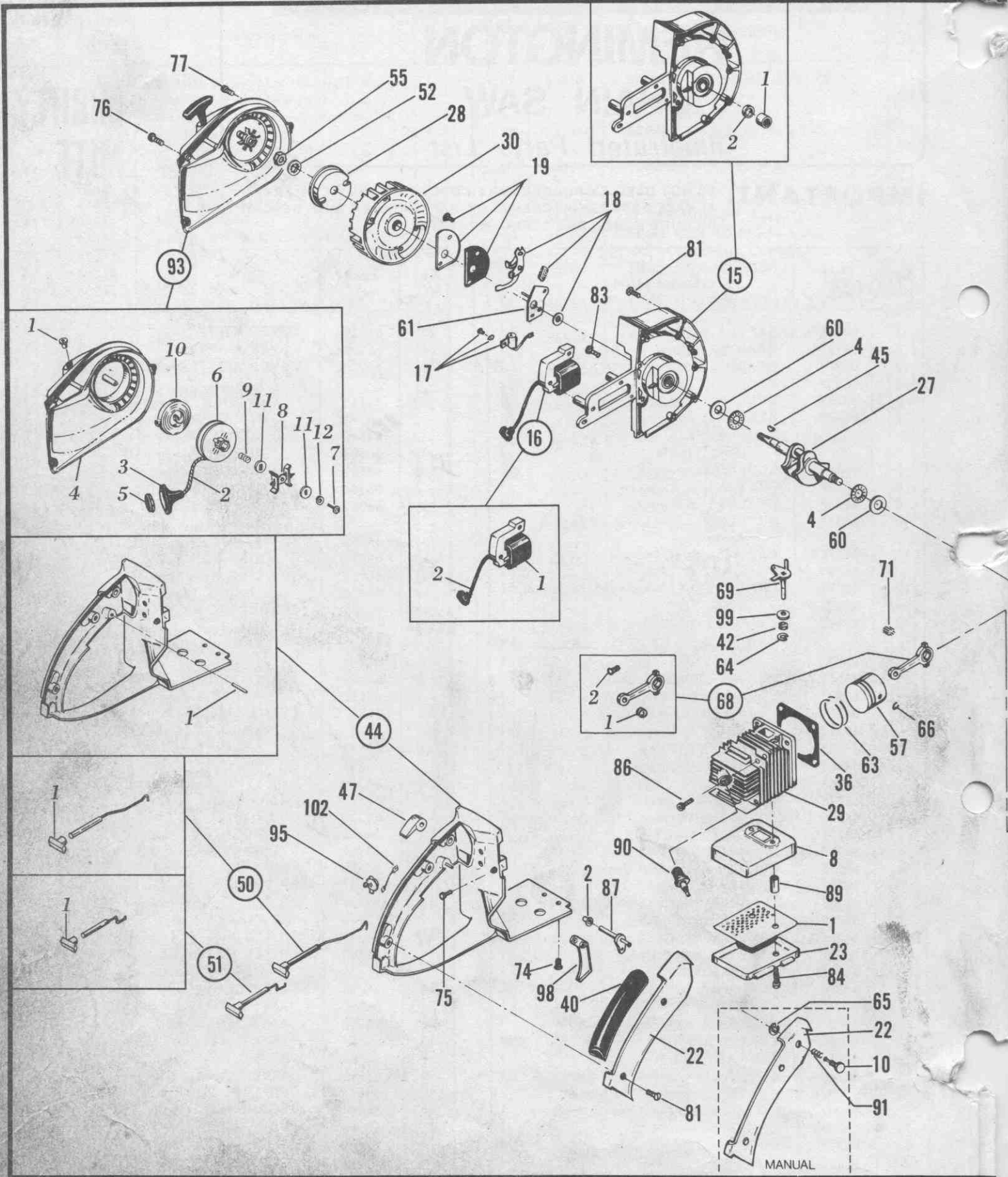
Illustrated Parts List

**MIGHTY
MITE**

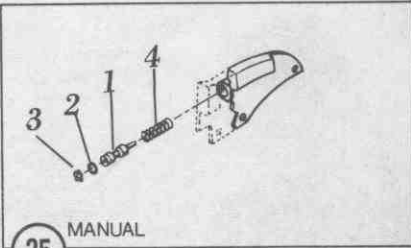
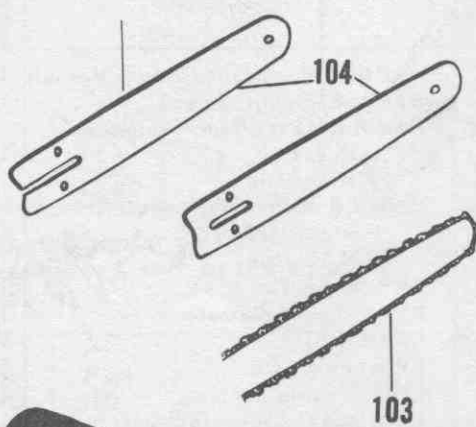
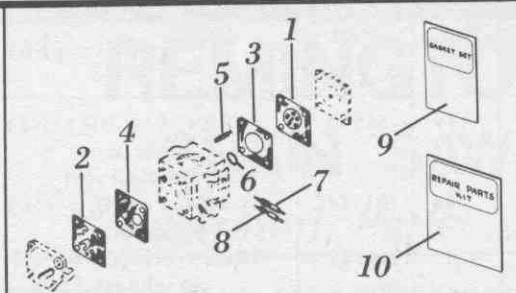
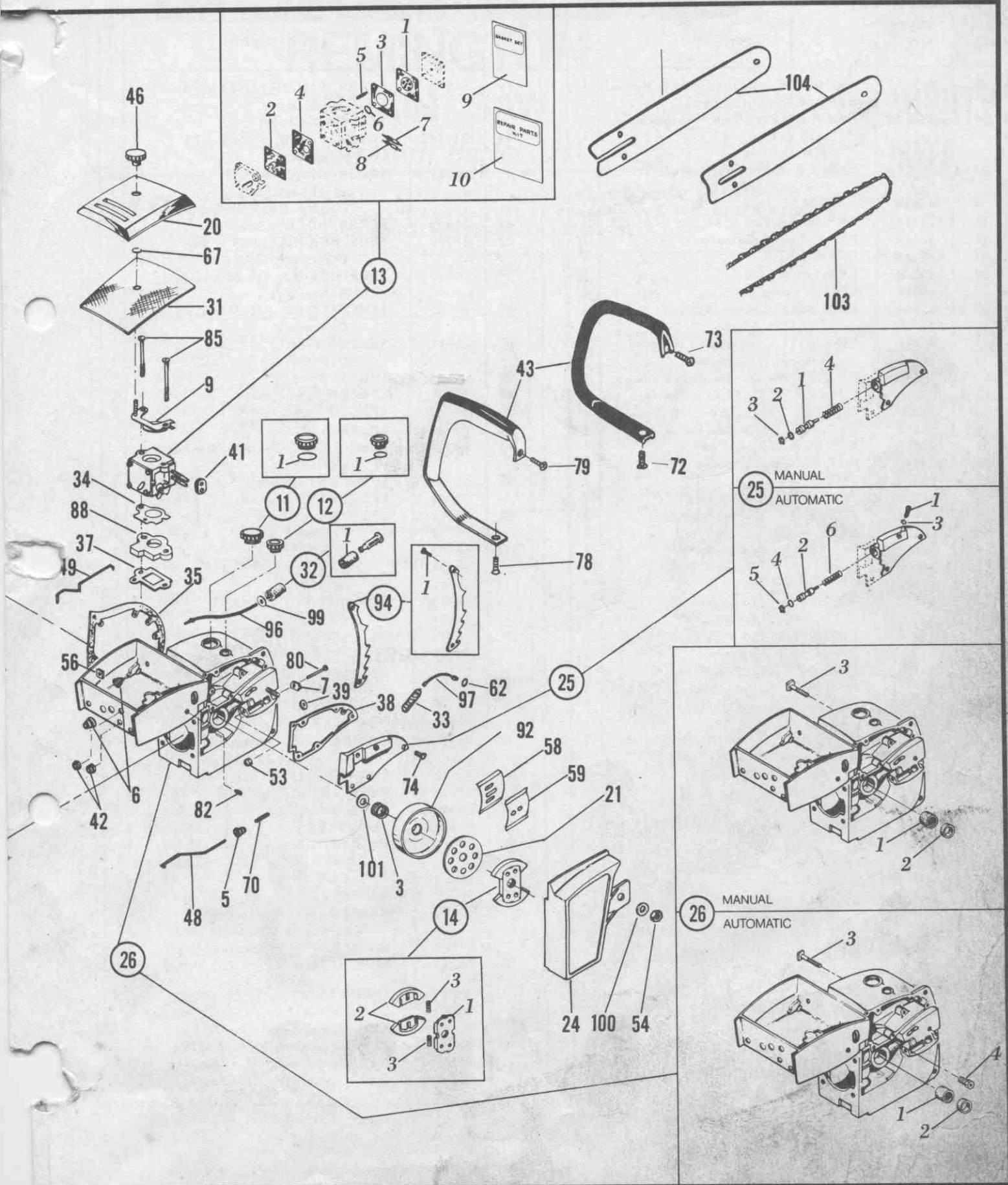
IMPORTANT DO NOT USE KEY NUMBERS WHEN ORDERING SERVICE PARTS.
ALWAYS ORDER COMPONENTS BY PART NUMBER AND DESCRIPTION.
INCLUDE MODEL AND SERIAL NUMBERS.

Key NO.	Part NO.	Description	QTY	Key NO.	Part NO.	Description	QTY
1	66291	BAFFLE, Muffler	1	23	66228	COVER, Muffler	1
2	63169	BEARING, Nyliner	1	24	66208C	COVER, Sprocket	1
3	66236	BEARING, Sprocket	1	25	66274C	COVER ASSY, Tank, Oil, (Automatic), Includes:	1
4	66233	BEARING, Thrust	2	-1	66443	NEEDLE, Adjusting, Oil	1
5	66285	BELLOWS, Tank, Oil	1	-2	66293	PLUNGER, Pump, Oil	1
6	64327	BELLOWS, Link, Oil	1	-3	64682	RING, "O", Needle, Adjusting	1
		Link, Throttle	1	-4	38684	RING, "O", Pump, Oil	1
7	66256	BLOCK, Adjusting	1	-5	66753	RING, Retaining	1
8	66227	BODY, Muffler	1	-6	66264	SPRING, Pump, Oil	1
9	66242	BRACKET, Carburetor	1	25	66769C	COVER ASSY, Tank, Oil, (Manual & Bantam), Includes:	1
10	66283	BUTTON, Throttle, Latch, (Manual & Bantam)	1	-1	66293	PLUNGER Pump, Oil	1
11	66278R	CAP ASSY, Fuel, Includes:	1	-2	38684	RING, "O", Pump, Oil	1
-1	66736	RING "O"	1	-3	66753	RING, Retaining	1
12	66279	CAP ASSY, Oil, (Automatic), Includes:	1	-4	66264	SPRING, Pump, Oil	1
-1	66737	RING, "O"	1	26	66272C	CRANKCASE ASSY, (Automatic), Includes:	1
12	66800	CAP ASSY, Oil, (Manual & Bantam), Includes:	1	-1	66232	BEARING, Roller	1
-1	66737	RING, "O"	1	-2	66231	SEAL	1
13	66217	CARBURETOR, Includes:	1	-3	66249	STUD, Bar, Guide	1
-1	66770*	DIAPHRAGM, Main	1	-4	65609	VALVE, Check	1
-2	66771*	DIAPHRAGM, Pump	1	26	66767C	CRANKCASE ASSY, (Manual & Bantam), Includes:	1
-3	66772	GASKET, Diaphragm	1	-1	66232	BEARING, Roller	1
-4	66773	GASKET, Pump	1	-2	66231	SEAL	1
-5	64465	NEEDLE, Inlet	1	-3	66249	STUD, Bar, Guide	1
-6	67368	PLUG	1	27	66215	CRANKSHAFT	1
-7	66776	SCREW, Mixture, "Hi" Speed	1	28	66220	CUP, Starter	1
-8	66775	SCREW, Mixture, "Lo" Speed	1	29	66201	CYLINDER, (Automatic)	1
-9	66921*	GASKET SET	1		66768	CYLINDER, (Manual & Bantam)	1
-10	66922	REPAIR KIT	1	30	66670	FAN	1
14	66218	CLUTCH ASSY, Includes:	1	31	66241	FILTER, Air	1
-1	66787	PLATE, Drive	1	32	66944	FILTER ASSY, Pickup, Fuel	1
-2	66788	SHOE, Friction (Set of 2)	1	-1	67016	FILTER, Felt	1
-3	66789	SPRING, Clutch	2	33	66267	FILTER, Pickup, Oil, (Automatic)	1
15	66766C	COVER ASSY, Crankcase, Includes:	1		67590	FILTER, Pickup, Oil, (Manual & Bantam)	1
-1	66232	BEARING, Roller	1	34	66253	GASKET, Carburetor	1
-2	66231	SEAL, Oil	1	35	66251	GASKET, Crankcase	1
16	66850	COIL ASSY, Includes:	1	36	66252	GASKET, Cylinder	1
-1	66852	COIL	1	37	66254	GASKET, Spacer	1
-2	66857	LEAD, High Tension	1	38	66255	GASKET, Tank, Oil	1
17	66855	CONDENSER KIT	1	39	66911	GASKET, Tank, Oil, Cover	1
18	66864	CONTACT SET	1	40	66441	GRIP, Handle, Rear	1
19	66810	COVER KIT	1	41	66244	GROMMET, Carburetor	1
20	66207R	COVER, Carburetor, (Automatic)	1	42	62845	GROMMET, Choke	1
	66207C	COVER, Carburetor, (Manual & Bantam)	1			Compression Release, (Automatic)	3
21	66754	COVER, Clutch	1				
22	66206C	COVER, Handle, Rear, (Automatic)	1				
	66802C	COVER, Handle, Rear, (Manual & Bantam)	1				

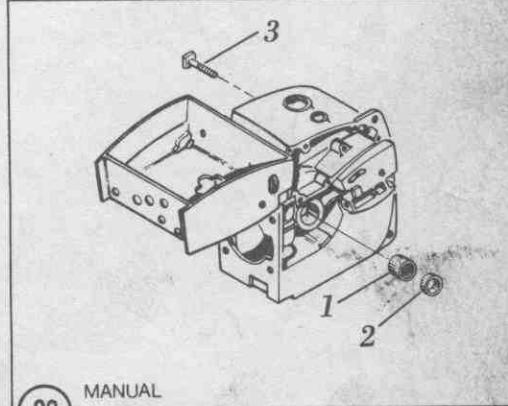
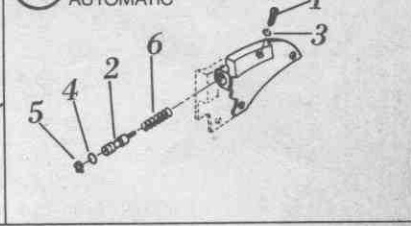
*Parts included in Repair Kit #66922



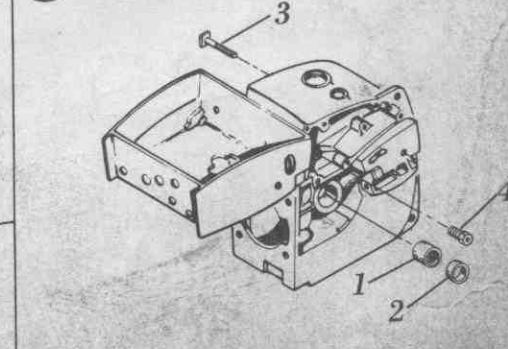
ORDERING SERVICE PARTS. ALWAYS USE PART NUMBERS PER ILLUSTRATED PARTS LIST.



25
 MANUAL
 AUTOMATIC



26
 MANUAL
 AUTOMATIC



CS-41.2

Key NO.	Part NO.	Description	QTY
43	66284C	HANDLE, Front, (Automatic & Manual)	1
	67750C	HANDLE, Front, (Bantam)	1
44	66804C	HANDLE ASSY, Rear, (Automatic), Includes: PIN, Throttle	1
-1	41634	PIN, Throttle	1
44	66275C	HANDLE ASSY, Rear, (Manual & Bantam), Includes: PIN, Throttle	1
-1	41634	PIN, Throttle	1
45	104364	KEY, Woodruff	1
46	67477	KNOB, Cover, Carburetor	1
47	66211	LEVER, Oil	1
48	66248	LINK, Pump, Oil	1
49	66246	LINK, Throttle	1
50	66714	LINK ASSY, Choke, Includes: BUTTON, Choke	1
-1	66680A	LINK ASSY, Compression Release, (Automatic), Includes: BUTTON, Compression Release	1
-1	66680B	LOCKWASHER, .31, Cup, Starter	1
52	103268	NUT, HEX, #8-32, Screw, Adjusting	1
53	118330	NUT, HEX, .25-28, Bar, Guide	1
54	66258	NUT, HEX, .31-24, Fan	1
55	103141	NUT, SQ. #10-24, Handle, Rear	2
56	103046	PISTON	1
57	66276	PLATE, Bar, Guide, Inside	1
58	66238	PLATE, Bar, Guide, Outside	1
59	66239	RACE, Thrust	2
60	66234	RETAINER, Washer, Felt	1
61	66861	RING, "O", Oil, Tube, Pickup	2
62	44905	RING, Piston (Set of 2)	1
63	66240A	RING, Retaining, Compression Release, (Automatic)	1
64	66757	RING, Retaining, Latch, Throttle, (Manual & Bantam)	1
65	65089	RING, Retaining, Pin, Piston	2
66	65058	RING, Snap, Cover, Carburetor	1
67	66738	ROD ASSY, Connecting, Includes: BEARING, Roller	1
68	66277	SCREW, Socket HD, #6-40 x .44	2
-1	66235	ROD, Compression Release, (Automatic)	1
-2	66280	ROD, Plunger, Pump, Oil	1
69	66287	ROLLER, Strip	1
70	66296	SCREW, Binding-HD, #12-24 x .56, (Bantam), Handle, Front	1
71	65020C	SCREW, Binding-HD, #12-24 x .75, (Bantam), Handle, Front	1
72	67764	SCREW, Flat-HD, #6 x .38, Handle, Rear	2
73	67765	SCREW, Flat-HD, #6 x .38, Tank, Oil, Cover	4
74	66724	SCREW, Flat-HD, #10-24 x .62, Handle, Rear	2
75	66906	SCREW, Flat-HD, #10-24 x .75, Starter	2
76	66907	SCREW, Flat-HD, #10-24 x 1.12, Starter	1
77	66908	SCREW, Flat-HD, #12-24 x .62, (Automatic & Manual), Handle, Front	1

Key NO.	Part NO.	Description	QTY
79	66910	SCREW, Flat-HD, #12-24 x .75, (Bantam) Handle Front	1
80	101114C	SCREW, Fil-HD, #8-32 x 1.75 Adjusting	1
81	66721	SCREW, Fil-HD, #6 x .62, Crankcase, Cover Handle, Rear, Cover	7
82	66442	SCREW, "IDLE", Speed	2
83	66260	SEMS, HEX-HD, #10-24 x .62, Crankcase, Cover	1
84	66262	SEMS, HEX-HD, #10-24 x 1.12, Muffler	4
85	66263	SEMS, HEX-HD, #10-24 x 2.12, Carburetor	2
86	66918	SEMS, Socket-HD, #12-24 x .62, Cylinder	2
87	66300 67969	SHAFT, Pump, Oil	4
88	66226	SPACER, Carburetor	1
89	66438	SPACER, Muffler	1
90	65292	SPARKPLUG	2
91	64367A	SPRING, Latch, Throttle, (Manual & Bantam)	1
92	90226	SPROCKET, (Automatic & Manual)	1
	93032	SPROCKET, (Bantam)	1
93	66219C	STARTER ASSY, Includes: BUSHING, Starter	1
-1	66799**	CORD	1
-2	66792	HANDLE	1
-3	66671	HOUSING	1
-4	66791C	INSERT, Handle	1
-5	66672	ROTOR	1
-6	66794	SEMS	1
-7	67039	SHOE, Friction	1
-8	66795 68382	SPRING, Brake	1
-9	66796	SPRING, Rewind	1
-10	66797	WASHER, Fiber	1
-11	66798	WASHER, Steel	1
-12	67040	STICKER KIT, (Automatic), Includes: SEMS, #8-32 x .38	2
94	66923	SWITCH, Stop	1
-1	63960A	TUBE KIT, Pickup, Fuel	1
95	66668	TUBE, Pickup, Oil	1
96	67350	THROTTLE	1
97	64361	WASHER, Steel, Compression Release, (Automatic)	1
98	66223R	Fuel, Filter	1
99	103606	WASHER, Thrust, Sprocket (Automatic & Manual)	1
100	66257	WASHER, Thrust, Sprocket, (Bantam)	1
101	66250	WIRE, Ground	1
	67770	CHAIN, (Automatic)	1
102	64357	CHAIN, (Manual)	1
103	20PF72	CHAIN, (Bantam)	1
	20PF64	BAR, Guide, M4012N, (Automatic)	1
	20PF56	BAR, Guide, M4010N, (Manual)	1
104	90670	BAR, Guide, M4008N, (Bantam)	1
	90643		1
	90685		1

**Parts included in Housing #66791C