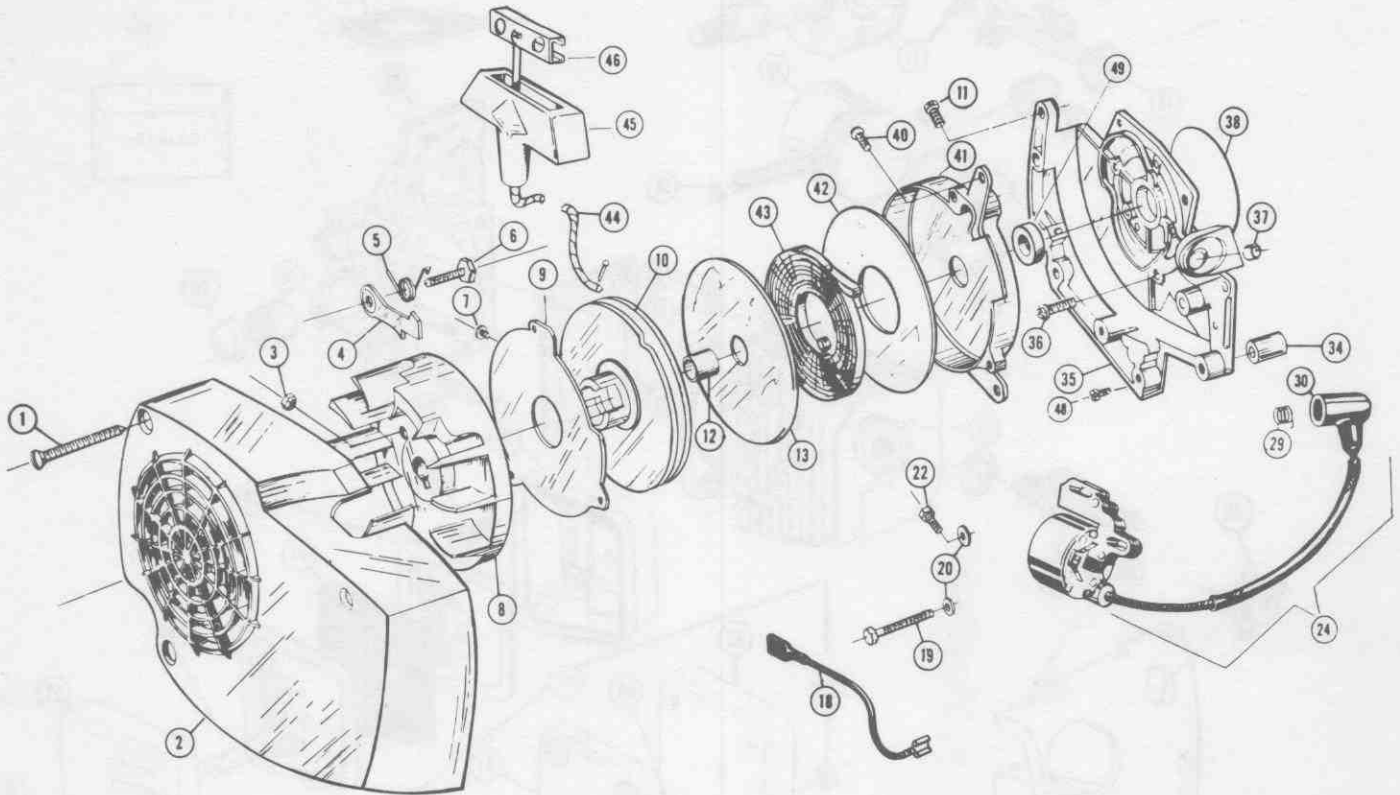


POULAN CHAIN SAWS – PARTS LIST
Model 245A

10/78

Fig. 1



| Ref. No. | Part No. | Qty. Req. | Description | Ref. No. | Part No. | Qty. Req. | Description |
|----------|----------|-----------|------------------------------------|----------|----------|-----------|---|
| 1 | 15007 | 3 | Screw 10-24 x 2-7/16 | 29 | 3933 | 1 | Connector |
| 2 | 11017 | 1 | Housing - Fan | 30 | 3934 | 1 | Boot - Spark Plug Wire |
| 3 | 1720 | 2 | Nut - Starter Dog | 34 | 23107 | 1 | Spacer |
| 4 | 22021 | 2 | Dog - Starter | 35 | 10253 | 1 | Bearing Carrier |
| 5 | 42017 | 2 | Spring - Starter Dog | | | | w/Rope Bushing |
| 6 | 15005 | 2 | Bolt - Starter Dog | 36 | 15042 | 4 | Screw - Carrier Mount |
| 7 | 15004 | 3 | Screw - Starter | 37 | 23022 | 1 | *Bushing - Starter Rope |
| 8 | 39086 | 1 | Flywheel | 38 | 19004 | 1 | *O'Ring |
| 9 | 42015 | 1 | Cover - Starter | 40 | 15037 | 3 | Screw - Starter Mount |
| 10 | 10063 | 1 | Starter Pulley Ass'y. w/Bearing | 41 | 11172 | 1 | Starter Housing Includes Pin |
| 11 | 15038 | 2 | Screw | 42 | 22085 | 1 | Disc - Starter Bottom |
| 12 | 32001 | 1 | Bearing - Starter Pulley | 43 | 42012 | 1 | Spring - Recoil |
| 13 | 42016 | 1 | Disc - Starter - Top | 44 | 10062 | 1 | Rope - Assembly |
| 18 | 39091 | 1 | Leadwire - Switch | 45 | 4266 | 1 | Handle - Starter |
| 19 | 15326 | 1 | Screw | 46 | 4268 | 1 | Anchor - Handle |
| 20 | 1520 | 2 | Washer No. 8 | 48 | 15038 | 1 | Screw - Cyl. Shroud to Bearing Carrier |
| 22 | 1554 | 1 | Screw | 49 | 19042 | 1 | Seal |
| 24 | 39089 | 1 | Module - Ignition | | | | |

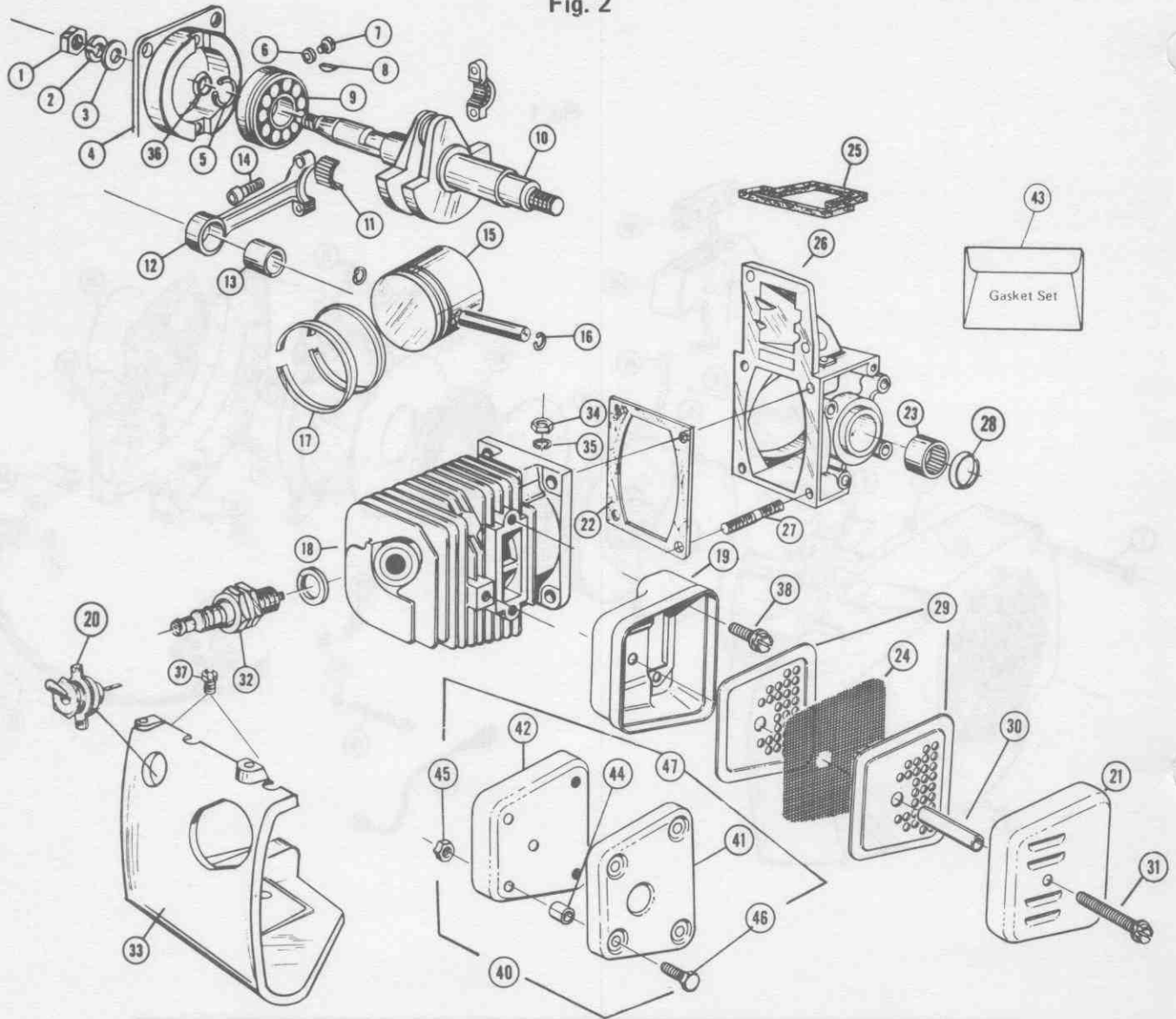
*) Indicates Contents of Gasket Kit

POULAN CHAIN SAWS – PARTS LIST

Model 245A

10/78

Fig. 2



| Ref. No. | Part No. | Qty. Req. | Description | Ref. No. | Part No. | Qty. Req. | Description | Ref. No. | Part No. | Qty. Req. | Description |
|----------|----------|-----------|--------------------------------|----------|----------|-----------|--------------------------|----------|----------|-----------|--|
| 1 | 1733 | 1 | Nut - Crankshaft | 19 | 24191 | 1 | Muffler Body Assy. | 36 | 19042 | 1 | Seal - Bearing Carrier |
| 2 | 1635 | 1 | Washer - Lock | 20 | 2582 | 1 | Switch - Plate & Nut | 37 | 1643 | 2 | Screw - Cyl. Shroud |
| 3 | 1626 | 1 | Washer - Flat | 21 | 24096 | 1 | Cover - Muffler | 38 | 15298 | 2 | Screw - Muffler Mount. |
| 4 | 10253 | 1 | Bearing Carrier | 22 | 19001 | 1 | *Gasket - Cylinder | 40 | 10261 | 1 | Cover & Shield Assy. (opt.) Incl. 41, 42, 44, 45, & 46 |
| 5 | 15011 | 1 | Ring Retaining | 23 | 32011 | 1 | Bearing | | | | |
| 6 | 15225 | 2 | Washer - Bearing Ret. | 24 | 24092 | 1 | Screen - Muffler | | | | |
| 7 | 1706 | 2 | Screw - Bearing Ret. | 25 | 19006 | 1 | *Dust Seal | 41 | 24205 | 1 | Heat Shield (opt.) |
| 8 | 2595 | 1 | Key Flywheel | 26 | 10049 | 1 | Crankcase Assembly | 42 | 24206 | 1 | Cover - Muffler (opt.) |
| 9 | 3208 | 1 | Bearing | | | | Includes: | 43 | 69024 | 1 | *Gasket Kit |
| 10 | 22174 | 1 | Crankshaft | 27 | 1704 | 4 | Stud - Cylinder | 44 | 15331 | 4 | Spacer - Cover (opt.) |
| 11 | 32015 | 1 | Needles (Strip of 28) | 28 | 1936 | 1 | *Seal | 45 | 15332 | 4 | Locking Nut 8-32 (opt.) |
| 12 | 10071 | 1 | Connecting Rod Assy. Includes: | 29 | 24093 | 2 | Baffle - Muffler | 46 | 15333 | 4 | Screw - Hex Slotted 8-32 x 7/16 (opt.) |
| 13 | 646520 | 1 | Bearing - Wrist Pin | 30 | 15325 | 1 | Spacer - Muffler | | | | |
| 14 | 15094 | 2 | Screw | 31 | 15324 | 1 | Screw | 47 | 69036 | 1 | Kit Muffler - Heat Shield, Incl. item 40 & instructions. |
| 15 | 23253 | 1 | Piston & Pin | 32 | 3014 | 1 | Spark Plug & Gasket 3014 | | | | |
| 16 | 15347 | 2 | Lock Ring | 33 | 11108 | 1 | Shroud - Cylinder | | | | |
| 17 | 2638 | 2 | Piston Rings | 34 | 23012 | 4 | Nut - Cylinder | | | | |
| 18 | 11564 | 1 | Cylinder | 35 | 1677 | 4 | Washer - Lock | | | | |

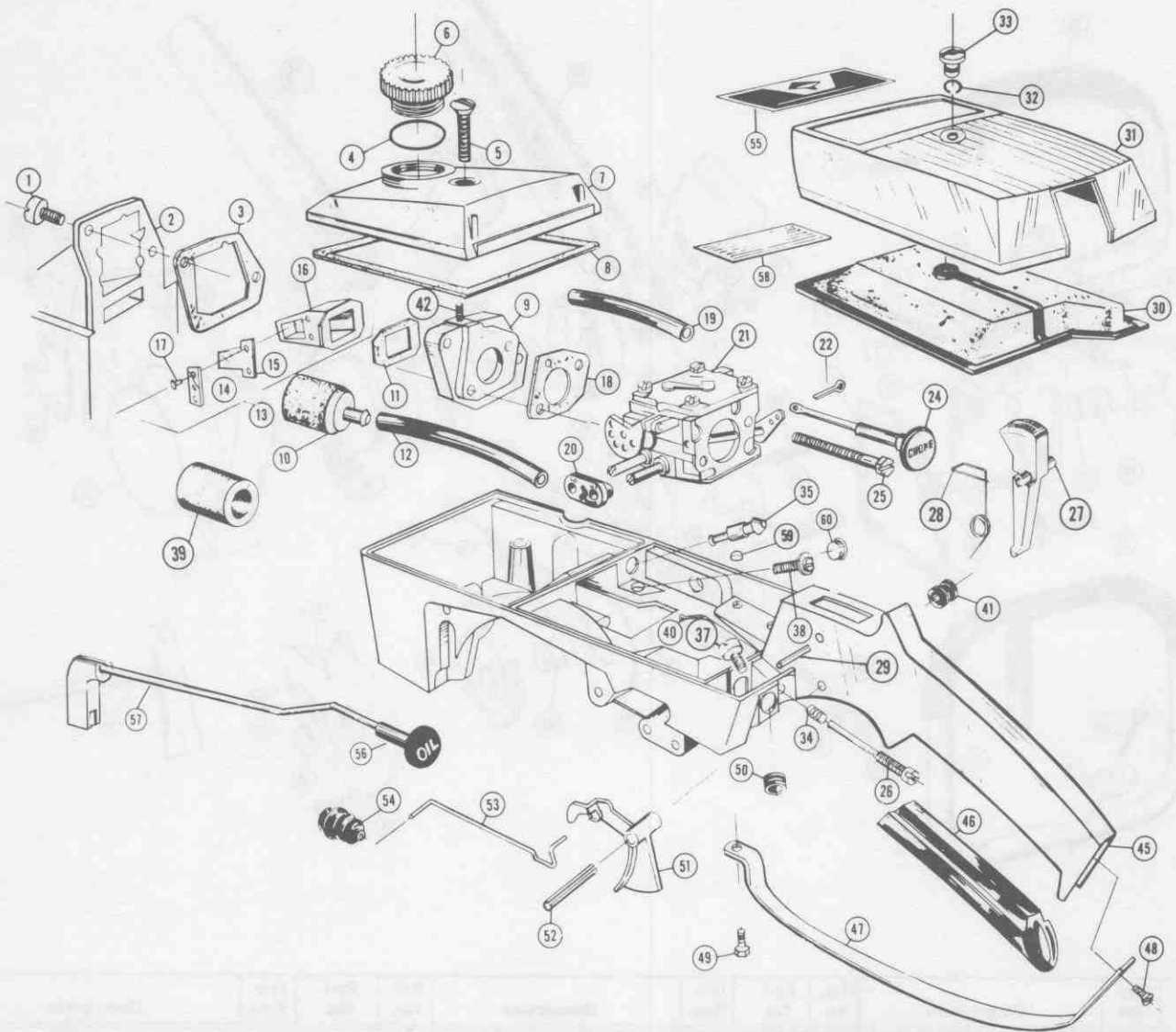
(*) Indicates Contents of Gasket Kit

POULAN CHAIN SAWS – PARTS LIST

Model 245A

Fig. 3

10/78



| Ref. No. | Part No. | Qty. Req. | Description | Ref. No. | Part No. | Qty. Req. | Description | Ref. No. | Part No. | Qty. Req. | Description |
|----------|----------|-----------|---|----------|----------|-----------|--|----------|----------|-----------|------------------------------|
| 1 | 1686 | 2 | Screw | 19 | 21003 | 1 | Line - Fuel to Carburetor No. 8109 Line | 39 | 34032 | 1 | Filter - Fuel |
| 2 | 10049 | 1 | Crankcase | 20 | 23006 | 1 | * Grommet - Carbr'tr Screw | 40 | 1696 | 1 | Cotter Pin - Crankcase Drain |
| 3 | 19022 | 1 | * Gasket - Carburetor - Adapter to C/Case | 21 | 34016 | 1 | Carburetor (See separate page for parts) | 41 | 2594 | 1 | * Grommet |
| 4 | 1915 | 1 | * O'Ring - Gas Cap Assy. | 22 | 15154 | 1 | Cotter Pin 3/32 x 1/2 | 42 | 15001 | 1 | Stud - Adapter |
| 5 | 15069 | 1 | Screw - Gas Tank Cover | 23 | 23413 | 1 | Choke Rod - Includes: | 45 | 10035 | 1 | Tank & Handle Assembly |
| 6 | 10022 | 1 | Gas Cap Assembly | 25 | 15002 | 2 | Screw - Carburetor Mount | 46 | 23052 | 1 | Grip - Handle |
| 7 | 11161 | 1 | Cover - Fuel Tank | 26 | 10017 | 1 | Screw - Idle | 47 | 23094 | 1 | Handle Brace - Rear |
| 8 | 19005 | 1 | * Gasket - Fuel Tank | 27 | 23562 | 1 | Button - Throttle Lock | 48 | 15023 | 1 | Screw - Brace Mount |
| 9 | 10004 | 1 | Adapter Assembly | 28 | 15102 | 1 | Roll Pin - Throttle Lock | 49 | 15037 | 1 | Screw - Brace Mount |
| 10 | 3792 | 1 | Fuel Pick-Up | 29 | 15103 | 1 | Spring - Throttle Lock | 50 | 23067 | 1 | * Nyloner |
| 11 | 19008 | 1 | * Gasket - Reed Valve | 30 | 23046 | 1 | Filter - Air | 51 | 23563 | 1 | Trigger |
| 12 | 2161 | 1 | Fuel Line Pick-Up No. 8120 Line | 31 | 11044 | 1 | Cover - Air Filter | 52 | 15008 | 1 | Roll Pin |
| | 2383 | 1 | Reed Valve Includes: | 32 | 15003 | 1 | Ring - Retainer | 53 | 23048 | 1 | Rod - Throttle |
| | 2580 | 4 | Stop Reed | 33 | 15071 | 1 | Nut - Filter Cover | 54 | 2597 | 1 | * Boot - Throttle |
| 15 | 2579 | 4 | Reed | 34 | 3429 | 1 | Spring - Idle Screw | 55 | 23316 | 1 | Decal (Model 245A) |
| 16 | 1368 | 1 | Block - Reed | 35 | 23001 | 1 | Fitting - Fuel Tank | 56 | 23003 | 1 | Button - Oiler |
| 17 | 1713 | 8 | Screw 4-40 x 1/8 | 37 | 1643 | 2 | Screw - Cyl.Shield to Tank | 57 | 10043 | 1 | Push Rod - and Bumper |
| 18 | 19023 | 1 | * Gasket - Carburetor to Adapter | 38 | 15037 | 1 | Screw - Tank & Handle to C/Case | 58 | 2608 | 1 | Decal - Instruction |
| | | | | | | | | 59 | 23179 | 2 | Plugs |
| | | | | | | | | 60 | 23174 | 1 | Plug Tank & Handle Assy. |

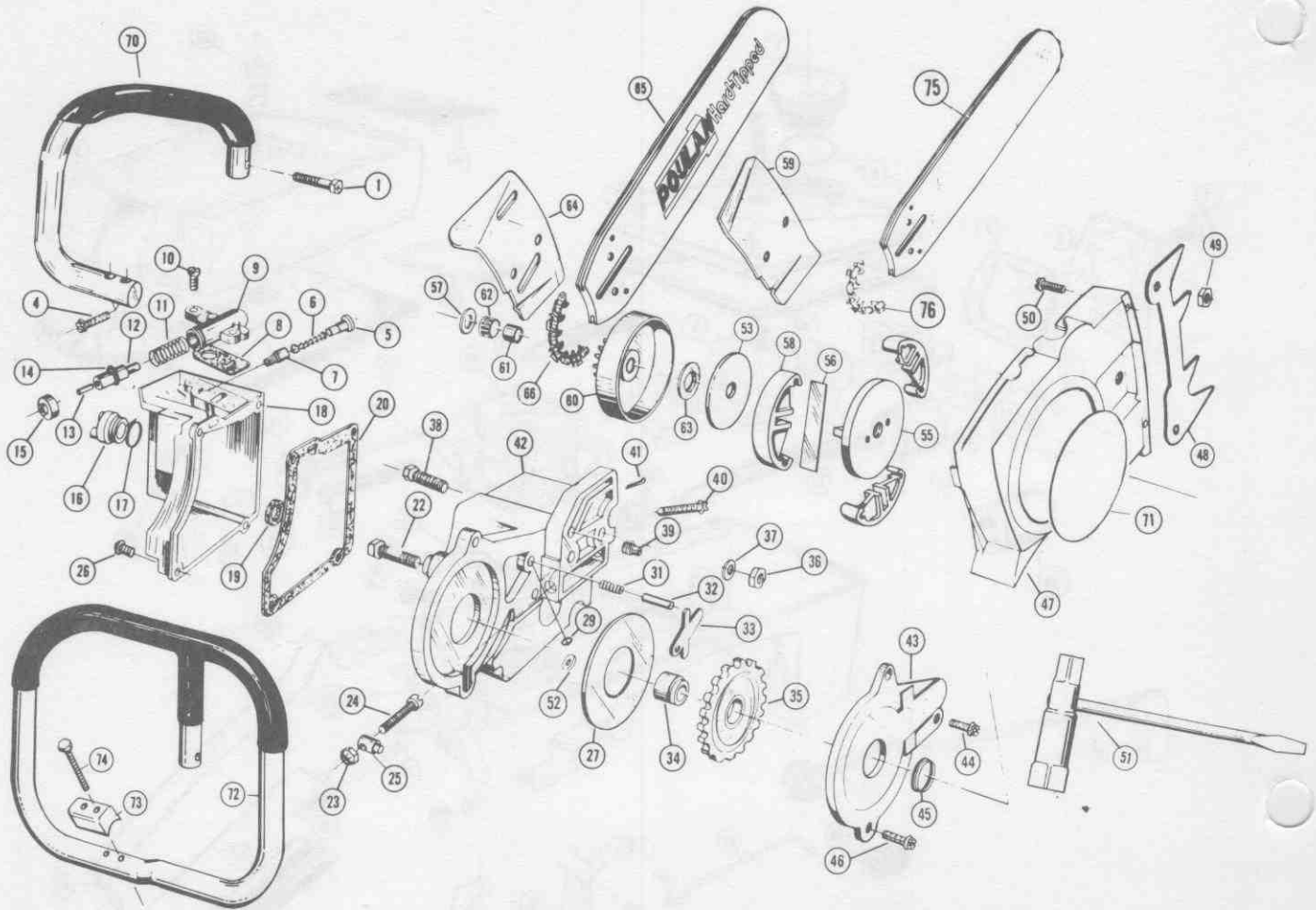
(*) Indicates Contents of Gasket Kit

POULAN CHAIN SAWS – PARTS LIST

Model 245A

10/78

Fig. 4



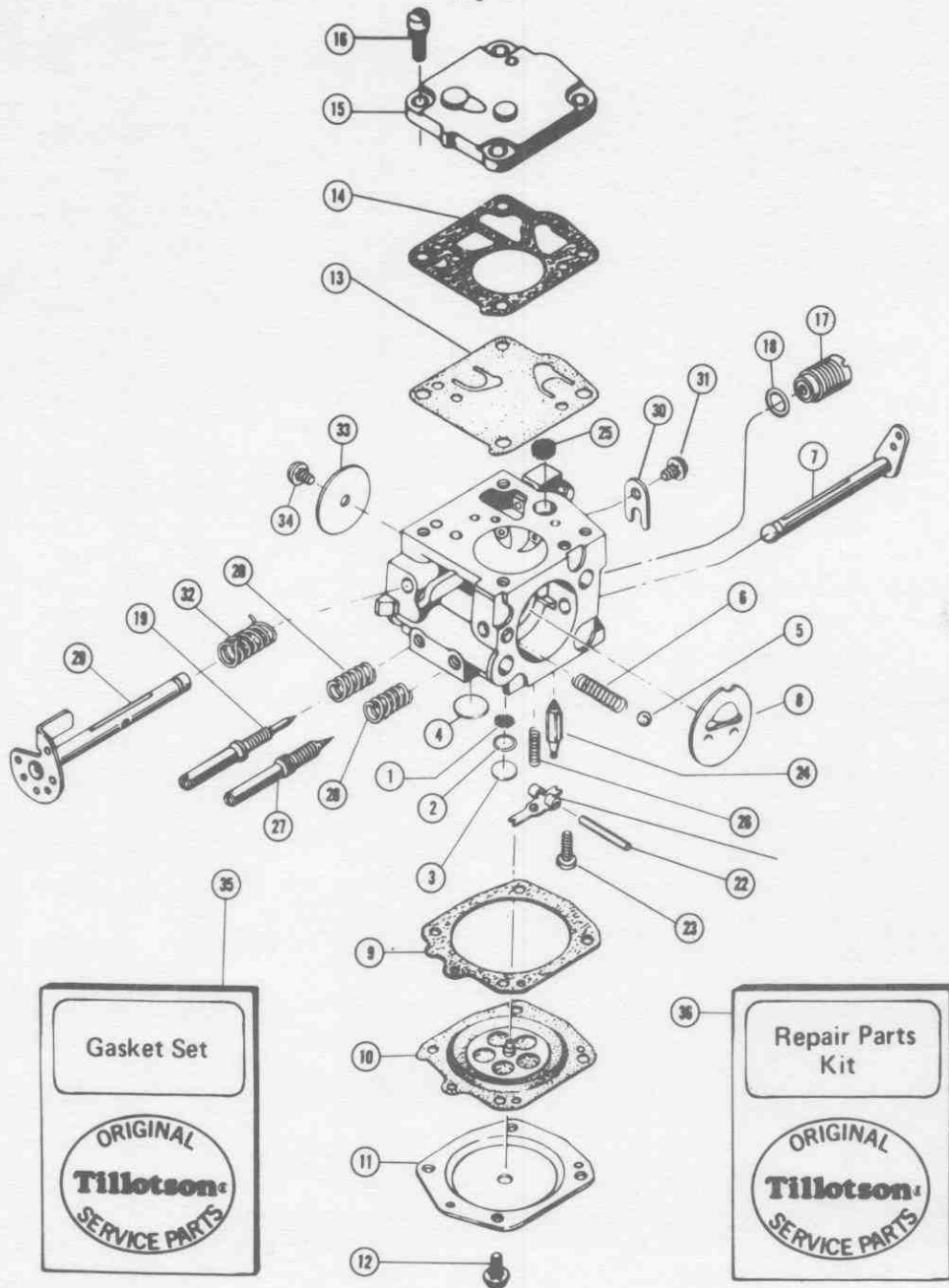
| Ref. No. | Part No. | Qty. Req. | Description | Ref. No. | Part No. | Qty. Req. | Description | Ref. No. | Part No. | Qty. Req. | Description |
|----------|----------|-----------|--------------------------|----------|----------|-----------|---|----------|----------|--------------------------------|--------------------------------|
| 1 | 1648 | 1 | Screw - Handlebar Mount | 35 | 23079 | 1 | Gear - Automatic Oiler | 63 | 15047 | 1 | Thrust Washer - Black |
| 4 | 15062 | 2 | Screw - Handlebar Mount | 36 | 1721 | 2 | Nut - Guide Mount | 64 | 2602 | 1 | Plate - Inner Guide Bar |
| 5 | 23148 | 1 | Valve - Intake | 37 | 1717 | 2 | Washer - Guide Mount | 65 | 4480 | 1 | 17" Bar - Hard Tipped |
| 6 | 2590 | 1 | Hose - Valve Intake | 38 | 1684 | 2 | Bolt - Guide Mount | 4483 | 1 | 21" Bar - Hard Tipped | |
| 7 | 2589 | 1 | Oil Pick-Up Weight | 39 | 23077 | 1 | Check Valve - Exhaust | 66 | 51146 | 1 | Chain P760-61 for 17" H.T. bar |
| 8 | 19011 | 1 | *Gasket - Pump Housing | 40 | 15041 | 1 | Screw - Cover to Oil Tank | 51151 | 1 | Chain P760-72 for 21" H.T. bar | |
| 9 | 11022 | 1 | Pump | 41 | 15108 | 1 | Cotter Pin - Vent | 69 | 15061 | 1 | Washer - Auto. Oiler |
| 10 | 15114 | 2 | Screw - Pump Mount | 42 | 10031 | 1 | Oil Tank Assembly - Includes: Guide Bar Bolts | 70 | 10051 | 1 | Handlebar (Model 245A) |
| 11 | 1699 | 1 | Spring - Oil Pump | 43 | 11028 | 1 | Cover - Automatic Oiler | 71 | 23317 | 1 | Decal (Model 245A) |
| 12 | 23069 | 1 | Plunger - Oil Pump | 44 | 15036 | 1 | Screw - Automatic Oiler | 72 | 22106 | 1 | Full Wrap Handlebar (Optional) |
| 13 | 23071 | 1 | Rod - Plunger | 45 | 19035 | 1 | Seal - Automatic Oiler | 73 | 11234 | 1 | Spacer (Optional) |
| 14 | 19029 | 1 | Quad Ring - Plunger | 46 | 625509 | 2 | Screw - Automatic Oiler | 74 | 15002 | 2 | Screw - Handlebar (Optional) |
| 15 | 23073 | 1 | Cap - Oil Pump | 47 | 11107 | 1 | Bar Clamp | 75 | 44094 | 1 | 16" S.N. Bar (opt.) |
| 16 | 2592 | 1 | Plug - Oil Tank | 48 | 2378 | 1 | Spur - Optional | 76 | 51155 | 1 | Chain P760-60 for 16" S.N. bar |
| 17 | 1949 | 1 | O'Ring - Oil Tank | 49 | 1725 | 2 | Nut - Spur Mount | | | | |
| 18 | 11021 | 1 | Cover - Oil Tank | 50 | 15045 | 2 | Screw - Spur Mount | | | | |
| 19 | 19021 | 1 | *Gasket - Oil Tank Boss | 51 | 31062 | 1 | Optional | | | | |
| 20 | 19009 | 1 | *Gasket - Oil Tank | 52 | 15061 | 1 | Scrench | | | | |
| 22 | 625506 | 1 | Screw | 53 | 23472 | 1 | Washer, Auto Oiler | | | | |
| 23 | 15064 | 1 | Nut - Pin Bar Adjustment | 55 | 22089 | 1 | Washer - Clutch | | | | |
| 24 | 15024 | 1 | Screw - Bar Adjustment | 56 | 23473 | 3 | Spider - Clutch | | | | |
| 25 | 23064 | 1 | Pin - Bar Adjustment | 57 | 15056 | 1 | Spring - Clutch | | | | |
| 26 | 15036 | 3 | Screw - Oil Tank - Short | 58 | 23469 | 3 | Thrust Washer - Silver | | | | |
| 27 | 23008 | 1 | Disc - Automatic Oiler | 59 | 2603 | 1 | Shoe - Clutch | | | | |
| 29 | 19025 | 1 | Quad Ring - Auto. Oiler | 60 | 10007 | 1 | Plate - Outer Guide Bar | | | | |
| 31 | 23181 | 1 | Spring - Automatic Oiler | 61 | 32003 | 1 | Drum - Clutch | | | | |
| 32 | 23007 | 1 | Piston - Automatic Oiler | 62 | 32002 | 1 | Race - Clutch Drum | | | | |
| 33 | 10019 | 1 | Lever Rivet Assembly | | | | Bearing - Clutch | | | | |
| 34 | 23078 | 1 | Cam - Automatic Oiling | | | | | | | | |

(*)Indicates Contents of Gasket Kit

CARBURETOR PARTS LIST

10/78

Fig. 5



| Ref. No. | Part No. | Qty. Req. | Description | Ref. No. | Part No. | Qty. Req. | Description |
|----------|----------|-----------|---|----------|----------|-----------|--------------------------------------|
| 1 | 3761 | 1 | Body Channel Screen | 19 | 3775 | 1 | *Idle Mixture Screw |
| 2 | 3762 | 1 | Body Channel Screen Ret. Ring | 20 | 3429 | 1 | *Idle Mixture Screw Spring |
| 3 | 3763 | 1 | *Body Channel Welch Plug (Small) | 21 | 3776 | 1 | *Inlet Control Lever |
| 4 | 3764 | 1 | *Body Channel Welch Plug (Large) | 22 | 3777 | 1 | *Inlet Pinion Pin |
| 5 | 3765 | 1 | Choke Friction Ball | 23 | 34019 | 1 | *Inlet Pinion Pin Ret. Screw |
| 6 | 3424 | 1 | Choke Friction Spring | 24 | 3779 | 1 | *Inlet Needle |
| 7 | 3766 | 1 | Choke Shaft & Lever | 25 | 3780 | 1 | *Inlet Screen |
| 8 | 3767 | 1 | Choke Shutter | 26 | 3727 | 1 | *Inlet Tension Spring |
| 9 | 3768 | 1 | Diaphragm Gasket | 27 | 3781 | 1 | *High Speed Mixture Screw |
| 10 | 3769 | 1 | *Diaphragm | 28 | 3429 | 1 | *High Speed Mixture Screw Spring |
| 11 | 3770 | 1 | Diaphragm Cover | 29 | 34021 | 1 | Throttle Shaft & Lever |
| 12 | 3717 | 4 | Diaphragm Cover Screw & Lockwasher | 30 | 3783 | 1 | Throttle Shaft Clip |
| 13 | 3771 | 1 | *Fuel Pump Diaphragm | 31 | 3784 | 1 | Throttle Shaft Clip Ret. Screw |
| 14 | 3772 | 1 | Fuel Pump Gasket | 32 | 3785 | 1 | *Throttle Shaft Return Spring |
| 15 | 3773 | 1 | Fuel Pump Cover | 33 | 3786 | 1 | Throttle Shutter |
| 16 | 3774 | 4 | Fuel Pump Cover Ret. Screw & Lockwasher | 34 | 3784 | 1 | *Throttle Shutter Screw & Lockwasher |
| 17 | 34095 | 1 | Governor Valve Assembly | 35 | 34022 | 1 | *Gasket Set |
| 18 | 34024 | 1 | Governor Valve Assembly Gasket | 36 | 34023 | 1 | Repair Parts Kit |

(*) Indicates contents of Repair Parts Kit.