

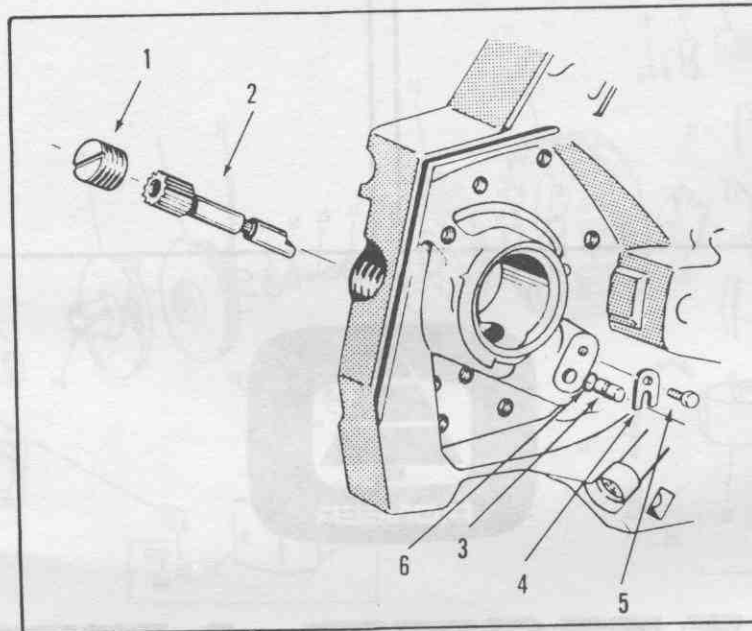


ILLUSTRATED PARTS CATALOGUE

model
super 3270



model super 3270



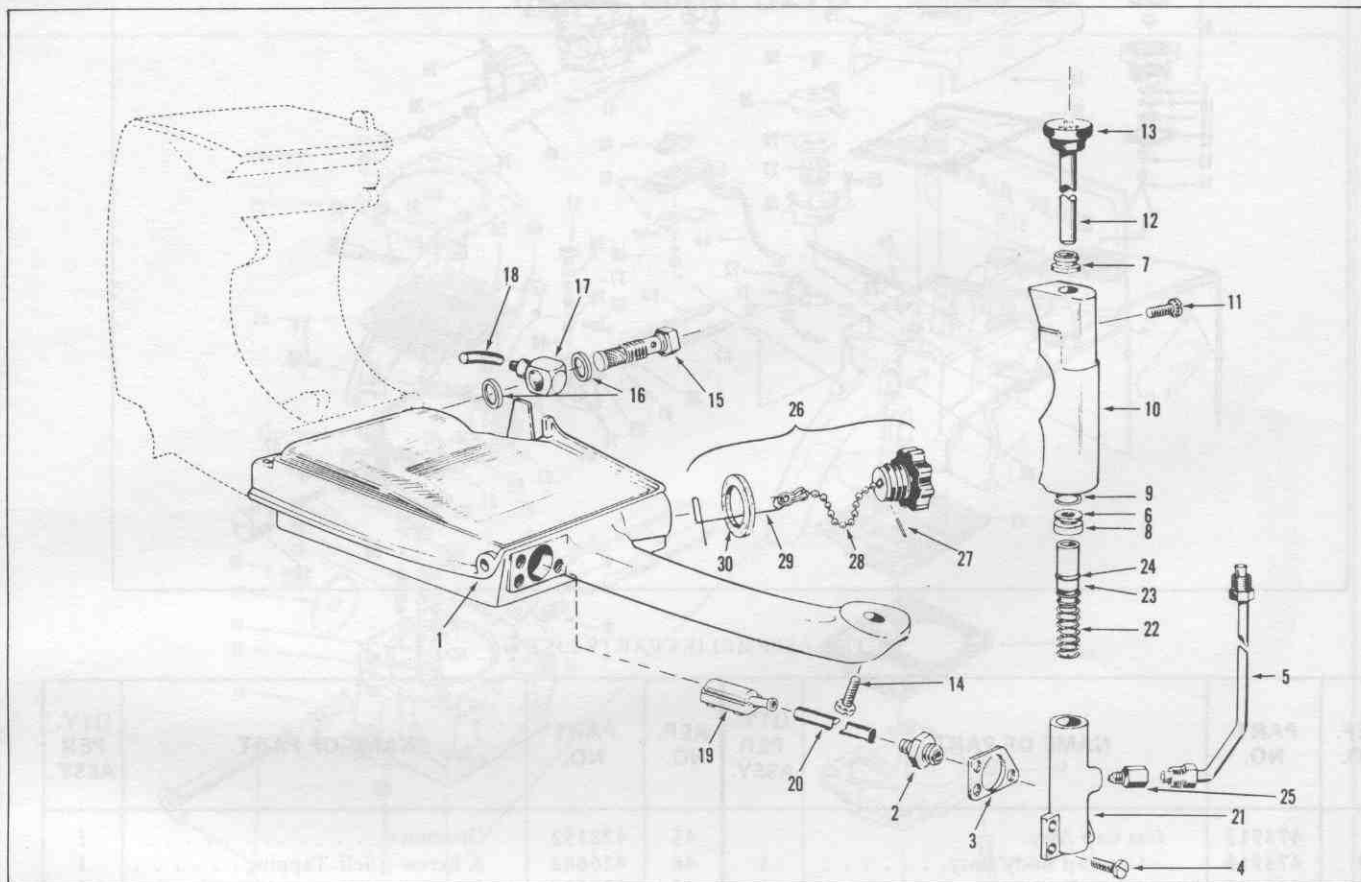
AUTOMATIC OIL PUMP

REF. NO.	PART NO.	NAME OF PART	QTY. PER ASSY.
*	474239	Automatic Oil Pump Kit Assy.	1
1	428261	· Plug	1
2	473339	· Plunger	1
3	428405	· Pin	1
4	428406	· Retaining Clip	1
5	307191	· Screw	1
6	308528	· "O" Ring	1

*Not Shown

INDENTED PART NAMES INDICATE THAT THESE PARTS ARE INCLUDED IN PRECEDING ASSEMBLY
SPECIFY MODEL AND SERIAL NUMBER OF MOTOR WHEN ORDERING PARTS

model super 3270



PICK-UP ASSEMBLIES PARTS LIST

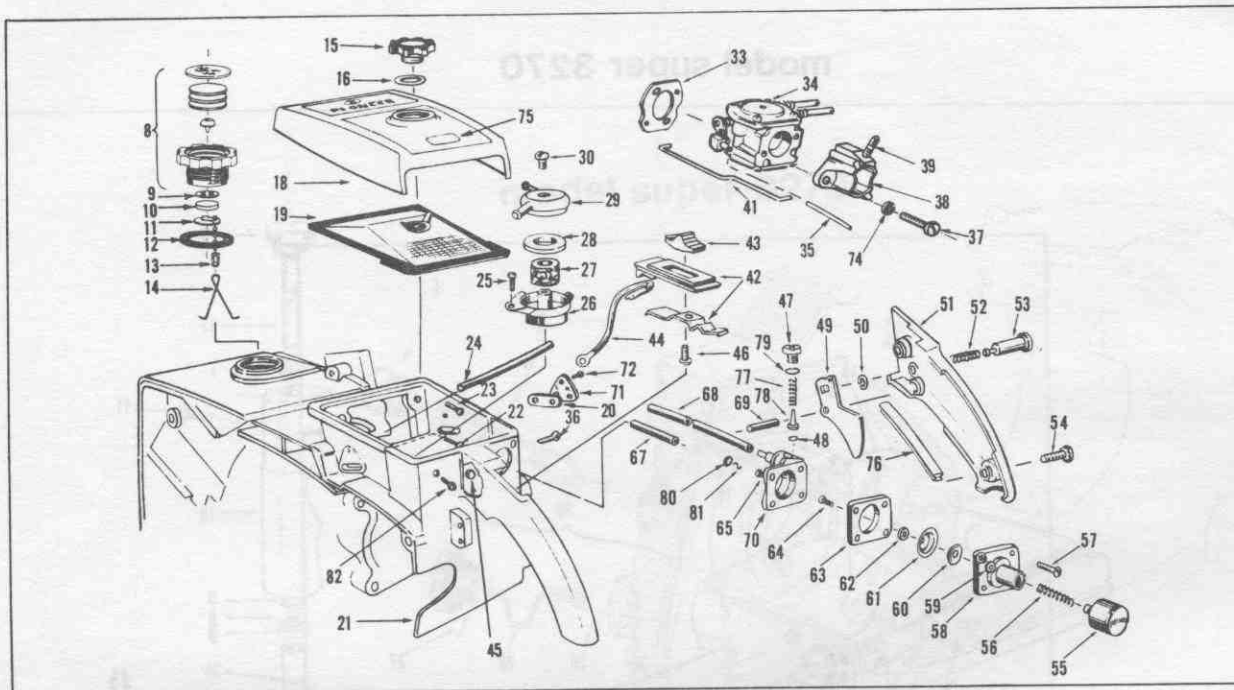
REF. NO.	PART NO.	NAME OF PART	QTY. PER ASSY.	REF. NO.	PART NO.	NAME OF PART	QTY. PER ASSY.
1	471650	Oil Tank Assy.	1	16	307554	Gasket	2
2	471477	Inlet Valve Assy.	1	17	429134	Banjo Fitting	1
3	427861	Gasket	1	18	427717	Hose	1
4	307613	Screw, Oil Pump to Tank	3	*	473343	Oil Pump Assy. Comp.	1
5	471654	Oil Line	1	19	471709	. Oiler Pick Up Assy.	1
6	428647	Washer	1	20	428337	. Hose, Oil Pick Up	1
7	427874	Bushing, Pump Cover	1	21	427876	. Oil Pump Assy.	1
8	427367	Washer	1	22	427925	. Spring, Oil Pump	1
9	202755	Clip, Plunger Rod	1	23	427098	. Plunger, Oil Pump	1
10	427873	Oil Pump Cover Assy.	1	24	428906	. "O" Ring, Oil Pump	1
11	307193	Screw	2	25	471478	. Outlet Valve Assy.	1
12	429417	Push Rod	1	26	471511	Oil Filler Cap Assy.	1
13	427704	Button, Push Rod	1	27	427289	. Pin	1
14	307175	Screw	1	28	427690	. Bead Chain	1
15	471606	Oil Pick Up Head Assy.	1	29	427976	. Retaining Hook	1
				30	427689	. Gasket	1

* Not Shown

INDENTED PART NAMES INDICATE THAT THESE PARTS ARE INCLUDED IN PRECEDING ASSEMBLY

ORDER ALL PARTS FROM YOUR LOCAL AUTHORIZED DEALER

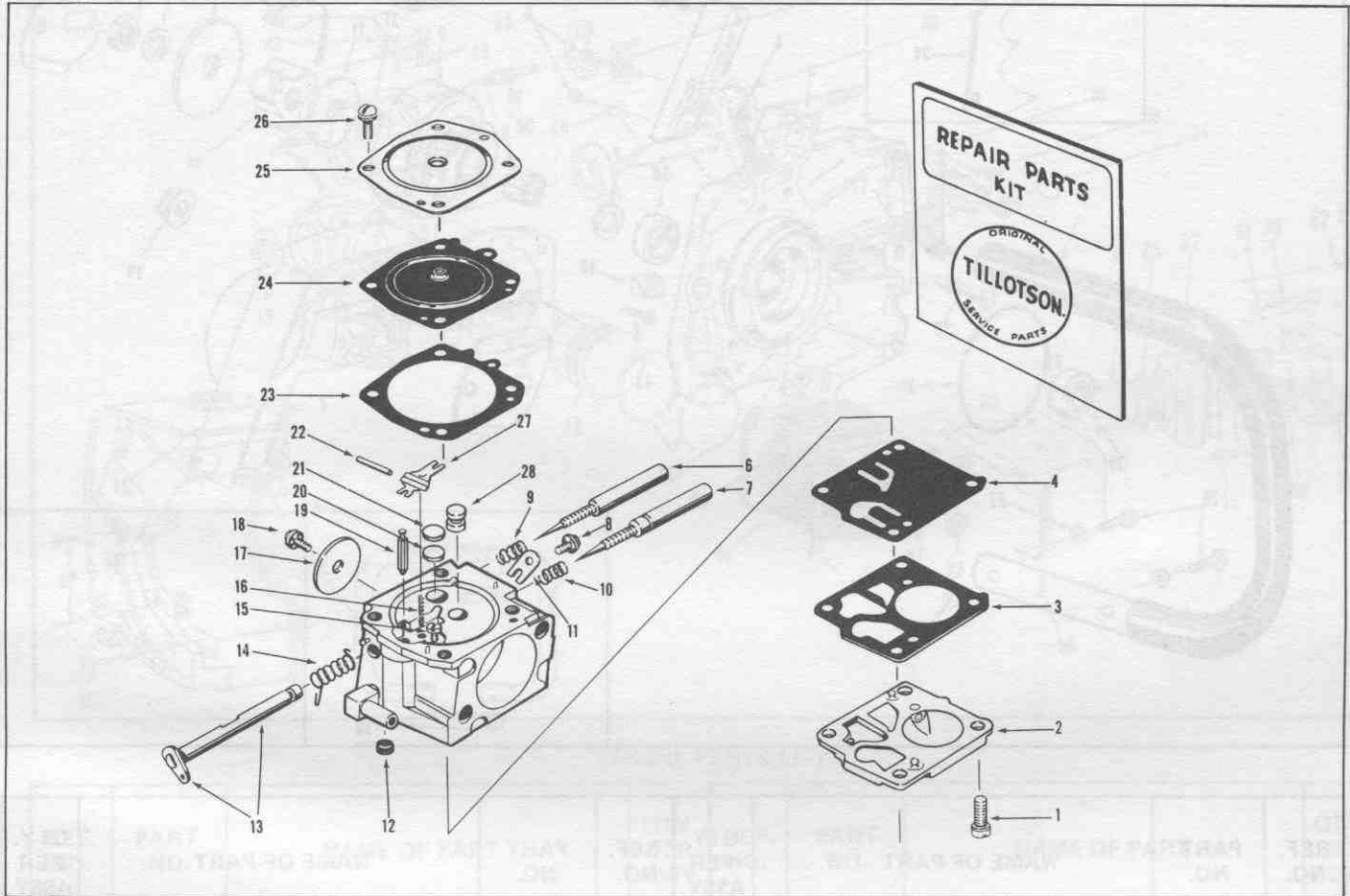
model super 3270



OUTER ASSEMBLIES PARTS LIST

REF. NO.	PART NO.	NAME OF PART	QTY. PER ASSY.	REF. NO.	PART NO.	NAME OF PART	QTY. PER ASSY.
	473913	Gas Cap Assy.		45	428352	Grommet	1
8	473914	Gas Cap Body Assy.	1	46	426662	& Screw - Self Tapping	1
9	428600	Filter Cover	1	47	429128	End Cap	1
10	427994	Filter Disc	1	48	308528	"O" Ring - Exit Valve	2
11	427278	Cover	1	49	427696	Throttle Trigger	1
12	425087	Gasket	1	50	309623	Retainer Clip	1
13	427277	Bead Chain	1	51	429183	Rear Handle Cover	1
14	427213	Lock Spring	1	52	428171	Spring - Throttle Lock	1
15	471357	Knob Assy.	1	53	427815	Pin - Throttle Lock	1
16	304614	Retaining Ring	1	54	307613	Screw - Cover to rear handle	2
18	429185	Air Filter Cover	1	55	427712	Button	1
19	428728	Air Filter Element	1	56	427800	Spring - Primer Button	1
20	428204	Grommet	1	57	311835	Screw - Primer to rear handle	2
21	429184	Rear Handle (& Air Box)	1	58	427860	Cover - Primer Pump	1
22	307175	Screw (Rear Handle to C'case)	1	59	302437	Nut - Primer Body to Cover	2
23	510195	Screw (Rear Handle to C'case)	3	60	426818	Cup	1
24	427862	Fuel Hose (Tank to Filter)	1	61	426815	Diaphragm	1
25	305230	Screw (Bowl to Air Box)	1	62	426926	Cup Washer	1
26	471917	Fuel Filter Bowl Assy.	1	63	427715	Gasket	1
27	428010	Felt	1	64	426821	Screw	1
28	427369	Gasket	1	65	312475	Screw Body to Cover	2
29	472364	Cover	1	67	429451	Fuel Hose - Primer intake	1
30	307506	Screw	1	68	428013	Fuel Hose - Primer to C'case	1
33	427888	Gasket - Reed to Carb.	1	69	429996	Roll Pin - Rear Handle	1
34	473452	Carburetor	1	70	472310	Primer Body & Fitting Assy.	1
35	428350	Fuel Hose (Filter to Carb.)	1	71	428344	Grommet Retainer	1
36	306370	Cotter Pin	1	72	312811	Screw Carb. Grommet	1
37	427785	Screw (Carb. to Reed Body)	2	74	120052	Washer	2
38	471571	Blowback Tube Assy.	1	75	430149	Decal	1
39	428081	Stud	1	76	429161	Cushion	1
				77	426837	Spring	1
41	428351	Throttle Link	1	78	426835	Stem	1
42	471699	Switch Assy.	1	79	429453	Washer	1
43	427128	Button, Switch	1	80	426825	Disc, Valve - Inlet	1
44	471422	Switch Wire	1	81	426824	Clip	1
				82	428929	Idle Adjustment Screw	1

model super 3270



CARBURETOR PARTS LIST

REF. NO.	PART NO.	NAME OF PART	QTY. PER ASSY.	REF. NO.	PART NO.	NAME OF PART	QTY. PER ASSY.
	473452	Carburetor Complete	1	14	*428417	. Throttle Shaft & Return Spring . . .	1
1	427955	. Screw & Lockwasher	4	15	*427962	. Inlet Pinion Pin Ret. Screw	1
2	427939	. Cover - Pump	1	16	*426922	. Inlet Tension Spring	1
3	*427940	. Gasket	1	17	425966	. Throttle Shutter	1
4	*427941	. Diaphragm	1	18	*427947	. Screw & Lockwasher	1
				19	*427952	. Inlet Needle	1
6	*428419	. Idle Adj. Screw	1	20	*428149	. Reducer	1
7	*428414	. Main Adj. Screw	1	21	*427948	. Welch Plug	1
8	*427947	. Screw & Lockwasher	1	22	*427954	. Inlet Pinion Pin	1
9	*425449	. Idle Adj. Spring	1	23	*427950	. Gasket	1
10	*425449	. Main Adj. Spring	1	24	*471374	. Diaphragm Assy.	1
11	427957	. Throttle Shaft Clip	1	25	427956	. Cover - Diaphragm	1
12	*427951	. Inlet Screen	1	26	426145	. Screw & Lockwasher	4
13	471739	. Throttle Shaft & Lever	1	27	*427953	. Inlet Control Lever	1
				28	473451	. Check Valve Assy.	1

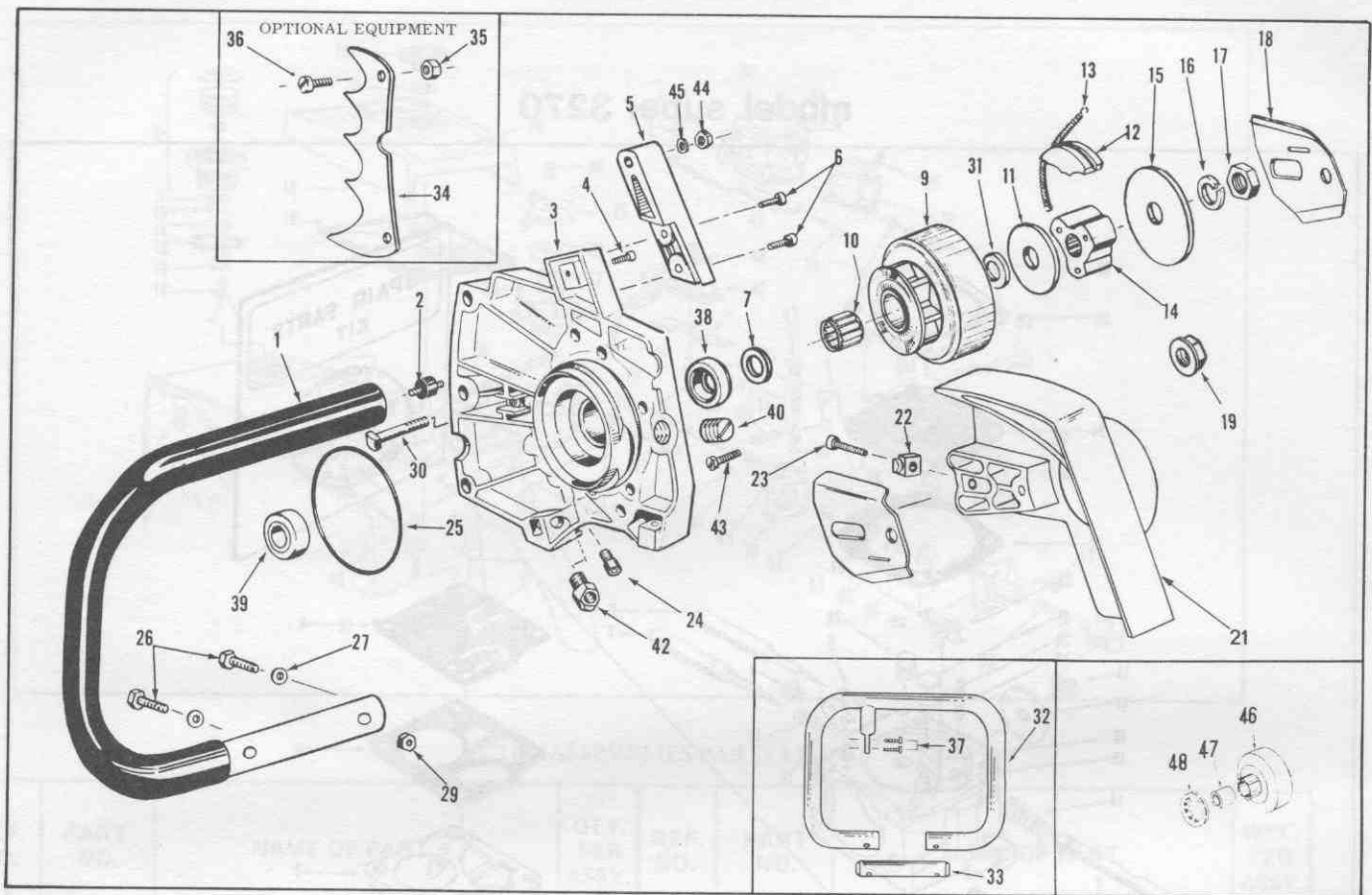
NOTE: Parts marked with an asterisk (*) are included in Carburetor Repair Kit Part No. 474115

NOTE: 474112 Carburetor Gasket Set.

INDENTED PART NAMES INDICATE THAT THESE PARTS ARE INCLUDED IN PRECEDING ASSEMBLY

ORDER ALL PARTS FROM YOUR LOCAL AUTHORIZED DEALER

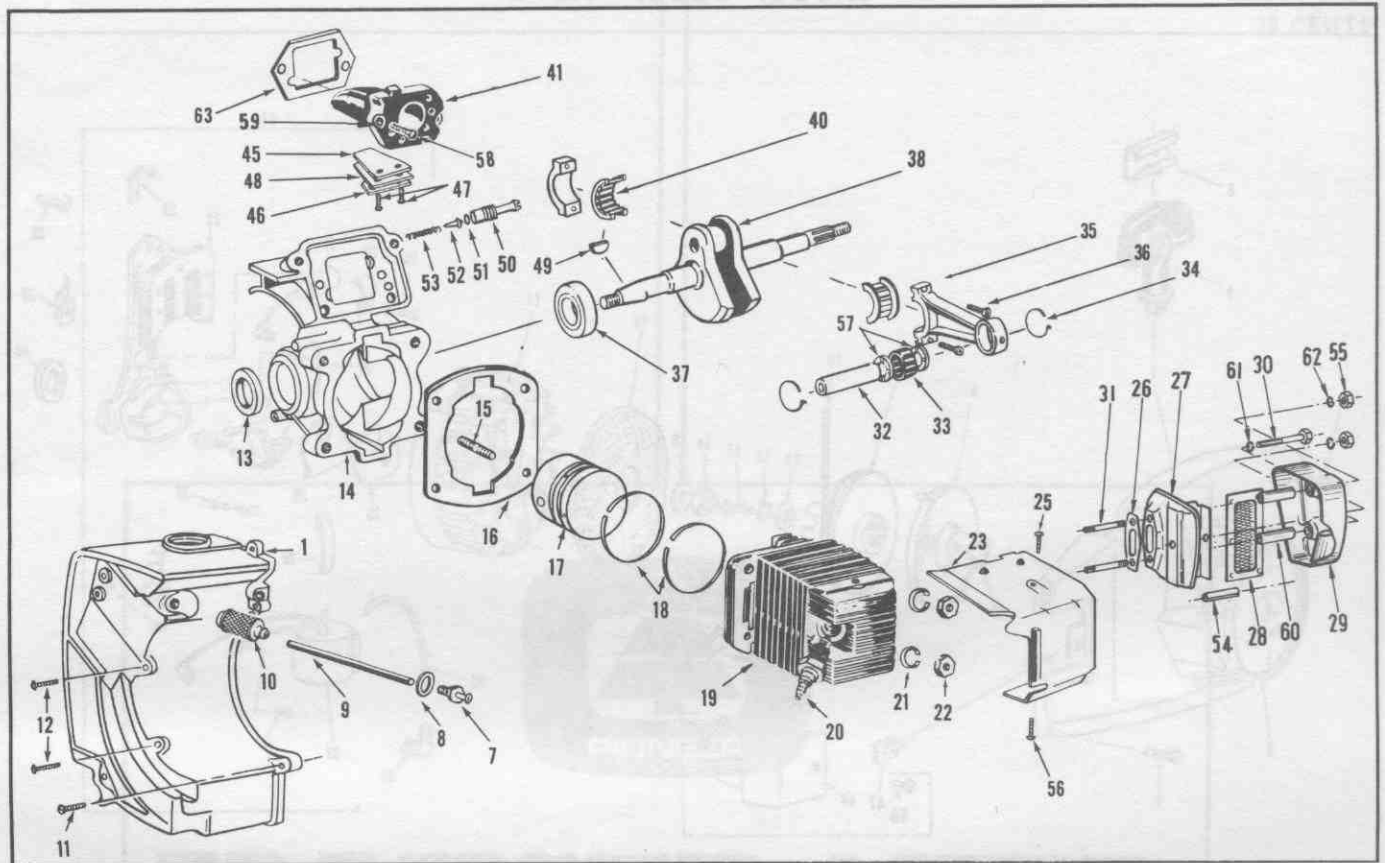
model super 3270



REF. NO.	PART NO.	NAME OF PART	QTY. PER ASSY.	REF. NO.	PART NO.	NAME OF PART	QTY. PER ASSY.
1	473369	Front Handle Assy.	1	25	427889	"O" Ring	1
2	377582	Rubber Mount	1	26	303459	Bolt - Front Handle	2
3	473242	Bearing Carrier Assy.	1	27	306396	Washer - Front Handle	2
4	307175	Screw - Brg. Carrier to C'case . . .	3	29	427170	Nut - Front Handle	1
5	429360	Front Handle Bracket	1	30	427659	Cutter Bar Bolt	2
6	510195	Screw - Handle bracket to bar pad	2	31	428164	Thrust Washer - Clutch	1
7	425015	Washer - Clutch Drum Inner . . .	1	32	471973	Full Wrap Handle Assy.	1
9	473547	Clutch Drum Assy.(Can. & U.S.A.)	1	33	428027	Plug Handle (Full Wrap)	1
10	429557	. Bearing	1	34	471842	Pivot Grip	1
11	427915	Clutch Plate	1	35	800053	. Nut	2
12	427187	Clutch Shoe	3	36	314215	. Screw	2
13	426964	Clutch Spring	1	37	305230	Screw (Full Wrap only)	2
14	471576	Clutch Driver	1	38	428746	Seal - Bearing Carrier	1
15	427916	Clutch Cover	1	39	425066	Bearing Main - Brg. Carrier	1
16	120177	Washer	1	40	307463	Plug	1
17	427181	Nut (R.H. Clutch)	1	42	428258	Oil Fitting	2
18	429400	Guide Plate	2	43	312472	Screw - Brg. Carrier to C'case . . .	3
19	429661	Nut - Strut	2	44	302103	Nut - Bracket	1
21	471791	Strut Assy.	1	45	306799	Washer	1
22	425672	. Pin - Chain Adjustment	1	46	471401	Clutch Drum Assy.	1
23	202190	. Screw - Chain Adjustment	1	47	425091	. Bearing	1
24	428497	Fuel Pick-Up Connector	1	48	471815	Sprocket Segment (Canada & U.S.A.)	1
				48	429957	Sprocket Segment (Australia)	1

4
 INDENTED PART NAMES INDICATE THAT THESE PARTS ARE INCLUDED IN PRECEDING ASSEMBLY
SPECIFY MODEL AND SERIAL NUMBER OF MOTOR WHEN ORDERING PARTS

model super 3270

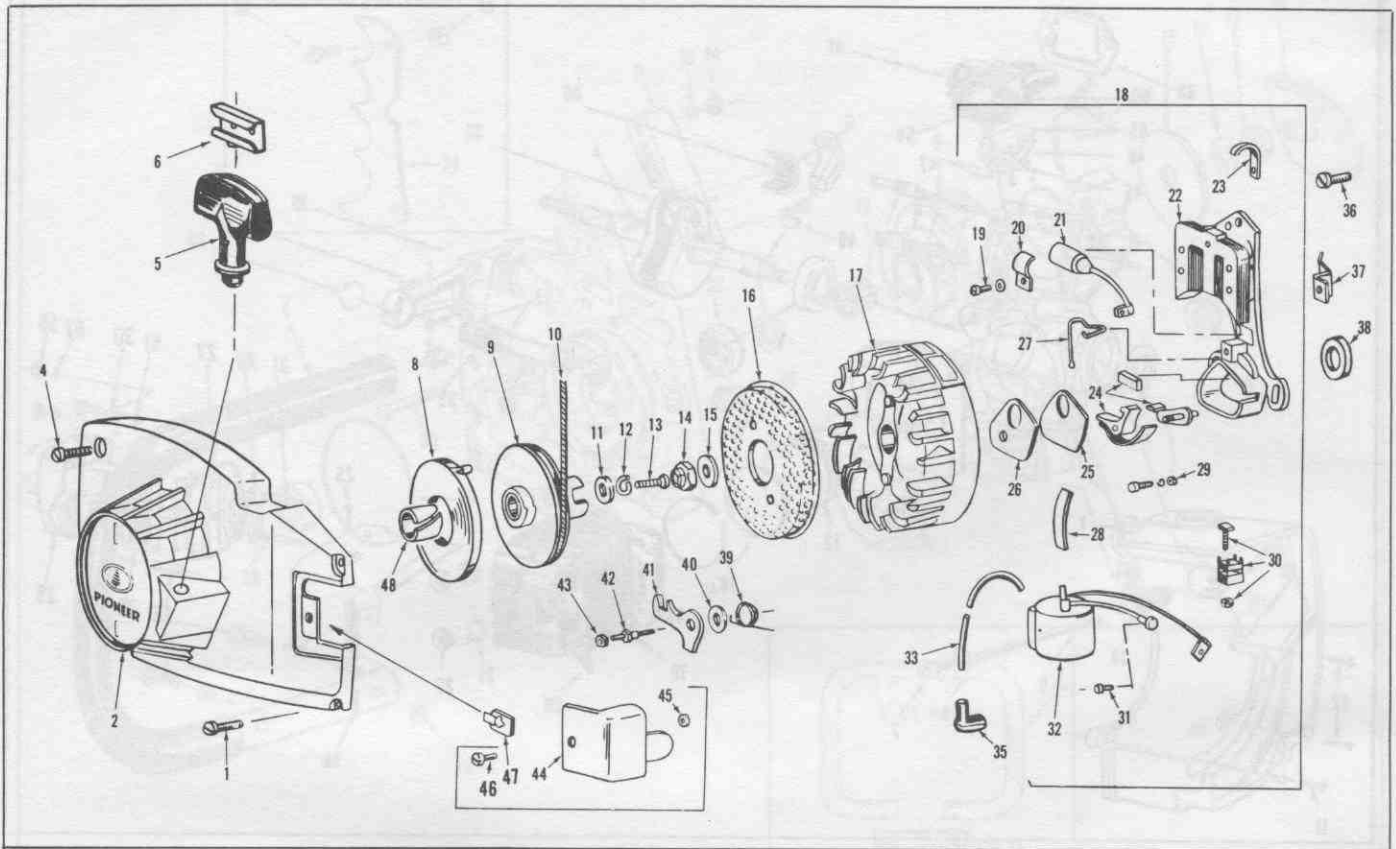


ENGINE PARTS LIST

REF. NO.	PART NO.	NAME OF PART	QTY. PER ASSY.	REF. NO.	PART NO.	NAME OF PART	QTY. PER ASSY.
1	473147	Fuel Tank Assy.	1	32	428367	Wrist Pin	1
7	427856	Connector	1	33	429526	Bearing - Wrist Pin	1
8	427855	Gasket	1	34	428781	Retainer Wrist Pin	2
9	427857	Hose (Fuel Pickup)	1	35	473689	Conn. Rod Assy.	1
10	470986	Pickup Head Assy.	1	36	428826	. Cap Screw	2
11	307175	Screw	6	37	427849	Main Bearing	1
		4 Fuel Tank to Brg. Carrier		38	429480	Crankshaft	1
		1 Oil Tank to Fuel Tank		40	472365	Brg. Cage Assy. c/w needles	1
		1 Oil Tank to Brg. Carrier		41	472240	Reed Valve Assy.	1
12	316004	Screw - Fuel Tank to C'case	2	45	428336	. Reed	1
13	427656	Seal - Crankshaft	1	46	428127	. Retainer (Reed Valve)	1
14	473181	Crankcase Assy.	1	47	428335	. Screw (Reed to Body)	2
15	426642	. Stud - C'case to Cylinder	4	48	428246	. Reed Stiffener	1
16	429429	Gasket	1	49	429481	Flywheel Key	1
17	471901	Piston & Dowel Pin Assy.	1	50	427981	Check Valve Body	1
18	471736	Piston Ring Set	1	51	308528	"O" Ring Check Valve Body	1
19	428368	Cylinder Assy.	1	52	426835	Stem Check Valve Body	1
20	428006	Spark Plug	1	53	426837	Spring Check Valve Body	1
21	306396	Lockwasher	4	54	430139	Spacer - Muffler	1
22	306397	Nut	4	55	306397	Nut - Muffler Cover	2
23	471961	Inner Shroud Assy.		56	551725	Screw - Inner Shroud	1
25	510278	Screw - Inner Shroud	1	57	429446	Thrust Washers	2
26	428189	Gasket	1	58	309483	Screw (Reed Valve to C'case)	1
27	473907	Muffler Body Assy.	1	59	306547	Washer - Reed to Body to C'case	2
28	473909	Spark Arrestor Assy.	1	60	430138	Spacer - Muffler	2
29	473908	Muffler Cover Assy.	1	61	120052	Lockwasher - Muffler Cover	1
30	311753	Screw - Muffler to Cylinder	1	62	306396	Lockwasher - Muffler Cover	2
31	430140	Stud - Muffler to Cylinder	2	63	427885	Gasket (Reed Valve to C'case)	1

INDENTED PART NAMES INDICATE THAT THESE PARTS ARE INCLUDED IN PRECEDING ASSEMBLY
SPECIFY MODEL AND SERIAL NUMBER OF MOTOR WHEN ORDERING PARTS

model super 3270



STARTER & MAGNETO PARTS LIST

REF. NO.	PART NO.	NAME OF PART	QTY. PER ASSY.	REF. NO.	PART NO.	NAME OF PART	QTY. PER ASSY.
1	309483	Screw - Blower Cover	3	25	429849	. Gasket - Breaker Box	1
2	473138	Blower Cover Assy.	1	26	429524	. Cover - Breaker Box	1
4	316781	Screw - Blower cover to fuel tank .	1	27	425698	. Spring - Breaker Box	1
5	427370	Starter Handle	1	28	427748	. Coil Wedge Spring	1
6	429540	Anchor - Rope to Handle	1	29	471366	. Fixed Contact Screw Assy.	1
8	427771	Starter Spring	1	30	471364	. Terminal Connection Unit	1
9	471371	Starter Pulley Assy.	1	31	427749	. Coil Ground Screw	1
10	426752	Starter Cord	1	32	471365	. Coil Assy.	1
11	428105	Washer	1	33	427926	High Tension Wire	1
12	306398	Washer	1	35	580339	Sparky Assembly	1
13	551725	Screw - Pulley to shaft	1	36	304605	Screw - Stator to Fuel Tank	3
14	427826	Locknut (L.H. Flywheel)	1	37	427867	Clip - High Tension Lead	2
15	427743	Washer	1	38	427917	Magneto Felt	1
16	428092	Rotating Screen	1	39	427764	Spring - Starter Pawl	2
17	473399	Flywheel Assy.	1	40	202150	Washer - Pivot to flywheel	2
18	471590	Stator Assy.	1	41	427765	Starter Pawl	2
19	425948	. Clamp Screw Assy.	1	42	427763	Pivot	2
20	427754	. Condensor Clamp	1	43	427914	Nut - Screen to pivot	2
21	471354	. Condensor Assy.	1	44	472228	Inspect Cover Assy.	1
22	427752	. Stator Plate & Core	1	45	427968	. Washer - inspect. cover	1
23	428106	. Clip	1	46	308762	. Screw	1
24	471500	. Breaker Point Set with Felt	1	47	428445	Speed Nut	1
				48	428444	Bearing Liner - Nylon	1

INDENTED PART NAMES INDICATE THAT THESE PARTS ARE INCLUDED IN PRECEDING ASSEMBLY
SPECIFY MODEL AND SERIAL NUMBER OF MOTOR WHEN ORDERING PARTS