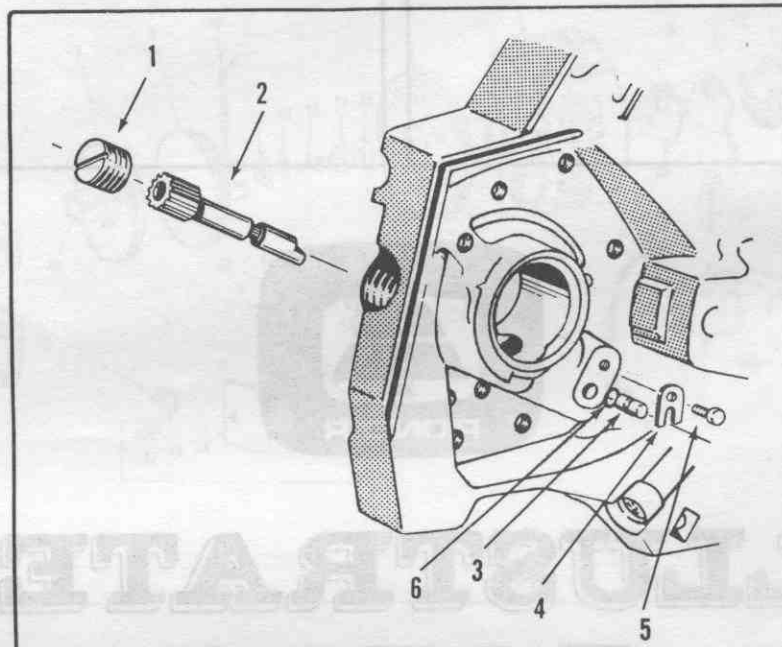


ILLUSTRATED PARTS CATALOGUE

models
3200, 3270

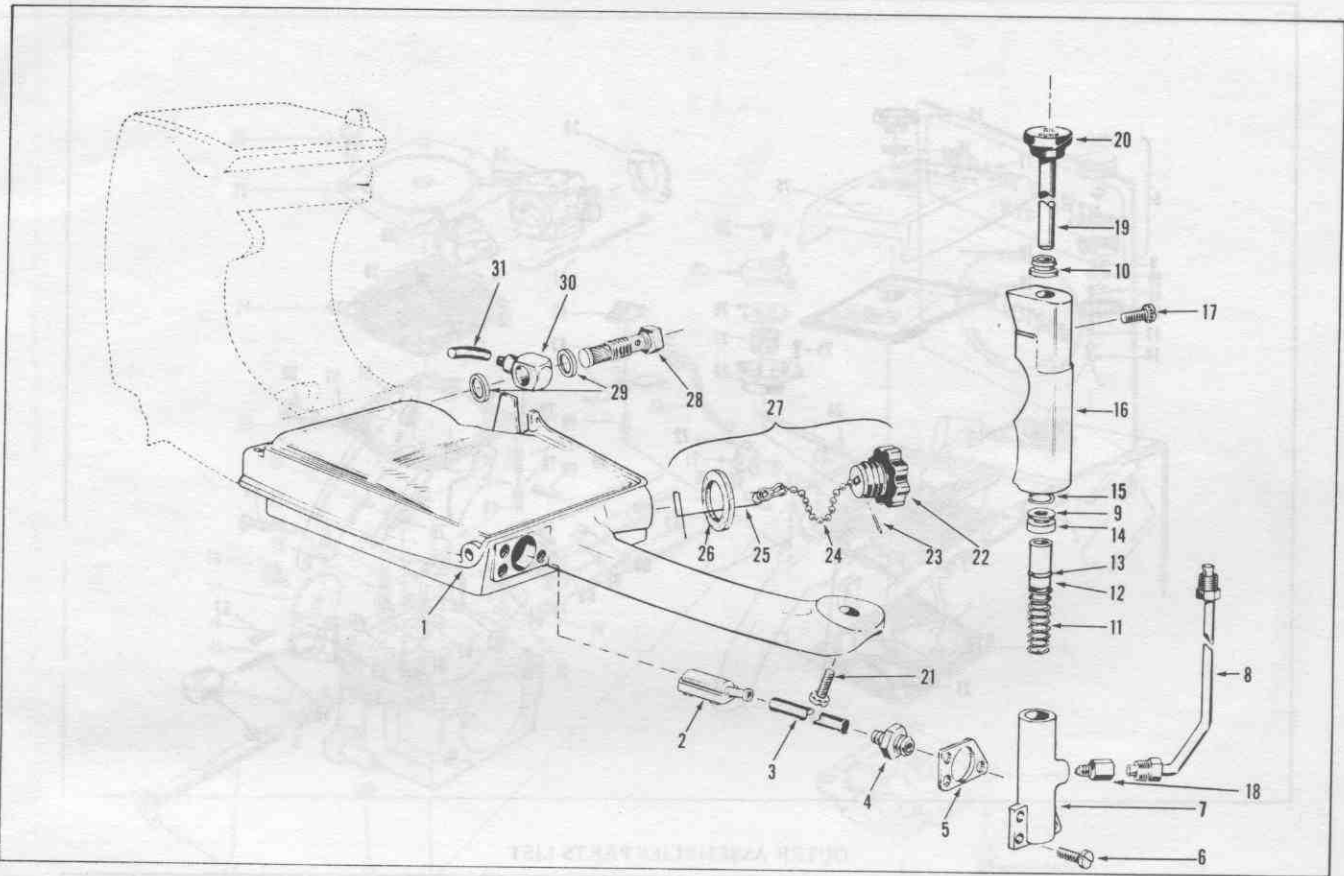


MODEL 3270 AUTOMATIC OIL PUMP



Item No.	Ref. No.	Description	Qty. Req'd.
1	428261	Plug	1
2	473339	Plunger	1
3	428405	Pin	1
4	428406	Retaining Clip	1
5	307191	Screw	1
6	308528	"O" Ring	1

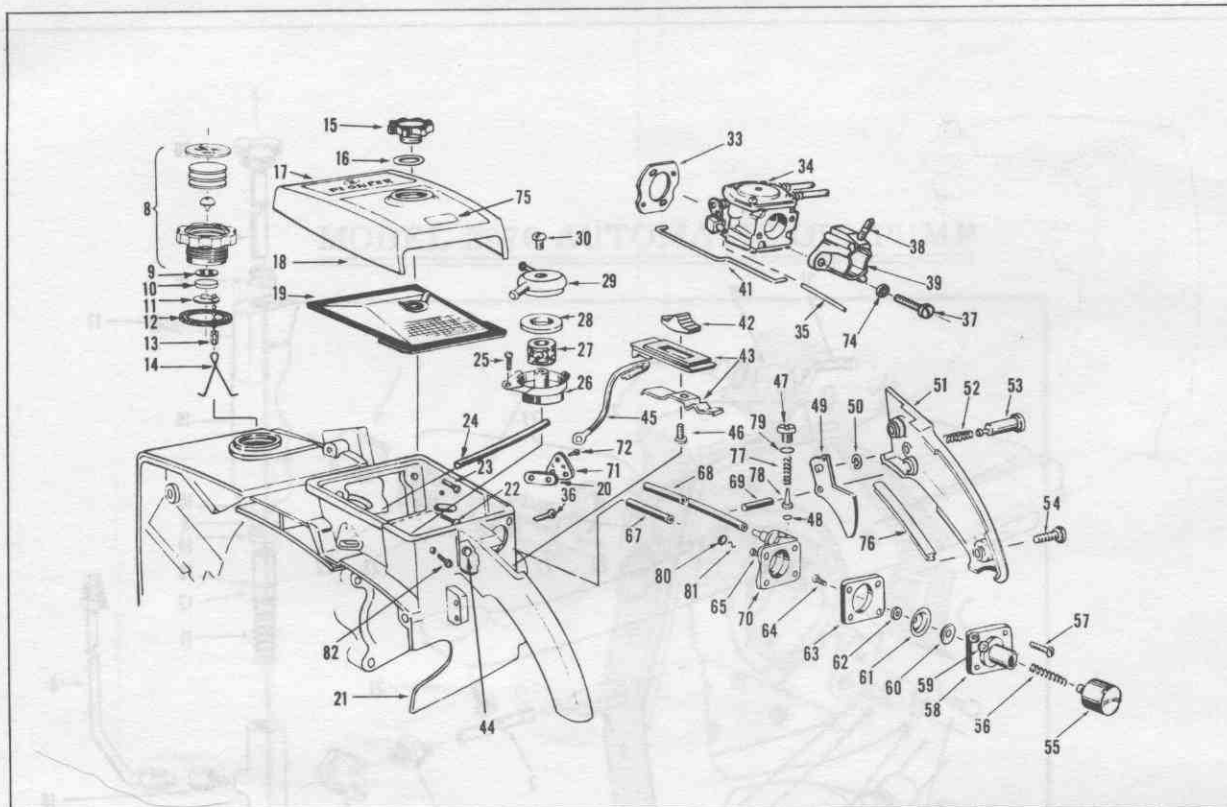
models 3200/3270



PICK-UP ASSEMBLIES PARTS LIST

REF. NO.	PART NO.	NAME OF PART	QTY. PER ASSY.	REF. NO.	PART NO.	NAME OF PART	QTY. PER ASSY.
1	471649	Oil Tank Assy. (3200)	1		473343	Oil Pump Assy. Complete	
	471650	Oil Tank Assy. (3270)	1			(Includes Parts Marked *)	
2	471709	* Oiler Pick-Up Assembly	1	16	427873	Oil Pump Cover Assy.	1
3	428337	* Hose - Oil Pick-Up	1	17	307193	Screw - Cover to Air Box	2
4	471477	Inlet Valve Assy.	1	18	471478	* Outlet Valve Assy.	1
5	427861	Gasket	1	19	429417	Push Rod	1
6	307613	Screw - Oil Pump to Tank	3	20	427704	Button - Push Rod	1
7	427876	* Oil Pump Body	1	21	307175	Screw - Oil Tank to R. Handle	1
8	471654	Oil Line - Man.Pump to Bar (3270)	1	22	471511	Oil Filler Cap Assy.	1
	471529	Oil Line - Man.Pump to Bar (3200)	1	23	427289	x Pin	1
9	428647	Washer	1	24	427690	x Bead Chain	1
10	427874	Bushing - Pump Cover	1	25	427976	x Retaining Hook	1
11	427925	* Spring - Oil Pump	1	26	427689	x Gasket	1
12	427098	* Plunger - Oil Pump	1	27	471511	Oil Filler Cap Assy.(incl.pts.mkd. x)	1
13	428906	* "O" Ring - Oil Pump	1	28	471606	Oil Pick-up Head Assy. (3270 only)	1
14	427367	Washer	1	29	307554	Gasket (3270) only	2
15	202755	Clip - Plunger Rod	1	30	429134	Banjo Fitting	1
	473343	Oil Pump Assy. Complete		31	427717	Hose	1

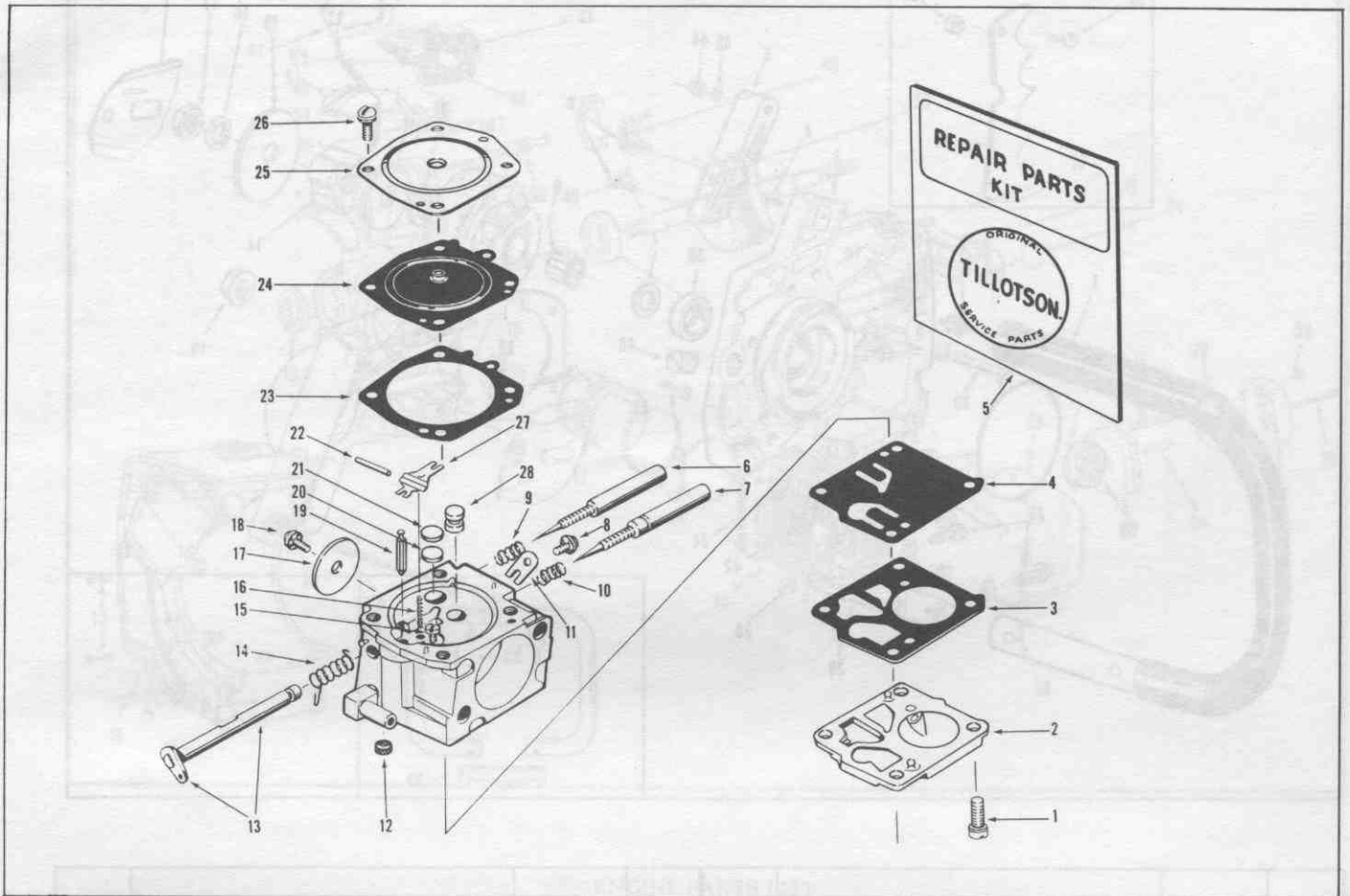
models 3200/3270



OUTER ASSEMBLIES PARTS LIST

REF. NO.	PART NO.	NAME OF PART	QTY. PER ASSY.	REF. NO.	PART NO.	NAME OF PART	QTY. PER ASSY.
	471820	Gas Cap Assy. (incl. pts. mkd. *)		45	471422	Switch Wire Assy.	1
8	471821	* Gas Cap Body Assy.	1	46	426662	& Screw - Self Tapping.	1
9	428600	* Filter Cover	1	47	429128	End Cap	1
10	427994	* Filter Disc.	1	48	308528	"O" Ring - Exit Valve	2
11	427278	* Cover	1	49	427696	Throttle Trigger	1
12	425087	* Gasket	1	50	309623	Retainer Clip	1
13	427277	* Bead Chain	1	51	429183	Rear Handle Cover	1
14	427213	* Lock Spring	1	52	428171	Spring - Throttle Lock	1
15	471357	Knob Assy.	1	53	427815	Pin - Throttle Lock	1
16	304614	Retaining Ring	1	54	307613	Screw - Cover to rear handle	2
17	429187	Decal - 3200	1	55	427712	Button	1
	429192	Decal - 3270	1	56	427800	Spring - Primer Button	1
18	429185	Air Filter Cover	1	57	311835	Screw - Primer to rear handle	2
19	428728	Air Filter Element	1	58	427860	Cover - Primer Pump	1
20	428204	Grommet	1	59	302437	Nut - Primer Body to Cover	2
21	429184	Rear Handle (& Air Box)	1	60	426818	Cup	1
22	307175	Screw (Rear Handle to C'case)	1	61	426815	Diaphragm	1
23	510195	Screw (Rear Handle to C'case)	3	62	426926	Cup Washer	1
24	427862	Fuel Hose (Tank to Filter)	1	63	427715	Gasket	1
25	305230	Screw (Bowl to Air Box)	1	64	426821	Screw	1
26	471917	Fuel Filter Bowl Assy.	1	65	312475	Screw Body to Cover	2
27	428010	Felt	1	67	429451	Fuel Hose - Primer intake	1
28	427369	Gasket	1	68	428013	Fuel Hose - Primer to C'case	1
29	472364	Cover	1	69	308016	Roll Pin - Rear Handle	1
30	307506	Screw	1	70	472310	Primer Body & Fitting Assy.	1
33	427888	Gasket - Reed to Carb.	1	71	428344	Grommet Retainer	1
34	473452	Carburetor	1	72	312811	Screw Carb. Grommet	1
35	428350	Fuel Hose (Filter to Carb.)	1	74	120052	Washer	2
36	306370	Cotter Pin	1	75	429187	Decal (3200)	1
37	427785	Screw (Carb. to Reed Body)	2		429192	Decal (3270)	1
38	428081	i Stud (Blow Back Tube)	1	76	429161	Cushion	1
39	471571	Blowback Tube Assy. (incl. pts. mkd. i)	1	77	426837	Spring	1
				78	426835	Stem	1
41	428351	Throttle Link	1	79	429453	Washer	1
42	427128	& Switch Button	1	80	426825	Disc. Valve - Inlet	1
43	471699	Switch Assy. (incl. pts. mkd. &)	1	81	426824	Clip	1
44	428352	Grommet	1	82	428929	Idle Adjustment Screw	1

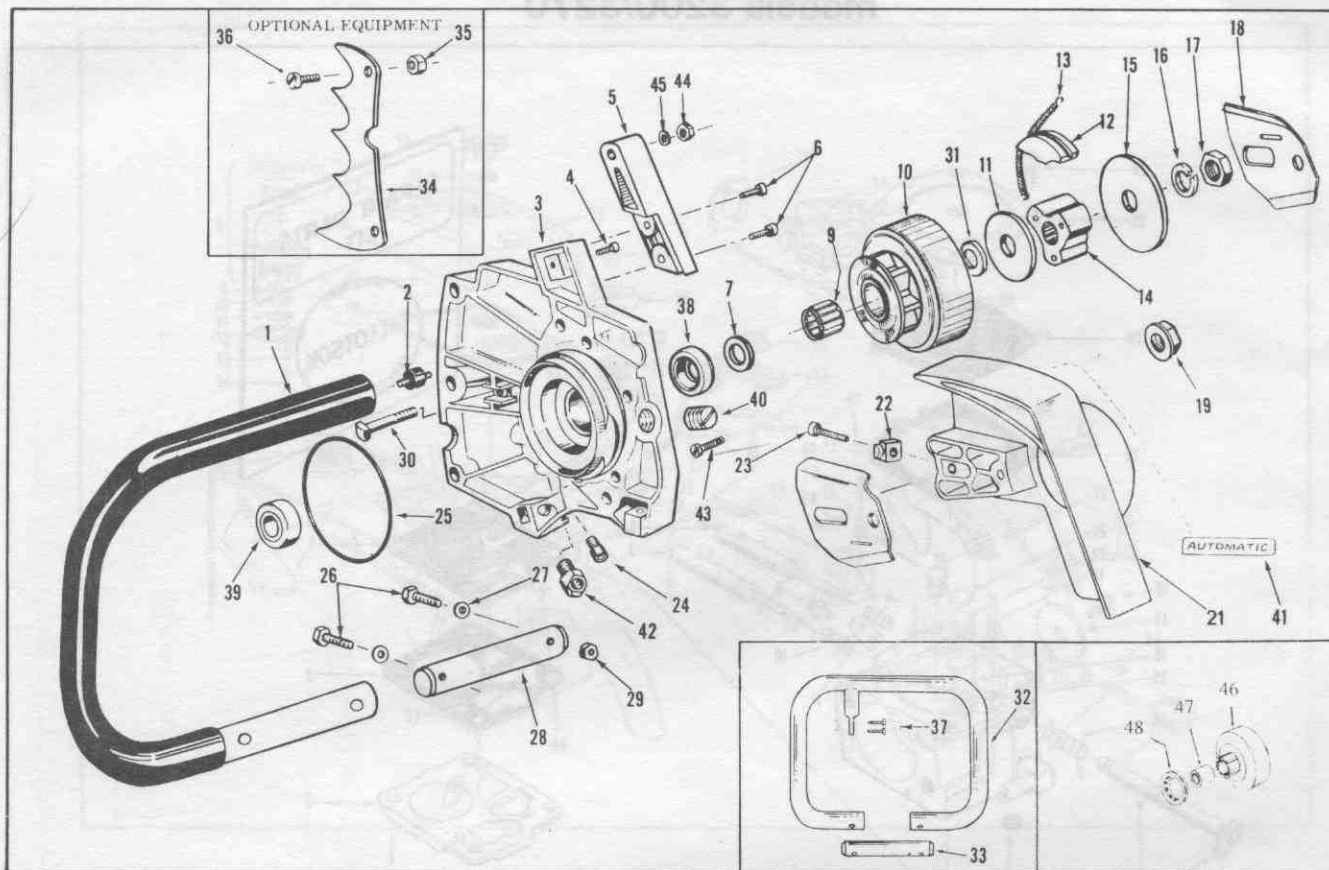
models 3200/3270



CARBURETOR PARTS LIST

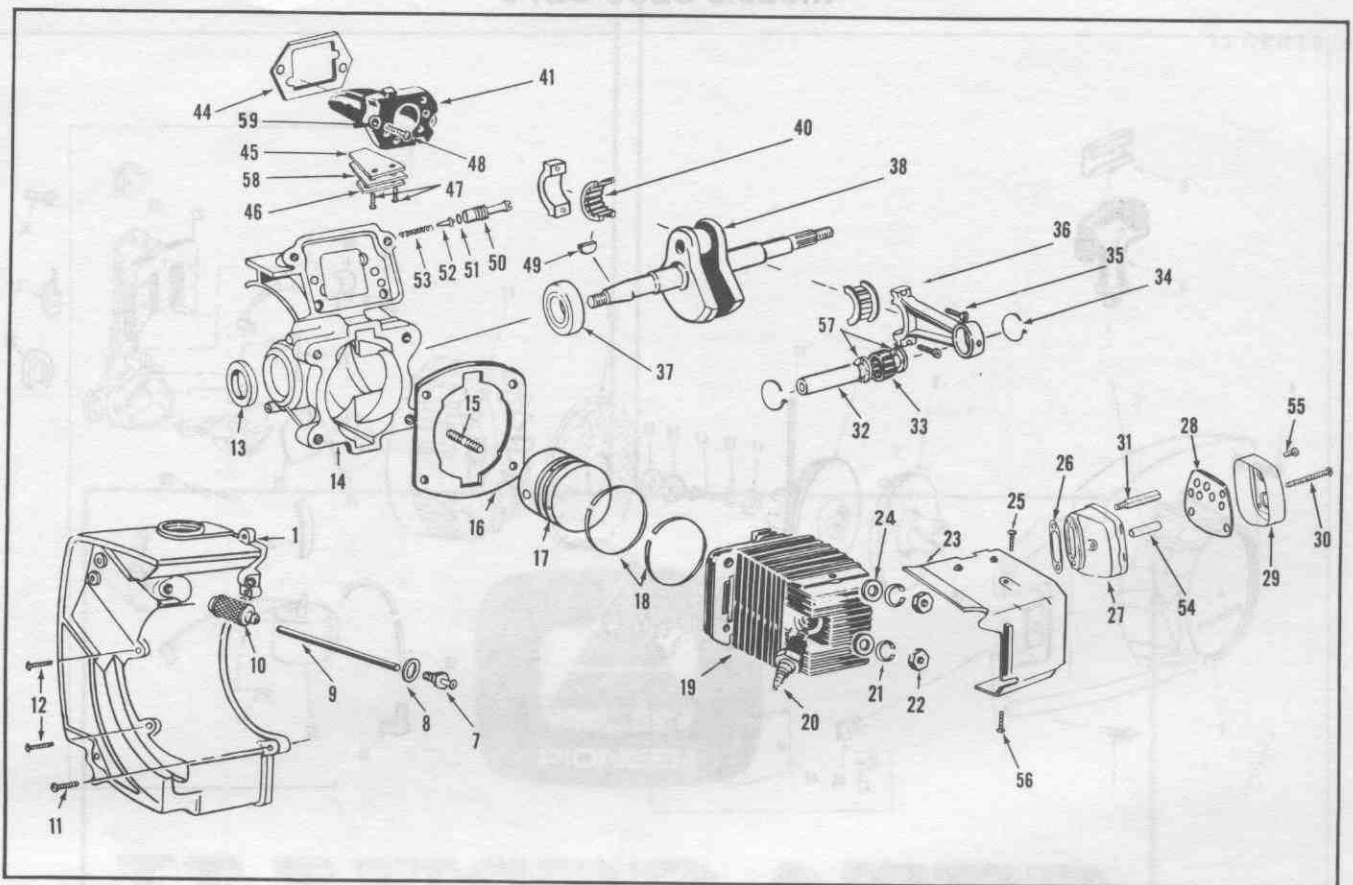
REF. NO.	PART NO.	NAME OF PART	QTY. PER ASSY.	REF. NO.	PART NO.	NAME OF PART	QTY. PER ASSY.
	473452	Carburetor Complete		14	*428417	Throttle Shaft & Return Spring . .	1
1	427955	Screw & Lockwasher	4	15	*427962	Inlet Pinion Pin Ret. Screw	1
2	427939	Cover - Pump	1	16	*426922	Inlet Tension Spring	1
3	*427940	Gasket	1	17	425966	Throttle Shutter	1
4	*427941	Diaphragm	1	18	*427947	Screw & Lockwasher	1
5	471771	Repair Parts Kit (incl. pts. mkd. *)	1	19	*427952	Inlet Needle	1
6	*428419	Idle Adj. Screw	1	20	*428149	Reducer	1
7	*428414	Main Adj. Screw	1	21	*427948	Welch Plug	1
8	*427947	Screw & Lockwasher	1	22	*427954	Inlet Pinion Pin	1
9	*425449	Idle Adj. Spring	1	23	*427950	Gasket	1
10	*425449	Main Adj. Spring	1	24	*471374	Diaphragm Assy.	1
11	427957	Throttle Shaft Clip	1	25	427956	Cover - Diaphragm	1
12	*427951	Inlet Screen	1	26	426145	Screw & Lockwasher	4
13	471739	Throttle Shaft & Lever	1	27	*427953	Inlet Control Lever	1
				28	473451	Check Valve Assy.	1

models 3200/3270



REF. NO.	PART NO.	NAME OF PART	QTY. PER ASSY.	REF. NO.	PART NO.	NAME OF PART	QTY. PER ASSY.
1	473368	Front Handle Assy. (3200)	1	24	428497	Fuel Pick-up Connector	1
1	473369	Front Handle Assy. (3270)	1	25	427889	"O" Ring	1
2	377582	Rubber Mount	1	26	303459	Bolt - Front Handle	2
3	473241	Bearing Carrier Assy. (3200)	1	27	306396	Washer - Front Handle	2
3	473242	Bearing Carrier Assy. (3270)	1	28	428027	Plug - Bottom	1
4	307175	Screw - Brg. Carrier to C'case	3	29	427170	Nut - Front Handle	1
5	428695	Front Handle Bracket	1	30	427659	Cutter Bar Bolt	2
6	510195	Screw - Handle bracket to bar pad	2	31	428164	Thrust Washer - Clutch	1
7	425015	Washer - Clutch Drum Inner	1	32	471972	Full Wrap Handle Assy. (3200)	1
9	429557	i Bearing	1	32	471973	Full Wrap Handle Assy. (3270)	1
10	473547	Clutch Drum Assy. (Canada & U.S.A. including parts marked i	1	33	428027	Plug Handle (Full Wrap)	1
10	473534	Clutch Drum Assy. (Australia) including parts marked i	1	34	471842	Pivot Grip (includes parts marked e	1
11	427915	Clutch Plate	1	35	800053	e Nut	2
12	427187	Clutch Shoe	3	36	314215	e Screw	2
13	426964	Clutch Spring	1	37	305230	Screw (Full Wrap only)	2
14	471576	Clutch Driver	1	38	428746	Seal - Bearing Carrier	1
15	427916	Clutch Cover	1	39	425066	Bearing Main- Brg. Carrier - 3270	1
16	120177	Washer	1	40	307463	Plug (3270 only)	1
17	427181	Nut (R. H. Clutch)	1	41	429204	Decal - Strut (3270 only)	1
18	429400	Guide Plate	2	42	428258	Oil Fitting (3270 only)	2
19	429661	Nut - Strut	2	43	312472	Screw - Brg. Carrier to C'case	3
21	471791	Strut Assy. (including parts marked *	1	44	302103	Nut - Bracket	1
22	425672	* Pin - Chain Adjustment	1	45	306799	Washer	1
23	202190	* Screw - Chain Adjustment	1	46	471401	Clutch Drum Assy.incl. parts mkd.&	1
				47	428091	& Bearing	1
				48	471815	Sprocket Segment (Canada & U.S.A.	1
				48	429957	Sprocket Segment (Australia)	1

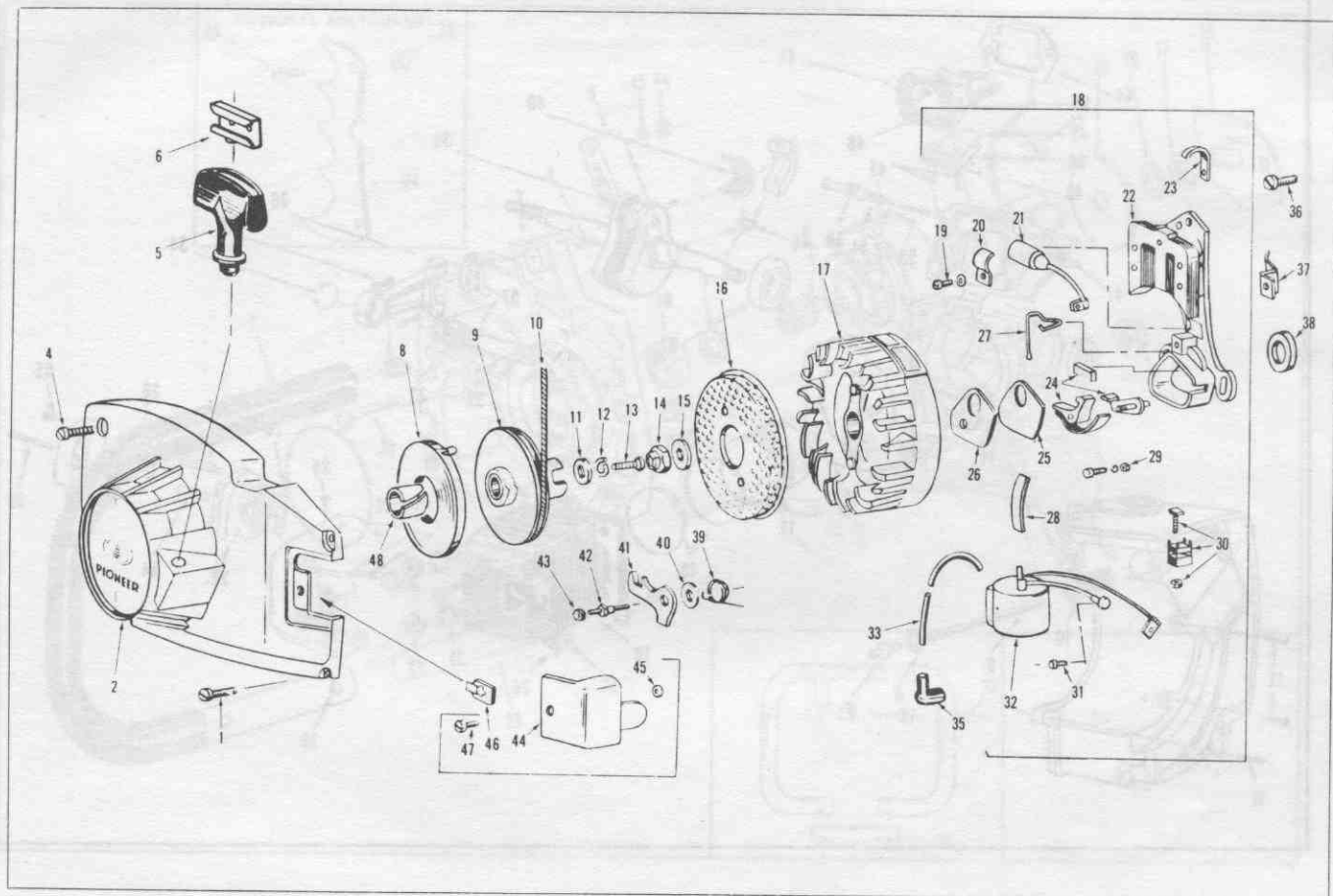
models 3200/3270



ENGINE PARTS LIST

REF. NO.	PART NO.	NAME OF PART	QTY. PER ASSY.	REF. NO.	PART NO.	NAME OF PART	QTY. PER ASSY.
1	473147	Fuel Tank Assy.	1	30	313217	Screw - Muffler to Cylinder	2
7	427856	Connector	1	31	428169	Stud - Muffler to Cylinder	2
8	427855	Gasket	1	32	428367	Wrist Pin	1
9	427857	Hose (Fuel Pickup)	1	33	473400	Bearing - Wrist Pin	1
10	470986	Pickup Head Assy.	1	34	428781	Retainer Wrist Pin	2
11	307175	Screw	6	35	428826	* Cap Screw - Con. Rod	2
		4 Fuel Tank to Brg. Carrier		36	473689	Conn. Rod Assy. (incl. pts. mkd. *)	1
		1 Oil Tank to Fuel Tank		37	427849	Main Bearing (3200-2/3270-1)	
		1 Oil Tank to Brg. Carrier		38	429479	Crankshaft (3200)	1
12	316004	Screw - Fuel Tank to C'case	2		429480	Crankshaft (3270)	1
13	427656	Seal - Crankshaft	1	40	472365	Brg. Cage Assy. c/w needles	1
14	473181	Crankcase Assy.(incl. pts. mkd. x)	1	41	472240	Reed Valve Assy.(incl. pts. mkd.\$)	1
15	426642	x Stud - C'case to Cylinder	4	44	427885	Gasket (Reed Valve to C'case)	1
16	429429	Gasket	1	45	428336	\$ Reed	1
17	471901	Piston & Dowel Pin Assy.	1	46	428127	\$ Retainer (Reed Valve)	1
18	471736	Piston Ring Set	1	47	428335	\$ Screw (Reed to Body)	2
19	471729	Cylinder Assy.	1	48	309483	Screw (Reed Valve to C'case)	2
20	428006	Spark Plug	1	49	429481	Flywheel Key	1
21	306396	Lockwasher	4	50	427981	Check Valve Body	1
22	306397	Nut	4	51	308528	"O" Ring Check Valve Body	1
23	471961	Inner Shroud Assy.		52	426835	Stem Check Valve Body	1
24	552743	Washer - Crankcase to Cylinder	4	53	426837	Spring Check Valve Body	1
25	510278	Screw - Inner Shroud	1	54	428279	Spacer - Long	1
26	428189	Gasket	1	55	305230	Screw - Muffler Cover	2
27	471641	Muffler Body Assy.	1	56	551725	Screw - Inner Shroud	1
28	428573	Baffle Plate	1	57	429446	Thrust Washers	2
29	471612	Muffler Cover	1	58	428246	\$ Reed Stiffener	1
				59	306547	Washer - Reed to Body to C'C.	2

models 3200/3270



STARTER & MAGNETO PARTS LIST

REF. NO.	PART NO.	NAME OF PART	QTY. PER ASSY.	REF. NO.	PART NO.	NAME OF PART	QTY. PER ASSY.
1	309483	Screw - Blower Cover	3	25	429849	x Gasket - Breaker Box	1
2	473138	Blower Cover Assy.	1	26	429524	x Cover - Breaker Box	1
4	316781	Screw - Blower cover to fuel tank	1	27	425698	x Spring - Breaker Box	1
5	427370	Starter Handle	1	28	427748	x Coil Wedge Spring	1
6	429540	Anchor - Rope to Handle	1	29	471366	x Fixed Contact Screw Assy.	1
8	427771	Starter Spring	1	30	471364	x Terminal Connection Unit	1
9	471371	Starter Pulley Assy.	1	31	427749	x Coil Ground Screw	1
10	426752	Starter Cord	1	32	471365	x Coil Assy.	1
11	428105	Washer	1	33	427926	High Tension Wire	1
12	306398	Washer	1	35	580339	Sparky Assembly	1
13	551725	Screw - Pulley to shaft	1	36	304605	Screw - Stator to Fuel Tank	3
14	427826	Locknut (L.H. Flywheel)	1	37	427867	Clip - High Tension Lead	2
15	427743	Washer	1	38	427917	Magneto Felt	1
16	428092	Rotating Screen	1	39	427764	Spring - Starter Pawl	2
17	473399	Flywheel Assy.	1	40	202150	Washer - Pivot to flywheel	2
18	471590	Stator Assy. (incl. pts. mkd. x)	1	41	427765	Starter Pawl	2
19	425948	x Clamp Screw Assy.	1	42	427763	Pivot	2
20	427754	x Condensor Clamp	1	43	427914	Nut - Screen to pivot	2
21	471354	x Condensor Assy.	1	44	472228	Inspect Cvr. Assy. (incl.pts.mkd. ε)	1
22	427752	x Stator Plate & Core	1	45	427968	ε Washer - inspect. cover	1
23	428106	x Clip	1	46	428445	Speed Nut	1
24	471500	x Breaker Point Set with Felt	1	47	308762	ε Screw	1
				48	428444	Bearing Liner - Nylon	1