



**PIONEER**

**CHAIN SAWS**

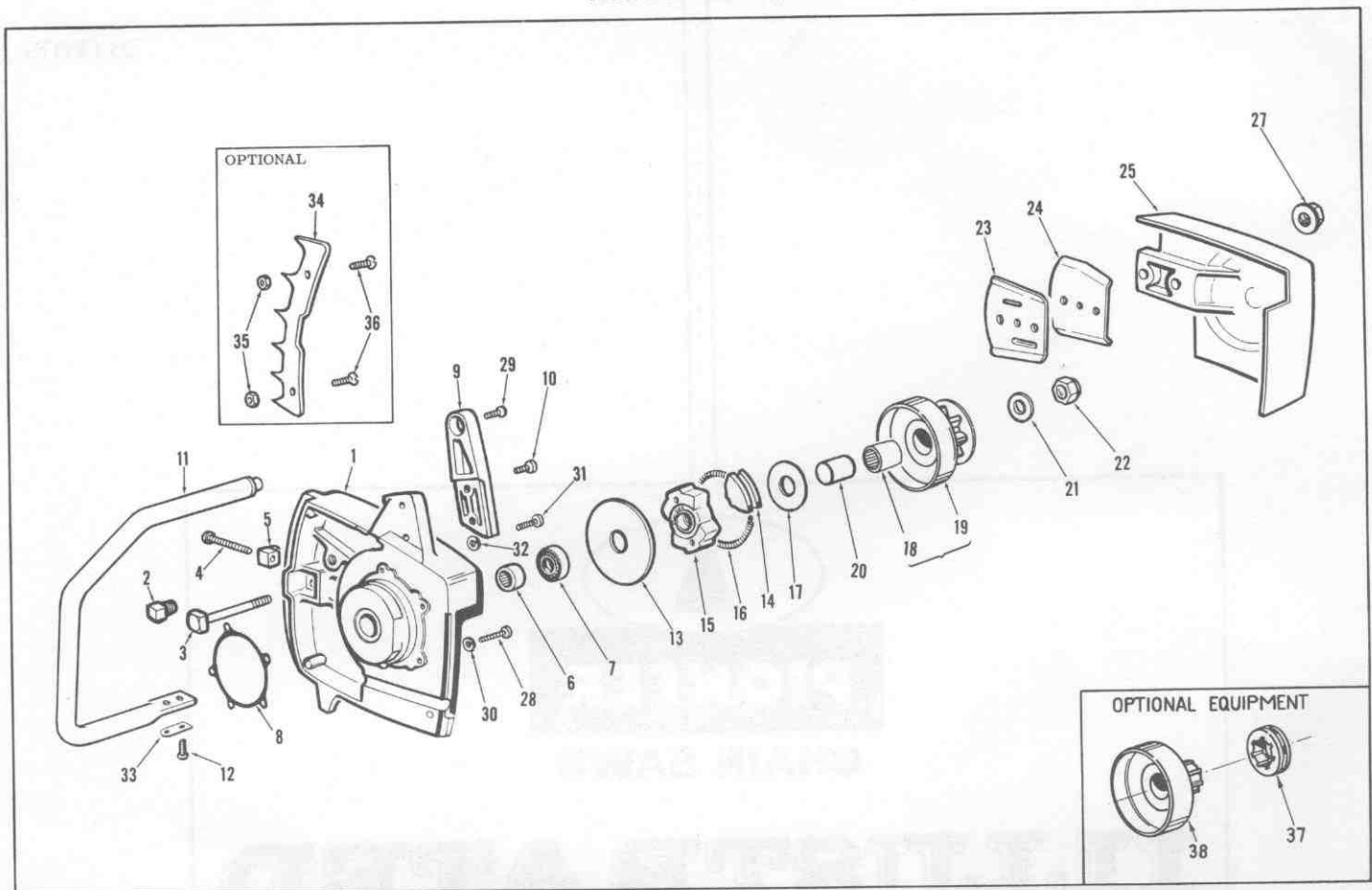
**ILLUSTRATED  
PARTS  
CATALOGUE**

PIONEER SAWS, PETERBOROUGH, ONTARIO, CANADA;  
GALESBURG, ILLINOIS, U.S.A.

**model 1200**

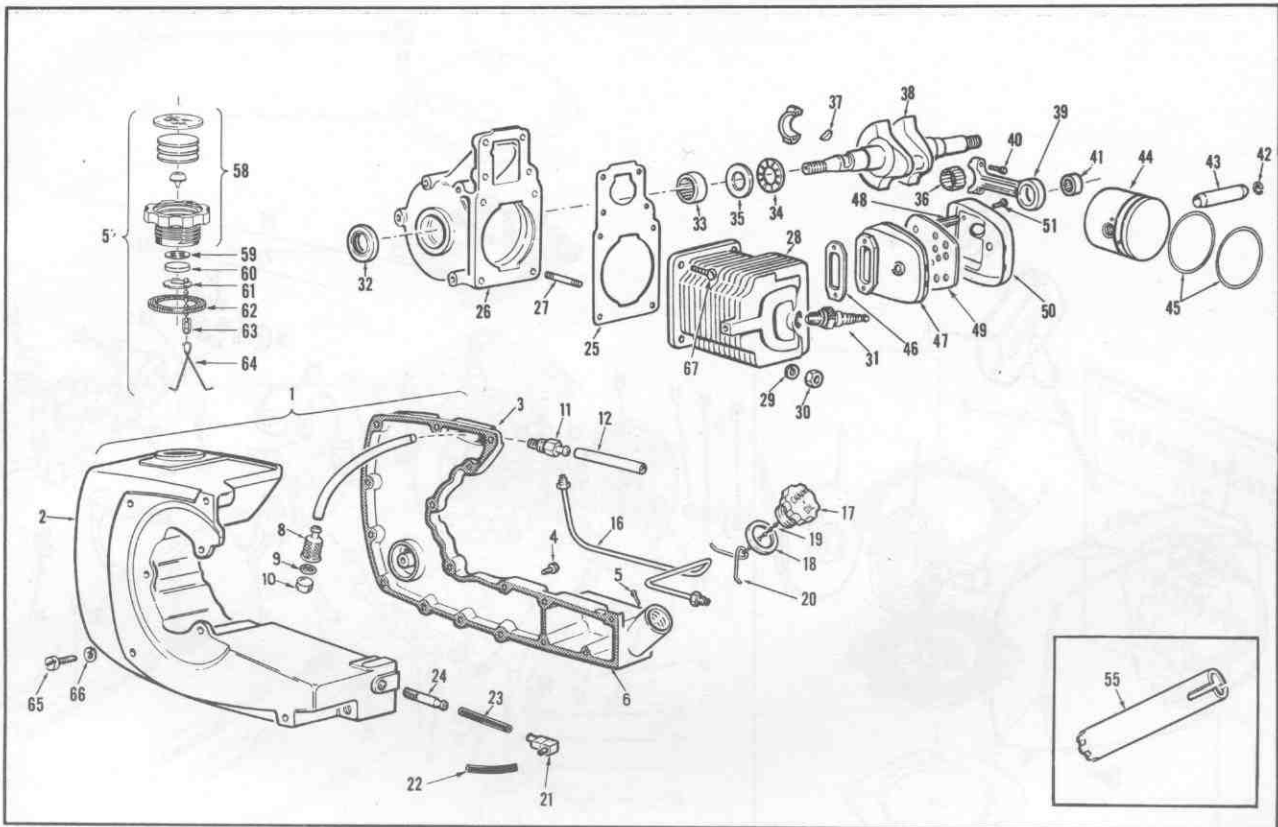


# model 1200



## CLUTCH PARTS LIST

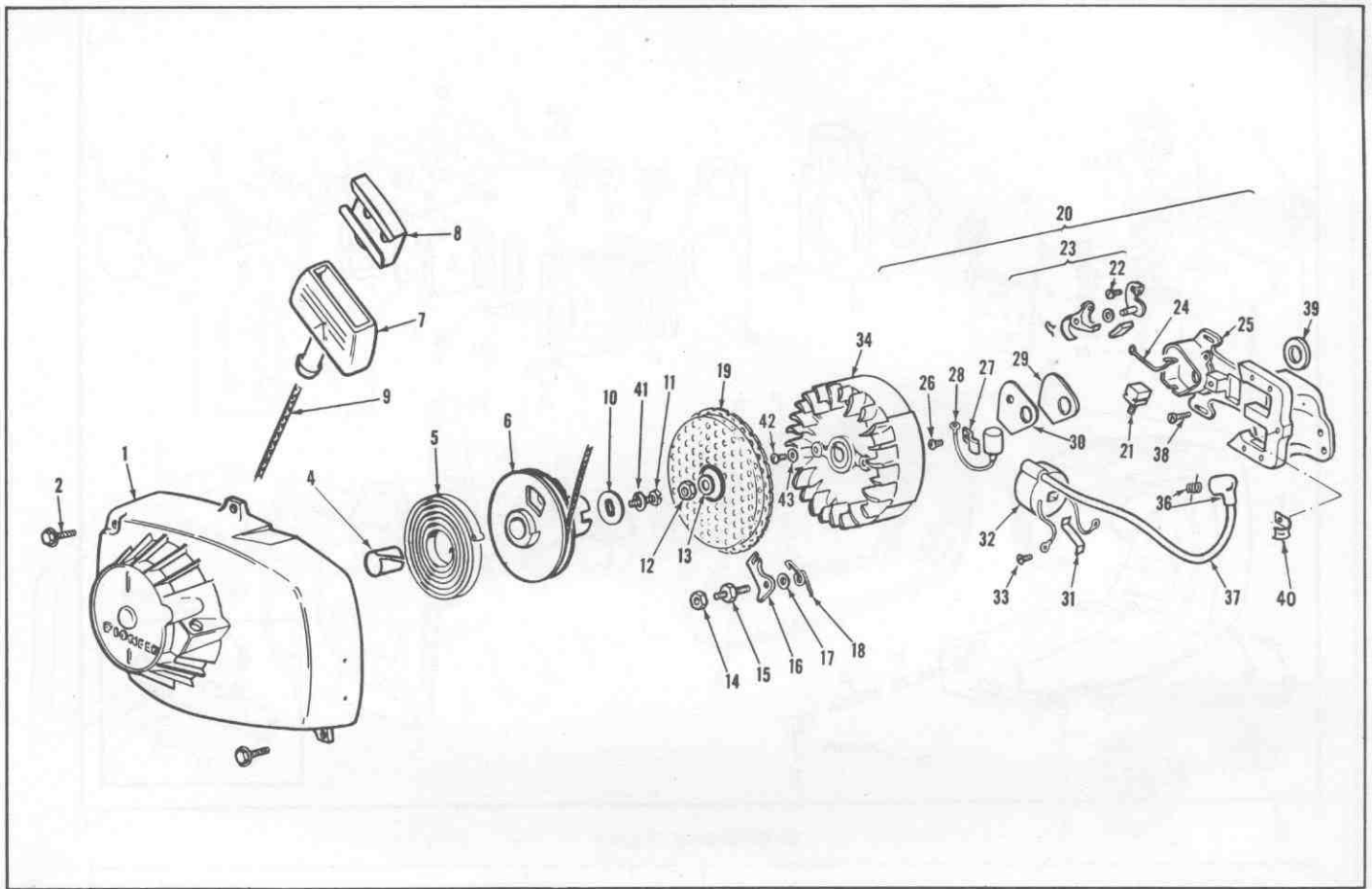
REF. NO.	PART NO.	NAME OF PART	QTY. PER ASSY.	REF. NO.	PART NO.	NAME OF PART	QTY. PER ASSY.
1	471334	Bearing Carrier Assembly . . . . .	1	20	427742	Inner Race . . . . .	1
		(Includes parts marked *)		21	427743	Outer Thrust Washer . . . . .	1
2	427997	Elbow - Oiler . . . . .	1	22	427181	Lock Nut - Clutch Side . . . . .	1
3	427659	Bolt - Cutter Bar . . . . .	2	23	427775	Inner Guide Plate . . . . .	1
4	201767	* Screw - (Chain Adjust) . . . . .	1	24	427776	Outer Guide Plate . . . . .	1
5	425672	* Pin - (Chain Adjust) . . . . .	1	25	429145	Strut . . . . .	1
6	427657	Bearing C'shaft . . . . .	1	27	429661	Nut - Strut Bolt . . . . .	2
7	427656	Oil Seal . . . . .	1	28	307466	Screw - C'case to Brg. Carrier . . .	2
8	428462	Gasket - Brg. Carrier to C'case . .	1	29	304606	Screw - Handle to Bracket . . . . .	1
9	427778	Front Handle Bracket . . . . .	1	30	120052	Lockwasher . . . . .	2
10	304606	Screw - Bracket to Saw . . . . .	2	31	309330	Screw - C'case to Brg. Carrier . . .	3
11	473652	Front Handle Bar Assy. . . . .	1	32	304145	Lockwasher . . . . .	3
12	304606	Screw - Handle to Tank . . . . .	2	33	428000	Plate - Handle Mounting . . . . .	1
13	429407	Cover - Clutch . . . . .	1	34	471581	Pivot Grip Assy.(Incl. pts. mkd. ÷)	1
14	427736	Clutch Shoe . . . . .	2	35	800053	÷ Nut . . . . .	2
15	473335	Clutch Driver . . . . .	1	36	307175	÷ Screw . . . . .	2
16	426964	Garter Spring . . . . .	1	37	471815	3/8 Rim Sprocket Segment . . .	1
17	427737	Inner Thrust Washer . . . . .	1	38	471399	Sprocket Assy. c/w Brg. (18) . . .	1
18	429557	Bearing . . . . .	1				
19	473532	Sprocket Assy. c/w Brg. 3/8 P.	1				



ENGINE PARTS LIST

REF. NO.	PART NO.	NAME OF PART	QTY. PER ASSY.	REF. NO.	PART NO.	NAME OF PART	QTY. PER ASSY.
1	473539	Fuel & Oil Tank Assembly . . . . .	1	33	427657	Bearing . . . . .	1
		(Includes parts marked *)		34	112840	Thrust Bearing . . . . .	2
2	428132	* Fuel & Oil Tank . . . . .	1	35	427661	Thrust Race . . . . .	2
3	429534	* Tank Cover . . . . .	1	36	471493	Roller Needle Set . . . . .	1
4	428358	* Screw - Cover to Tank . . . . .	17	37	428409	Fly Wheel Key . . . . .	1
5	306370	* Cotter Pin . . . . .	1	38	429406	Crankshaft . . . . .	1
6	428146	* Gasket - Tank to cover . . . . .	1	39	471854	Con.Rod Assy. (Inc. pts. mkd. i)	1
8	473459	Fuel Pick-up Assy. . . . .	1	40	311761	i Cap Screw . . . . .	2
		(includes parts marked *)		41	429444	i Wrist Pin Bearing . . . . .	1
9	429530	Screen - Fuel Pick-up* . . . . .	1	42	427671	Retainer - Wrist Pin . . . . .	2
10	425670	Filter - Felt* . . . . .	1	43	427670	Wrist Pin . . . . .	1
11	473826	Fitting & Hose Assy. . . . .	1	44	471697	Piston . . . . .	1
12	429533	Hose - Carburetor to Fitting . . . . .	1	45	471698	Piston Ring Kit . . . . .	1
16	471528	Oil Line - Pump to Bar . . . . .	1	46	428189	Gasket - Muffler . . . . .	1
17	471511	Oil Filler Cap & Gasket Assy. . . . .	1	47	471610	Muffler Body Assembly . . . . .	1
		(includes parts marked ç)		48	428188	Stud - Muffler . . . . .	2
18	427689	ç Gasket - Oil Filler Cap . . . . .	1	49	428573	Baffle Plate . . . . .	1
19	427690	ç Bead Chain . . . . .	1	50	427797	Cover - Muffler . . . . .	1
20	427976	ç Lock Spring . . . . .	1	51	305230	Muffler Screw . . . . .	2
21	428459	Fitting - Oil Pickup in Tank . . . . .	1	55	427973	Spark Plug Wrench . . . . .	1
22	428460	Oil Line - Tank to Pump . . . . .	1	57	471820	Gas Cap Assy. - Complete . . . . .	1
23	428337	Hose - Oiler Pickup Line . . . . .	1			(includes parts marked ?)	
24	472152	Pickup Body Assembly . . . . .	1	58	471821	? Gas Cap Body Assembly . . . . .	1
25	427672	Gasket - Crankcase to Cylinder . . . . .	1	59	428600	? Cover Plate . . . . .	1
26	471779	Crankcase Assembly . . . . .	1	60	427994	? Filter Disc . . . . .	1
		(includes parts marked \$)		61	427278	? Cover . . . . .	1
27	426642	\$ Stud - To Cylinder . . . . .	2	62	425087	? Gasket . . . . .	1
28	428512	Cylinder . . . . .	1	63	427277	? Bead Chain . . . . .	1
29	306396	Lockwasher . . . . .	4	64	427213	? Lock Spring . . . . .	1
30	306397	Nut . . . . .	2	65	309330	Screw - Tank to Crankcase . . . . .	3
31	428006	Spark plug CJ8 . . . . .	1	66	304145	Lock Washer . . . . .	3
32	427656	Seal - Crankcase . . . . .	1	67	306409	Screw - Cylinder to Crankcase . . . . .	2

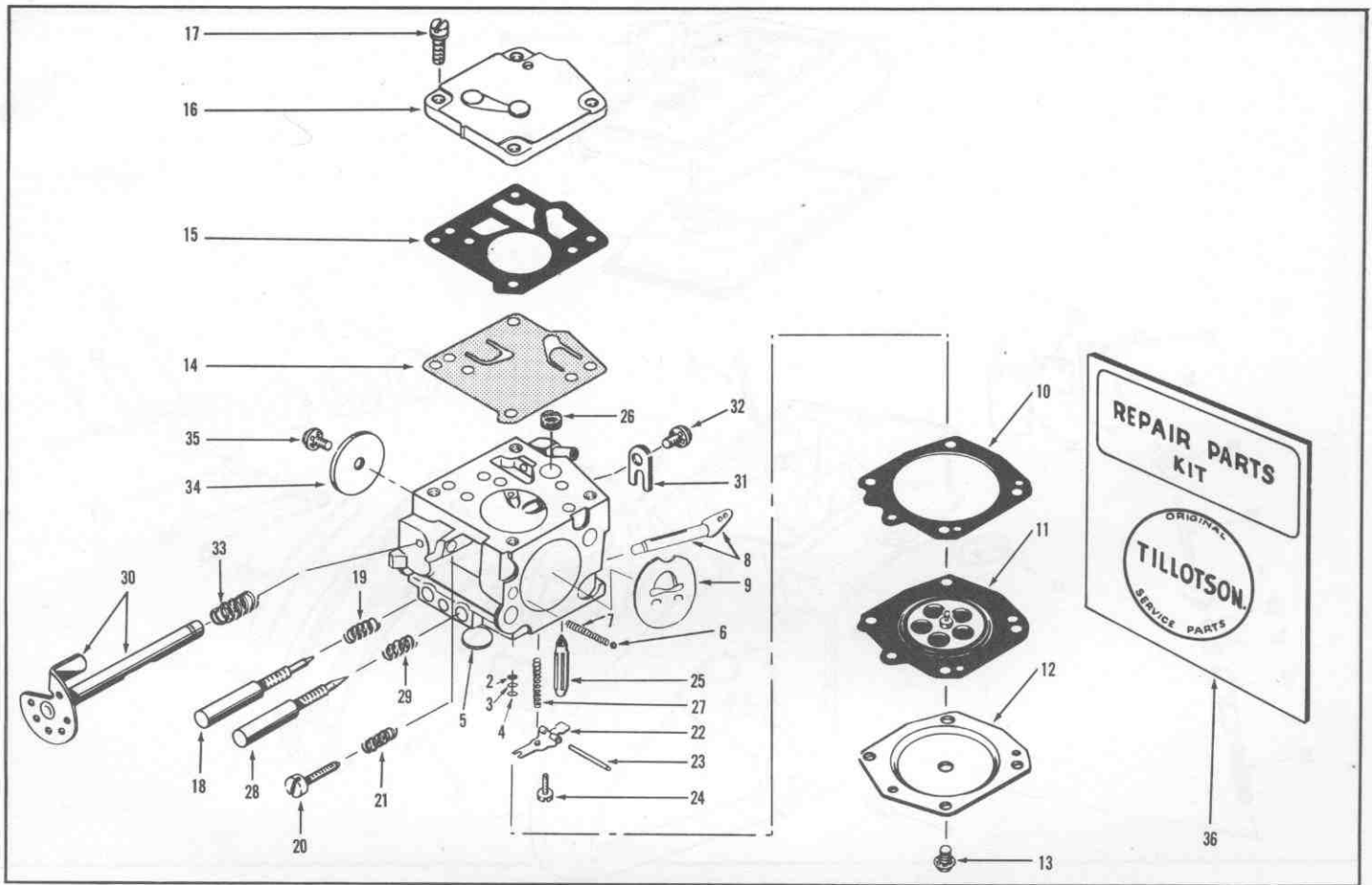
# model 1200



## STARTER & MAGNETO PARTS LIST

REF. NO.	PART NO.	NAME OF PART	QTY. PER ASSY.	REF. NO.	PART NO.	NAME OF PART	QTY. PER ASSY.
1	472982	Blow Cover Assembly . . . . .	1	22	471366	*Fixed Contact Clamp Screw Assy.	1
2	428094	Screw (Blower to Tank) . . . . .	4	23	471500	* Breaker Point Set . . . . .	1
4	428444	Liner Bushing . . . . .	1	24	425698	* Spring Breaker Box . . . . .	1
5	427771	Starter Spring . . . . .	1	25	427752	* Stator Plate & Core . . . . .	1
6	471371	Starter Pulley Assembly . . . . .	1	26	425948	* Condenser Clamp Screw Assy. . .	1
7	427370	Handle . . . . .	1	27	427754	* Condenser Clamp . . . . .	1
8	429540	Anchor . . . . .	1	28	471354	* Condenser Group Assembly . . .	1
9	426752	Cord . . . . .	1	29	427757	* Gasket (Cover) . . . . .	1
10	428105	Washer . . . . .	1	30	427756	* Cover (Breaker Box) . . . . .	1
11	551725	Screw (Pulley to Shaft) . . . . .	1	31	427748	* Coil Wedge Spring . . . . .	1
12	427826	Locknut (Flywheel) . . . . .	1	32	471365	* Coil Assembly . . . . .	1
13	429851	Washer (Flywheel) . . . . .	1	33	427749	* Coil Grounding Screw . . . . .	1
14	800053	Nut (Screen to Pivot) . . . . .	1	34	471362	Flywheel Assembly . . . . .	1
15	427763	Pivot . . . . .	1	36	580339	Sparky Assembly . . . . .	1
16	427765	Starter Pawl . . . . .	1	37	427745	* High Tension Lead . . . . .	1
17	202150	Washer (Pivot to Flywheel) . . . .	1	38	304605	Screw . . . . .	3
18	427764	Spring . . . . .	1	39	427917	Felt - Magneto to Crankcase . . . .	1
19	427766	Rotating Screen . . . . .	1	40	428106	* Clip - Magneto . . . . .	1
20	471590	Stator Assembly Complete (includes parts marked *)	1	41	306398	Lockwasher . . . . .	1
21	471364	* Terminal Connection Unit . . . . .	1	42	307051	Screw for Rotating Screen . . . . .	1
				43	428947	Spacer . . . . .	1

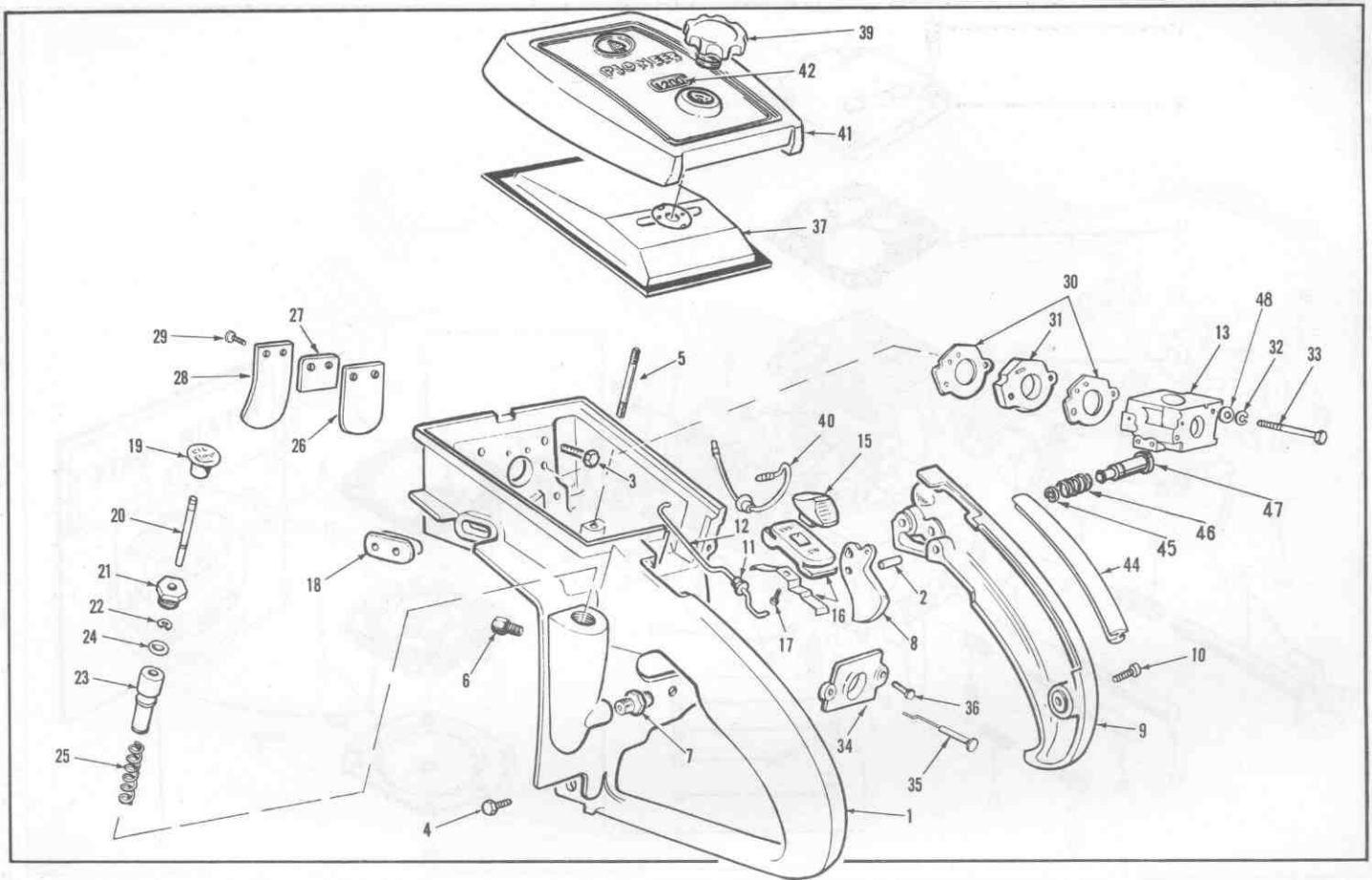
# model 1200



## CARBURETOR PARTS LIST

REF. NO.	PART NO.	NAME OF PART	QTY. PER ASSY.	REF. NO.	PART NO.	NAME OF PART	QTY. PER ASSY.
1	471772	Carburetor Complete . . . . .	1	19	425449	* Idle Mixture Screw Spring . . . . .	1
2	427942	Body Channel Screen . . . . .	1	20	427963	* Idle Speed Screw . . . . .	1
3	427943	Body Channel Screen Ret. Ring	1	21	427946	* Idle Speed Screw Spring . . . . .	1
4	427944	* Body Channel Welch Plug (small)	1	22	427953	* Inlet Control Lever . . . . .	1
5	427948	* Body Channel Welch Plug (large)	1	23	427954	* Inlet Pinion Pin . . . . .	1
6	428452	Choke Friction Ball . . . . .	1	24	427962	* Inlet Pinion Pin Ret. Screw . . . . .	1
7	428453	Choke Friction Spring . . . . .	1	25	427952	* Inlet Needle . . . . .	1
8	471775	Choke Shaft & Lever . . . . .	1	26	427951	* Inlet Screen . . . . .	1
9	428451	Choke Shutter . . . . .	1	27	425498	* Inlet Tension Spring . . . . .	1
10	427950	Diaphragm Cover . . . . .	1	28	427960	* High Speed Mixture Screw . . . . .	1
11	471374	* Diaphragm . . . . .	1	29	425449	* High Speed Mixture Screw Spring . . . . .	1
12	427956	Diaphragm Cover . . . . .	1				
13	426145	Diaphragm Cover Ret. Screw & L'washer . . . . .	4	30	471380	Throttle Shaft & Lever . . . . .	1
14	427941	* Fuel Pump Diaphragm . . . . .	1	31	427957	Throttle Shaft Clip . . . . .	1
15	427940	Fuel Pump Gasket . . . . .	1	32	427947	Throttle Shaft Clip Ret. Screw . . . . .	1
16	427939	Fuel Pump Cover . . . . .	1	33	427961	* Throttle Shaft Return Spring . . . . .	1
17	427955	Fuel Pump Cover Ret. Screw & L'washer . . . . .	4	34	425966	Throttle Shutter . . . . .	1
18	427959	* Idle Mixture Screw . . . . .	1	35	427947	* Throttle Shutter Screw . . . . .	1
				36	471497	Repair Parts Kit (includes Parts Marked *) . . . . .	1

# model 1200



OUTER ASSEMBLIES PARTS LIST

REF. NO.	PART NO.	NAME OF PART	QTY. PER ASSY.	REF. NO.	PART NO.	NAME OF PART	QTY. PER ASSY.
1	471346	Rear Handle Assembly . . . . .	1	24	428906	"O" Ring (Oil Pump) . . . . .	1
2	308016	Roll Pin - Throttle Trigger . . . . .	1	25	427925	Spring - Plunger - Oil Pump . . . . .	1
3	510397	Screw - Rear Handle Crankcase . . . . .	4	26	427700	Reed Valve . . . . .	1
4	510397	Screw - Rear Handle Tank . . . . .	1	27	427701	Reed Support Plate . . . . .	1
5	428461	Stud . . . . .	1	28	427702	Reed Backing Plate . . . . .	1
6	471478	Outlet Valve Assemblby - Oil pump	1	29	303764	Screw - Reed Valve . . . . .	2
7	471780	Inlet Valve Assembly - Oil pump	1	30	427722	Gasket - Carb. Mounting . . . . .	2
8	427696	Throttle Trigger . . . . .	1	31	427723	Insulating Block - Carburetor . . . . .	1
9	429144	Rear Handle Cover . . . . .	1	32	120052	Lockwasher - Carb. Mounting . . . . .	2
10	307613	Screw - Handle Cover . . . . .	2	33	427785	Screw . . . . .	2
11	428352	Grommet - Throttle link . . . . .	1	34	428892	Cover - Choke . . . . .	1
12	427699	Throttle link . . . . .	1	35	428447	Choke Knob & Lever . . . . .	1
13	471772	Carburetor Complete with choke . . . . .	1	36	200608	Screw - Choke Cvr. to Rear Handle	2
15	427128	x Switch Button . . . . .	1	37	471355	Air Filter Element . . . . .	1
16	471699	Switch Assy. (inc. pts. mkd. x) . . . . .	1	39	471357	Knob Assembly . . . . .	1
17	426662	x Screw Self Tapping (Switch) . . . . .	1	40	471368	Switch Wire Assembly . . . . .	1
18	428108	Grommet Hi-Lo . . . . .	1	41	429149	Cover - Air Filter . . . . .	1
19	427704	Button - Oiler . . . . .	1	42	429150	1200 Decal . . . . .	1
20	427705	Push Rod . . . . .	1	44	429161	Cushion . . . . .	1
21	427706	Cap - Oil Pump . . . . .	1	45	309623	Retaining Ring - Throttle Lock . . . . .	1
22	427788	Retaining Clip . . . . .	1	46	428171	Spring - Throttle Lock . . . . .	1
23	427098	Plunger - Oiler . . . . .	1	47	427815	Pin - Throttle Lock . . . . .	1
				48	300154	Washer - Carb. Screw . . . . .	2