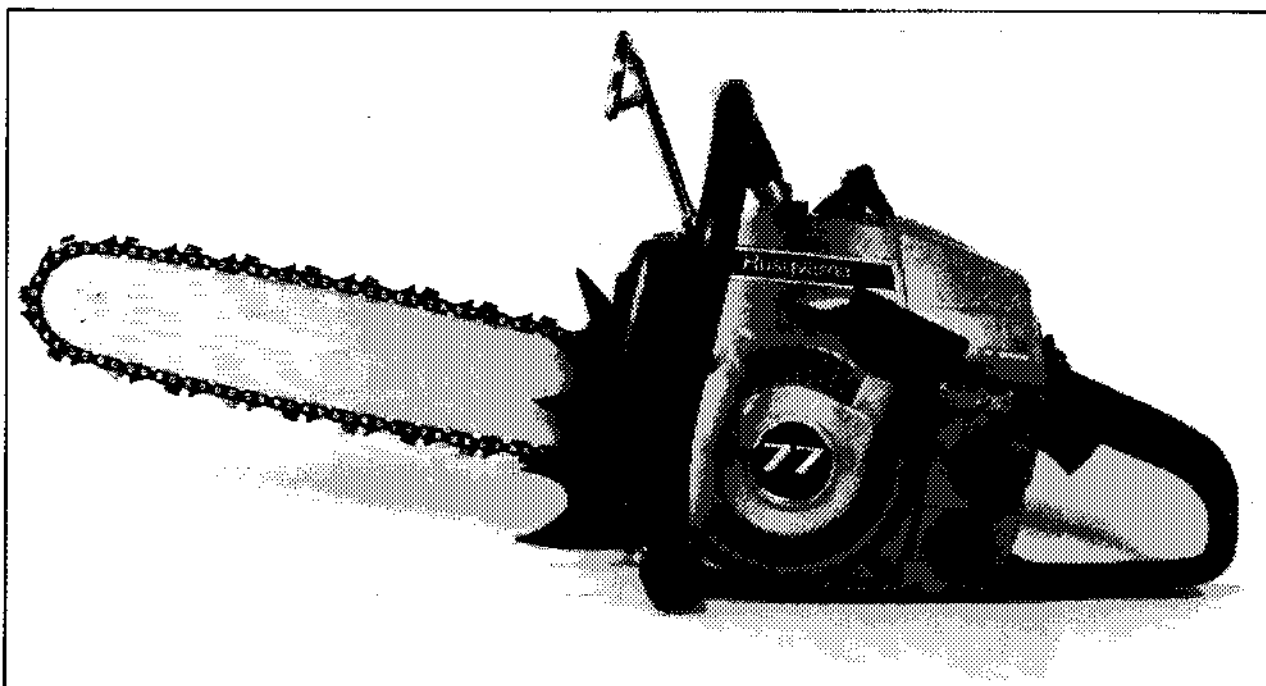


77



1. 1984

Reservdelar

Spare parts

Ersatzteile

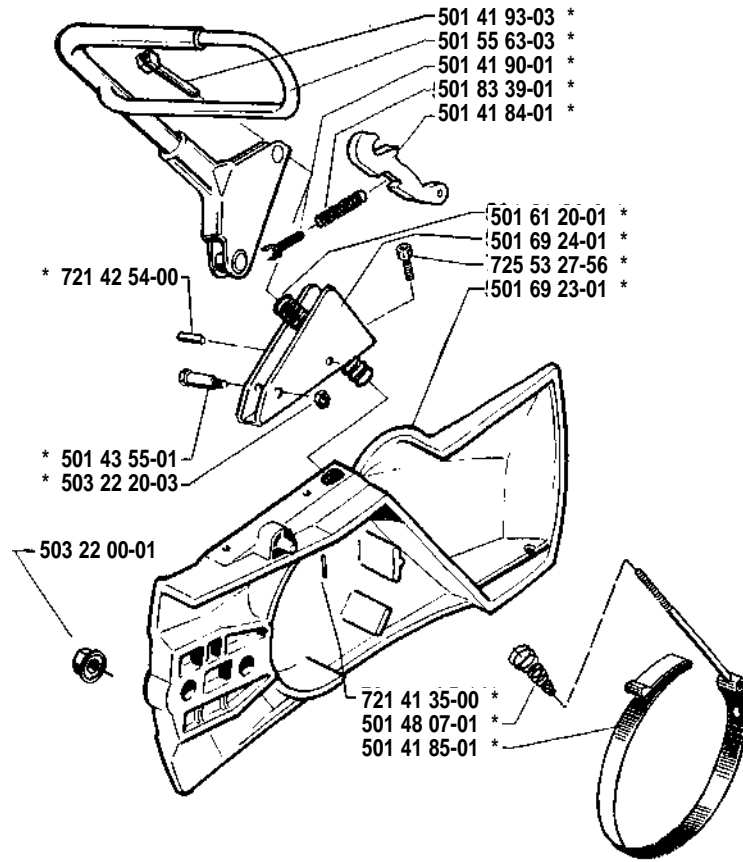
Pièces de rechange

| Beställn.-nummer Part number Best. Nr No de commande Varaosä n:ro | Ruta Box Viereck Carreau Index | Anm. Remarks Anm. Notes Huom | Beställn.-nummer Part number Best. Nr No de commande Varaosä n:ro | Ruta Box Viereck Carreau Index | Anm. Remarks Anm. Notes Huom | Beställn.-nummer Part number Best. nr No de commande Varaosä n:ro | Ruta Box Viereck Carreau Index | Anm. Remarks Anm. Notes Huom |
|---|--|--|---|--|--|---|--|--|
| 112 70 43-02 | B | | 501 23 88-01 | M | | 501 56 45-01 | G | |
| 501 05 64-01 | D | | 501 24 20-01 | F | | 501 58 81-01 | C | |
| 501 08 17-01 | K | | 501 24 41-01 | G | | 501 57 62-01 | D | |
| 501 15 28-01 | D, H | | 501 24 42-01 | G | | 501 58 98-01 | G | |
| 501 15 43-01 | G | | 501 24 71-01 | B | | 501 60 25-01 | C | |
| 501 15 61-10 | G | | 501 24 81-01 | G | | 501 61 20-01 | A | |
| 501 20 25-02 | I | | 501 24 82-02 | B, F, K | | 501 61 69-02 | C | |
| 501 20 27-01 | I | | 501 25 02-61 | D | | 501 67 32-01 | K | |
| 501 20 28-01 | I | | 501 25 04-03 | D | | 501 67 33-02 | N | |
| 501 20 29-01 | I | | 501 25 04-04 | D | | 501 67 35-01 | K | |
| 501 20 31-01 | I | | 501 25 04-05 | D | | 501 67 47-01 | I | |
| 501 20 32-01 | I | | 501 25 08-01 | E | | 501 67 78-01 | G | |
| 501 20 33-01 | I | | 501 25 10-01 | E | ① | 501 67 96-01 | K | |
| 501 20 37-01 | I | | 501 25 14-01 | B | | 501 69 10-01 | M | |
| 501 20 45-01 | I | | 501 25 15-01 | B | | 501 69 22-01 | A | |
| 501 20 51-01 | I | | 501 25 21-01 | D | ① | 501 69 23-01 | A | |
| 501 20 61-01 | E | | 501 25 46-01 | M | | 501 69 24-01 | A | |
| 501 20 66-01 | G | | 501 25 59-01 | I | | 501 69 25-01 | C | |
| 501 20 67-01 | G | | 501 26 05-10 | G | | 501 69 58-01 | K | |
| 501 20 68-01 | G | | 501 26 73-01 | F | | 501 69 66-01 | B | |
| 501 20 69-01 | G | | 501 26 74-01 | F | | 501 83 19-01 | K | |
| 501 20 71-01 | I | | 501 26 75-01 | F | | 501 83 20-01 | K | |
| 501 20 75-02 | F | | 501 26 85-01 | M | | 501 83 39-01 | A | |
| 501 20 81-01 | F | | 501 26 89-01 | M | | 501 83 43-01 | E | |
| 501 20 82-04 | F | | 501 26 90-01 | M | | 502 01 22-01 | M | |
| 501 20 88-62 | G | | 501 27 13-01 | B | | 503 20 40-08 | G | |
| 501 20 89-01 | A | | 501 27 74-01 | I | | 503 20 81-01 | E | |
| 501 20 91-01 | F | | 501 27 82-01 | G | | 503 22 00-01 | A | |
| 501 20 98-01 | G | | 501 27 92-01 | C | | 503 22 10-03 | K | |
| 501 20 99-01 | F | | 501 28 93-01 | D | ① | 503 22 20-03 | A, C, E | |
| 501 21 02-01 | F | | 501 29 96-01 | K | | 503 22 20-04 | F | |
| 501 21 04-02 | B | | 501 40 21-02 | L | | 503 23 00-01 | K | |
| 501 21 22-01 | I | | 501 40 22-01 | L | | 503 23 00-03 | F | |
| 501 21 23-01 | I | | 501 40 24-02 | L | | 503 23 00-07 | F | |
| 501 21 27-01 | G | | 501 40 27-01 | L | | 503 23 00-13 | I | |
| 501 21 37-01 | F | | 501 40 32-02 | I | | 503 23 00-15 | F | |
| 501 21 38-01 | F | | 501 40 34-02 | I | | 503 23 01-02 | C | |
| 501 21 59-01 | J | | 501 40 72-01 | L | | 503 23 50-11 | D | |
| 501 21 62-01 | F | | 501 40 89-01 | L | | 503 23 51-08 | D | |
| 501 21 67-01 | G | | 501 41 06-01 | E | | 503 24 01-01 | G | |
| 501 21 81-01 | L | | 501 41 75-04 | E, M | | 503 26 02-04 | G | |
| 501 21 93-01 | B | | 501 41 84-01 | A | | 503 26 04-01 | I | |
| 501 21 94-01 | B | | 501 41 85-01 | A | | 721 41 35-00 | A, F | |
| 501 22 00-01 | M | | 501 41 90-01 | A | | 721 42 54-00 | A | |
| 501 22 01-01 | M | | 501 41 93-03 | A | | 723 12 93-55 | I | |
| 501 22 02-01 | M | | 501 42 06-01 | B | | 723 13 27-51 | F | |
| 501 22 03-01 | M | | 501 42 59-64 | G | | 723 13 29-55 | L | |
| 501 22 04-01 | M | | 501 42 64-01 | G | | 723 13 35-55 | L | |
| 501 22 05-01 | M | | 501 42 65-01 | G | | 725 23 82-55 | C | |
| 501 22 08-01 | M | | 501 42 69-01 | M | | 725 52 93-56 | K | |
| 501 22 09-01 | M | | 501 42 70-01 | M | | 725 52 95-56 | I | |
| 501 22 10-01 | M | | 501 42 71-01 | M | | 725 53 23-05 | C | |
| 501 22 11-01 | M | | 501 43 02-01 | L | | 725 53 27-56 | A | |
| 501 22 12-01 | M | | 501 43 14-01 | G | | 725 53 28-55 | C | |
| 501 22 13-01 | M | | 501 43 55-01 | A | | 725 53 28-56 | F | |
| 501 22 14-01 | M | | 501 46 67-01 | M | | 725 53 29-55 | F | |
| 501 22 15-01 | M | | 501 48 07-01 | A | | 725 53 31-56 | F | |
| 501 22 17-01 | M | | 501 48 54-01 | K | | 725 53 32-55 | G | |
| 501 22 18-01 | M | | 501 49 48-02 | M | | 725 53 35-55 | B, F | |
| 501 22 19-01 | M | | 501 53 82-03 | F | | 725 53 37-55 | D | |
| 501 22 20-01 | M | | 501 54 86-01 | G | | 725 53 40-55 | G | |
| 501 22 21-01 | M | | 501 54 95-01 | K | | 725 54 63-56 | F | |
| 501 22 22-01 | M | | 501 55 14-01 | L | | 725 63 68-56 | L | |
| 501 22 24-01 | M | | 501 55 21-01 | M | | 725 63 69-56 | F | |
| 501 22 25-01 | M | | 501 55 22-01 | F | | 725 63 74-55 | F | |
| 501 22 29-01 | M | | 501 55 61-01 | H | | 732 21 16-01 | F | |
| 501 22 30-01 | M | | 501 55 63-03 | A | | 734 11 46-01 | K | |
| 501 22 32-01 | M | | 501 55 71-03 | F | | 735 11 46-50 | B, D, F, G | |
| 501 22 40-03 | G | | 501 55 74-01 | F | | 735 11 73-50 | K | |
| 501 22 41-01 | G | | 501 55 75-01 | F | | 735 31 08-20 | G | |
| 501 22 43-01 | F | | 501 55 76-01 | F | | 735 88 06-00 | H | |
| 501 22 68-01 | G | | 501 56 31-01 | K | | 738 22 02-25 | H | |

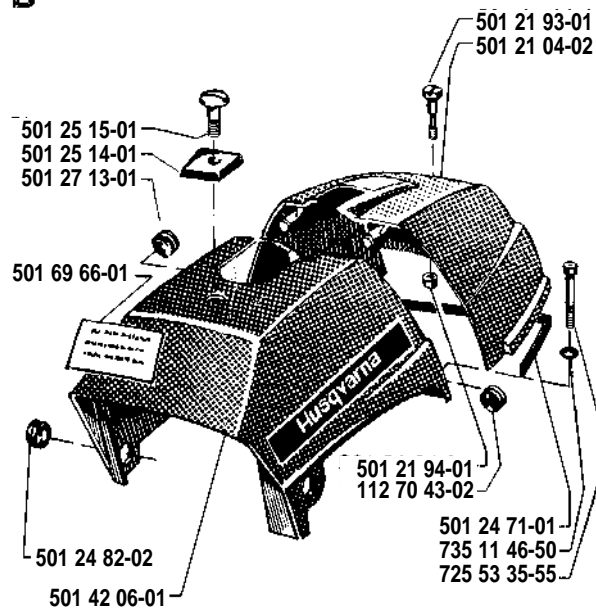
① 501 22 38-02
Packningssats
Set of gaskets
Dichtungssatz
Jeu de joints

A

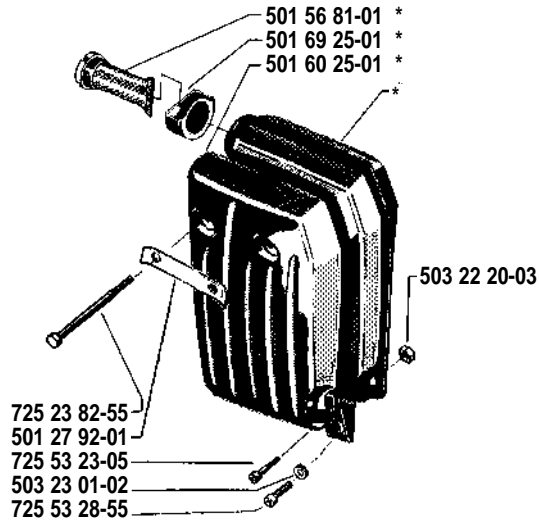
* compl 501 69 22-01



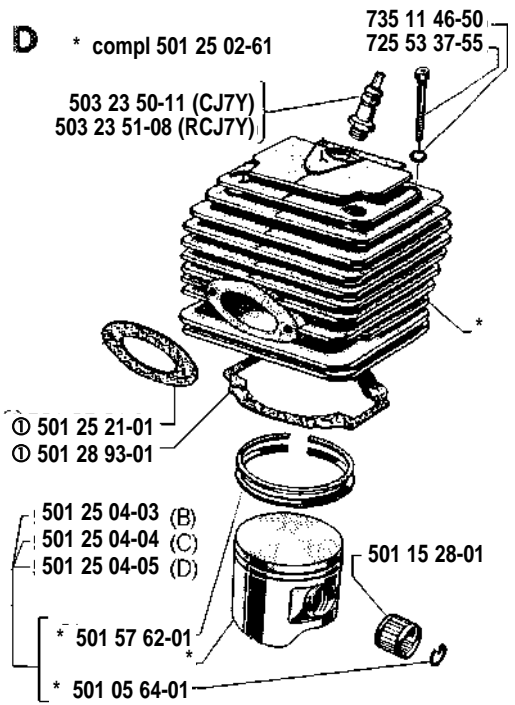
B



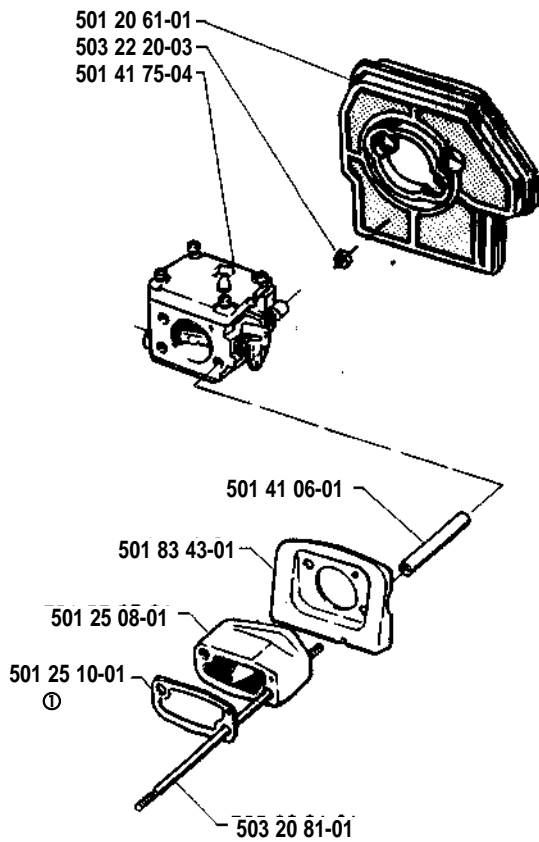
C * compl 501 61 69-02



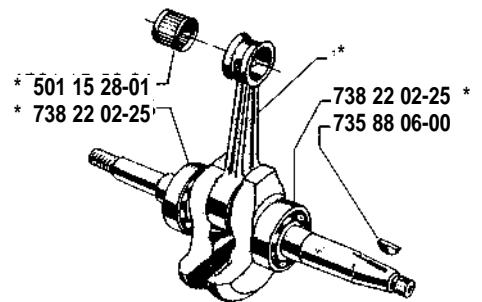
D * compl 501 25 02-61

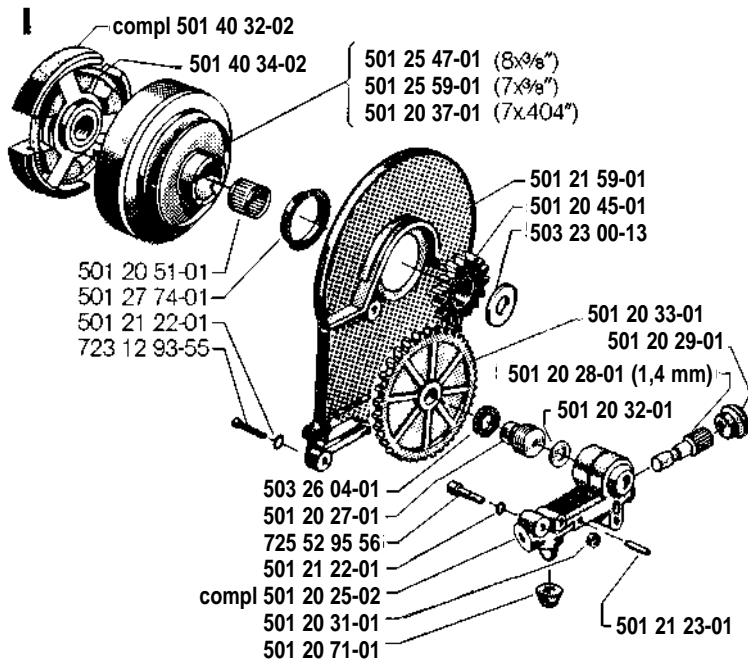
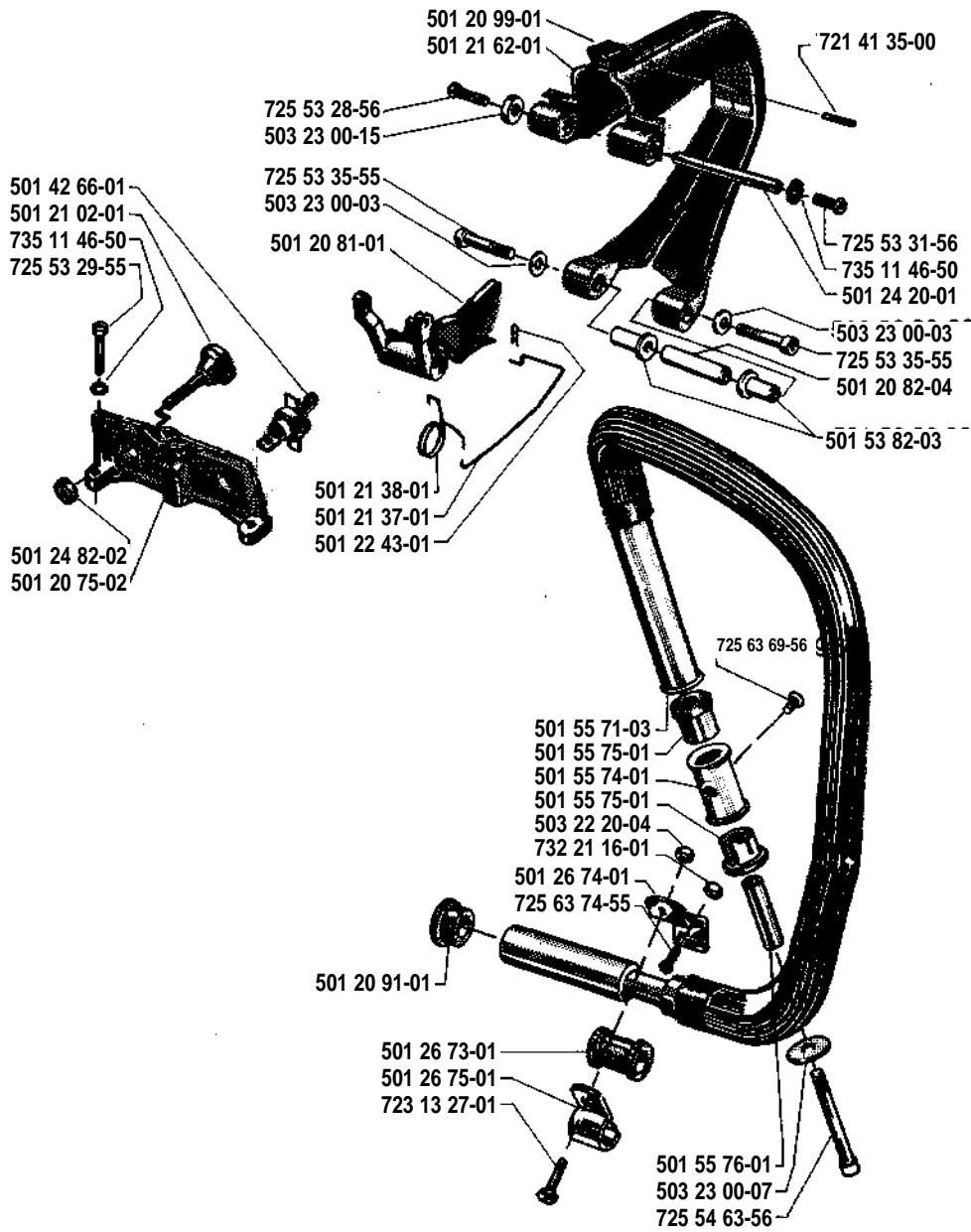


E



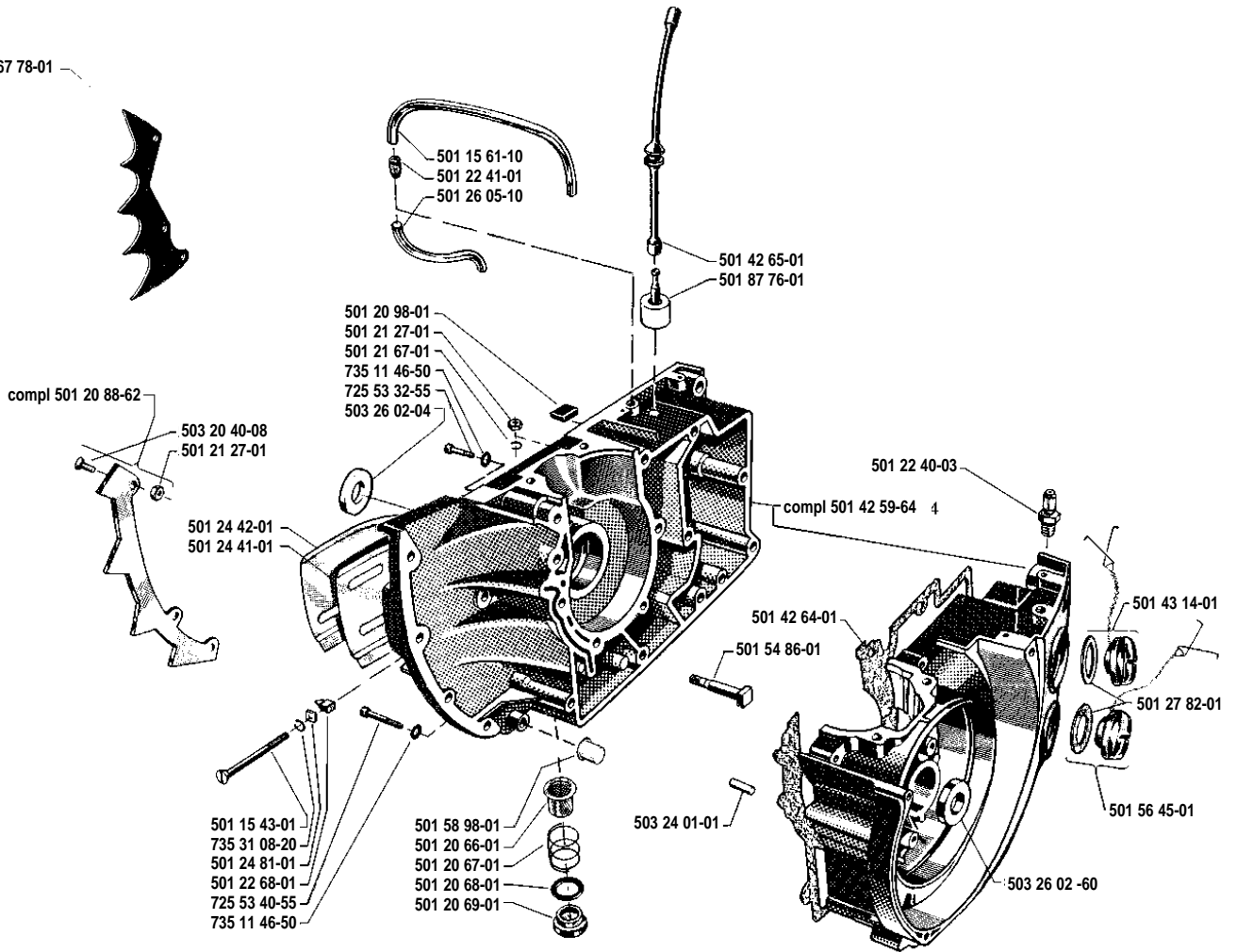
H * compl 501 55 61-01



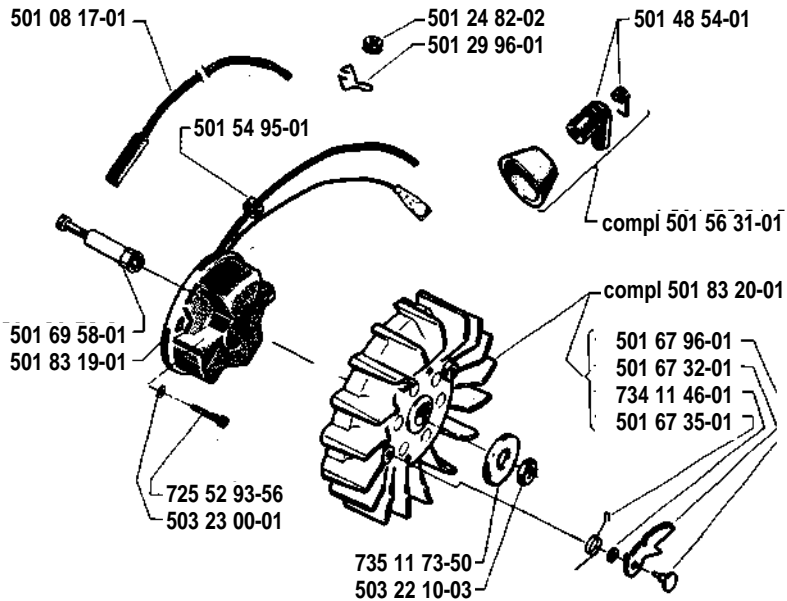


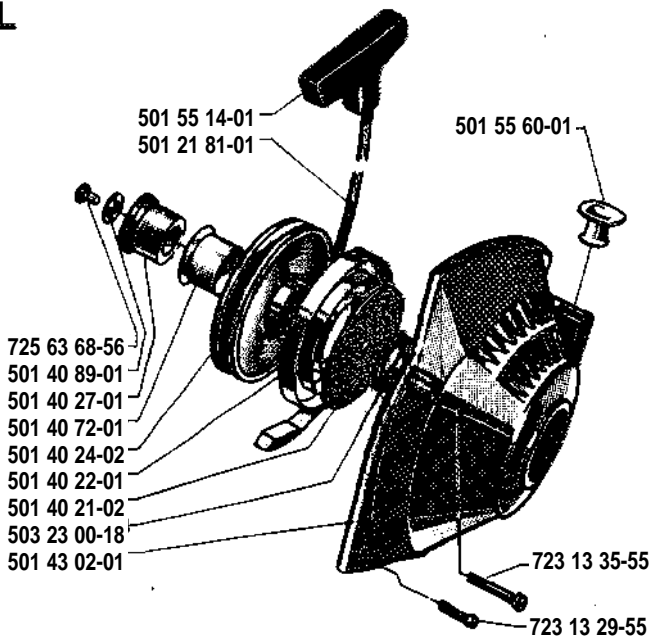
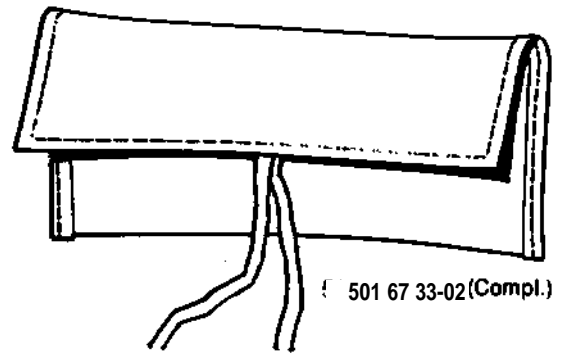
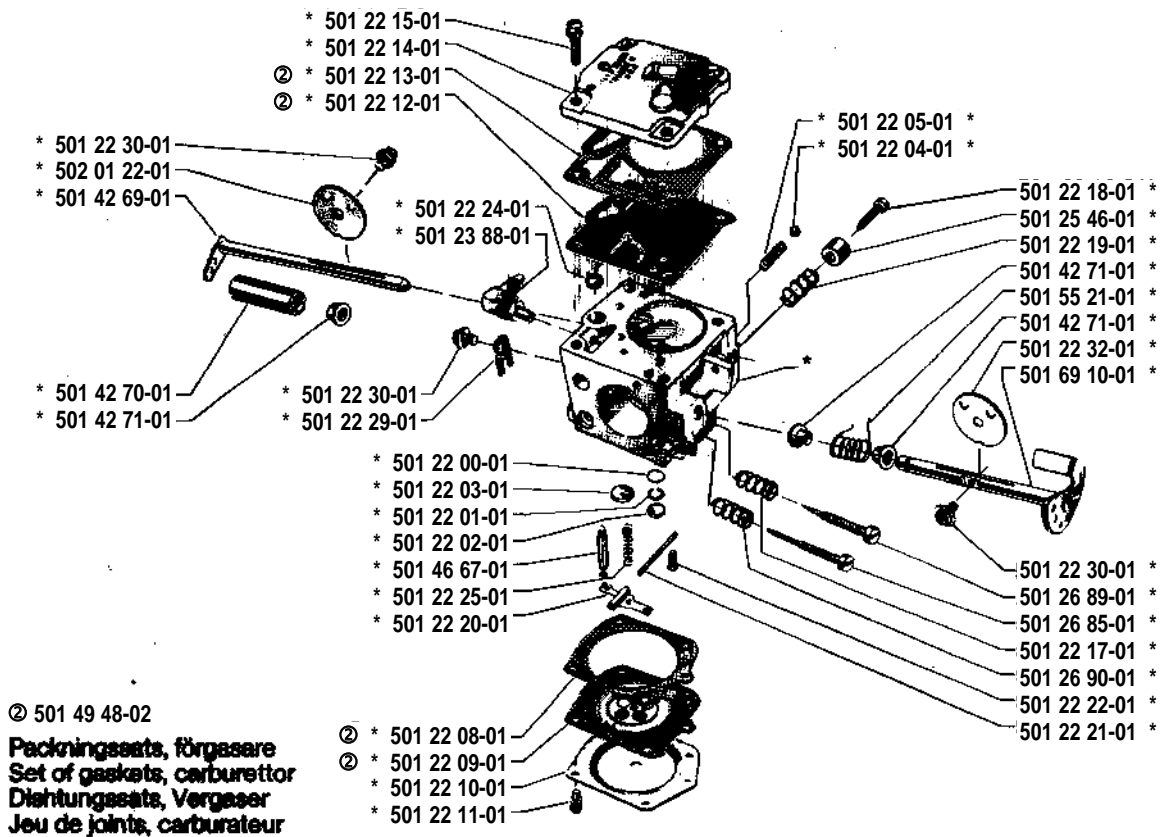
G

501 67 78-01

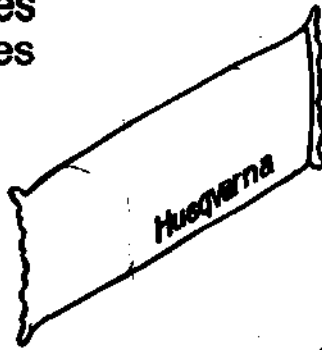


K

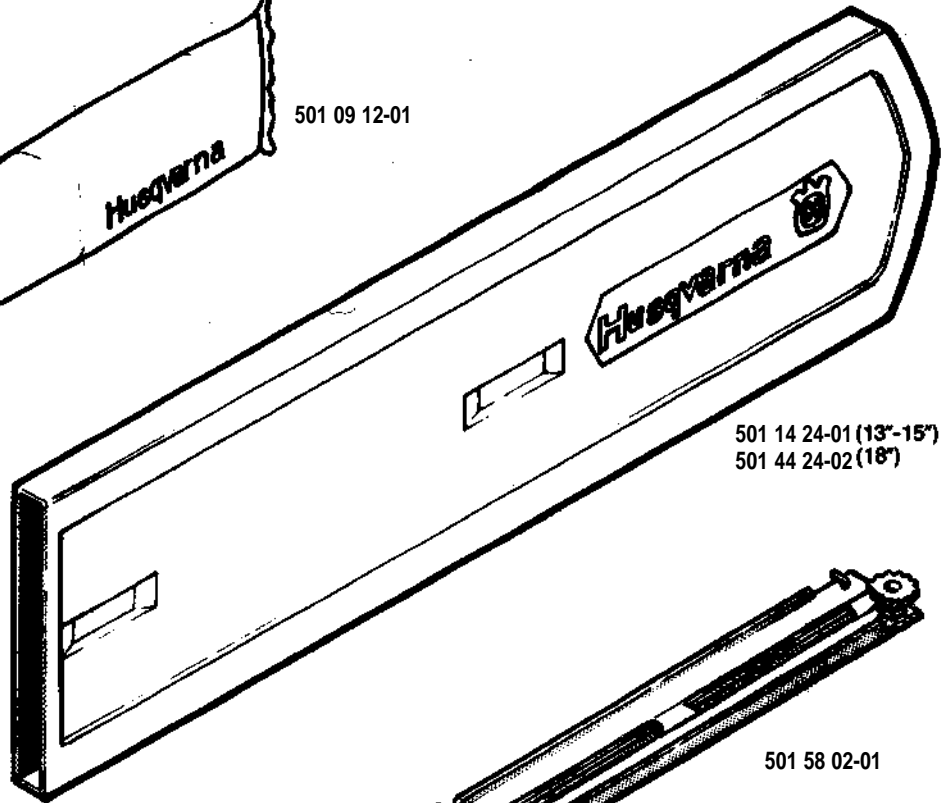


L**N****M** * compl 501 41 75-04**Tillman HS 123 A**

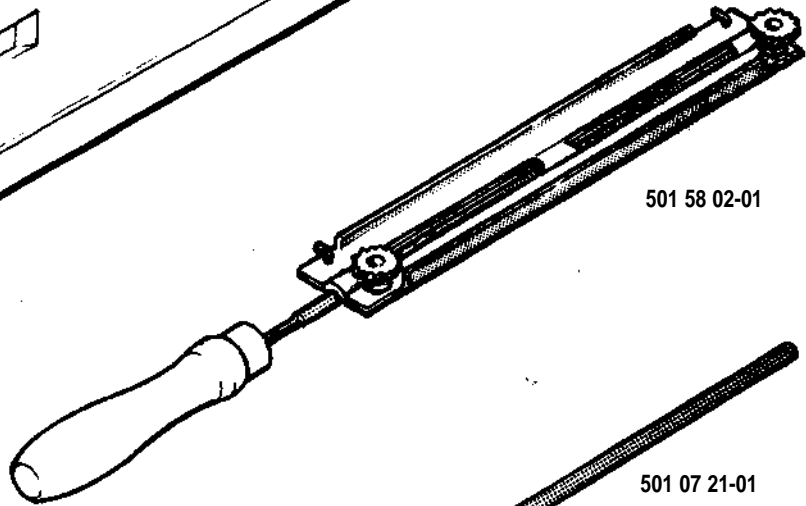
Tillbehör
Accessories
Accessoires
Zubehöre



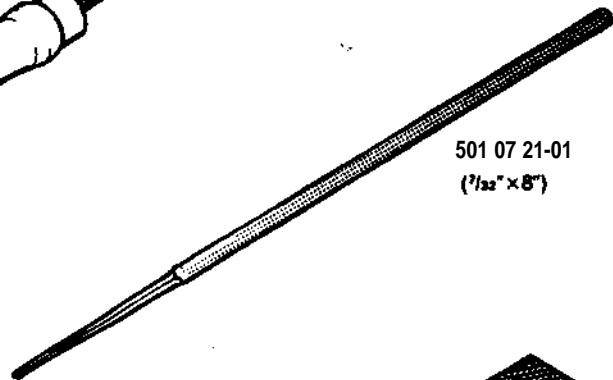
501 09 12-01



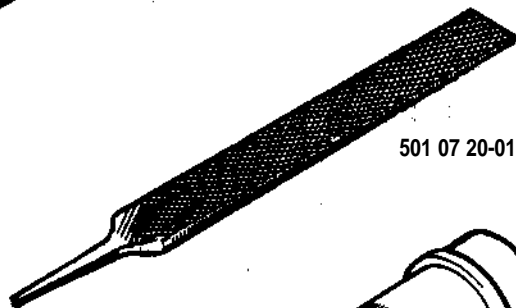
501 14 24-01 (13"-15")
501 44 24-02 (18")



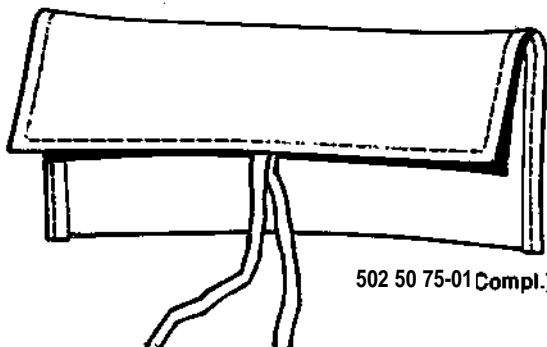
501 58 02-01



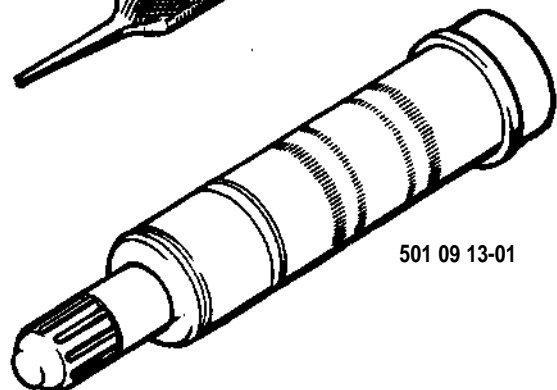
501 07 21-01
($\frac{7}{32}$ " x 8")



501 07 20-01 (6")



502 50 75-01 Compl.)



501 09 13-01