

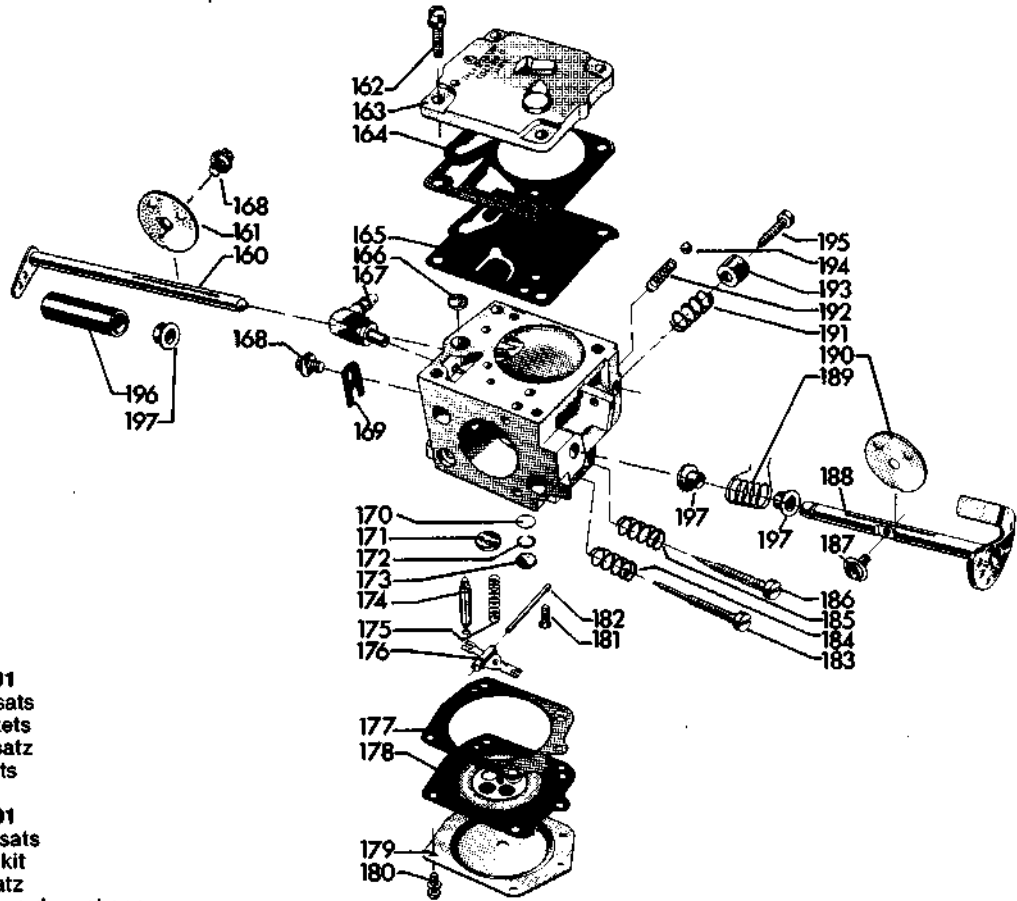
65 L



1. 1978
Reservdelar
Spare parts
Ersatzteile
Pièces de rechange

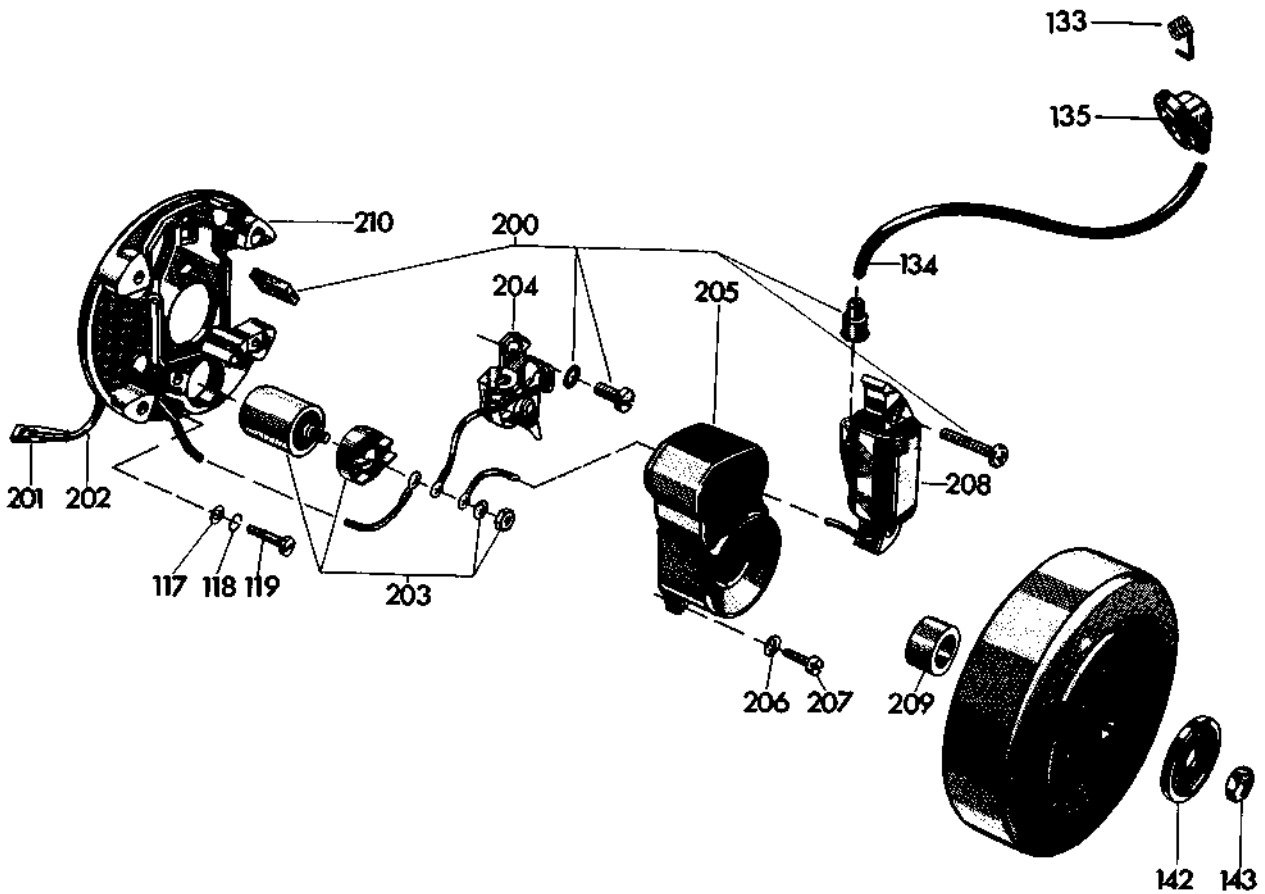
| Bild-nr Fig. No. Abb. Nr Fig. No. | Beställn.-nummer Part number Best. Nr No de commande | Anm. Remarks Anm. Notes | Bild-nr Fig. No Abb. Nr Fig. No. | Beställn.-nummer Part number Best. Nr No de commande | Anm. Remarks Anm. Notes | Bild-nr Fig. No Abb. Nr Fig. No. | Beställn.-nummer Part number Best. Nr No de commande | Anm. Remarks Anm. Notes |
|--|---|----------------------------------|---|---|----------------------------------|---|---|----------------------------------|
| 1 | 254 61 18-14 | | 70 | 501 20 56-04 | Class C | 149 | 501 21 81-01 | |
| 2 | 501 27 50-01 | | | 501 20 56-05 | Class D | 150 | 501 40 22-01 | |
| 3 | 501 20 87-01 | | | 501 20 56-06 | Class E | 151 | 501 40 21-01 | |
| 4 | 501 27 78-01 | Compl. | 71 | 501 15 28-01 | | 152 | 501 43 02-01 | |
| 5 | 501 41 48-01 | ○ | 72 | 501 55 61-02 | | 153 | 501 42 13-01 | |
| | 501 54 86-01 | □ | 73 | 293 11 95-04 | | 154 | 501 40 16-01 | |
| 6 | 501 20 40-01 | 8x3/8" | 74 | 501 25 21-01 | | 155 | 501 40 23-02 | |
| | 501 25 59-01 | 7x3/8" | 75 | 284 71 70-01 | | 156 | 206 23 35-42 | |
| | 501 20 37-01 | 7x.404" | 76 | 202 43 28-59 | | 157 | 206 23 29-42 | |
| 7 | 501 20 51-01 | | 77 | 501 24 97-01 | | 158 | 501 25 79-01 | |
| 8 | 501 27 74-01 | | 78 | 501 21 66-03 | WKA 175 T6 | 159 | 501 54 01-01 | |
| 9 | 501 20 33-01 | | 79 | 501 23 92-01 | | 160 | 501 42 69-01 | |
| 10 | 296 51 69-08 | | 80 | 501 21 93-01 | | 161 | 502 01 22-01 | |
| 11 | 501 20 27-01 | | 81 | 501 21 94-01 | | 162 | 501 22 15-01 | |
| 12 | 501 20 32-01 | | 82 | 112 70 43-02 | | 163 | 501 22 14-01 | |
| 13 | 501 21 58-01 | | 83 | 501 21 04-01 | | 164 | 501 22 13-01 | |
| 14 | 501 20 28-01 | 1,4 mm | 84 | 202 43 35-55 | | 165 | 501 22 12-01 | |
| | 501 20 28-08 | 1,2 mm | 85 | 501 22 39-01 | | 166 | 501 22 24-01 | |
| 15 | 501 20 30-01 | | 86 | 501 20 61-01 | Standard | 167 | 501 23 88-01 | |
| 16 | 206 22 93-52 | | | 501 20 61-02 | Export | 168 | 501 22 30-01 | |
| 17 | 501 21 22-01 | | 87 | 501 41 75-02 | | 169 | 501 22 29-01 | |
| 18 | 202 42 95-42 | | 88 | 501 25 10-01 | | 170 | 501 22 00-01 | |
| 19 | 501 20 25-01 | Compl. | 89 | 204 13 07-09 | | 171 | 501 22 03-01 | |
| 20 | 501 20 71-01 | | 90 | 501 25 09-01 | | 172 | 501 22 01-01 | |
| 21 | 501 20 31-01 | | 91 | 501 25 11-01 | | 173 | 501 22 02-01 | |
| 22 | 501 21 23-01 | | 92 | 501 25 08-01 | | 174 | 501 22 23-01 | |
| 23 | 501 15 43-01 | | 93 | 202 43 28-59 | | 175 | 501 22 25-01 | |
| 24 | 289 52 05-01 | | 94 | 501 41 18-01 | | 176 | 501 22 20-01 | |
| 25 | 501 24 81-01 | | 95 | 501 21 62-01 | | 177 | 501 22 08-01 | |
| 26 | 501 22 68-01 | | 96 | 202 43 31-59 | | 178 | 501 22 09-01 | |
| 27 | 202 43 40-55 | | 97 | 280 13 18-41 | | 179 | 501 22 10-01 | |
| 28 | 288 81 70-01 | | 98 | 501 20 81-01 | | 180 | 501 22 11-01 | |
| 29 | 208 33 28-11 | | 99 | 501 21 38-01 | | 181 | 501 22 22-01 | |
| 30 | 501 20 88-01 | | 100 | 501 20 91-01 | | 182 | 501 22 21-01 | |
| 31 | 258 11 31-52 | | 101 | 501 21 37-01 | | 183 | 501 26 85-01 | |
| 32 | 501 20 66-01 | | 102 | 501 56 45-01 | | 184 | 501 26 90-01 | |
| 33 | 501 20 67-01 | | 103 | 501 22 40-03 | | 185 | 501 22 17-01 | |
| 34 | 501 20 68-01 | /m | 106 | 299 52 45-03 | | 186 | 501 26 89-01 | |
| 35 | 501 20 69-01 | | 109 | 290 12 30-01 | | 187 | 501 22 30-01 | |
| 36 | 501 44 92-01 | | 110 | 501 27 82-01 | | 188 | 501 42 73-01 | |
| 37 | 501 41 77-01 | | 111 | 501 43 14-01 | | 189 | 501 55 21-01 | |
| 38 | 501 27 92-01 | | 112 | 501 54 75-01 | Compl. | 190 | 501 22 32-01 | |
| 39 | 200 63 82-42 | | 113 | 501 42 64-01 | | 191 | 501 22 19-01 | |
| 40 | 501 25 00-01 | | 114 | 296 52 59-16 | | 192 | 501 22 05-01 | |
| 41 | 501 24 82-01 | | 115 | 501 24 09-01 | | 193 | 501 25 46-01 | |
| 42 | 501 15 61-10 | /m | 117 | 281 61 65-01 | | 194 | 501 22 04-01 | |
| 43 | 501 22 41-01 | | 118 | 280 42 81-01 | | 195 | 501 22 18-01 | |
| 44 | 501 26 05-10 | /m | 119 | 202 42 93-59 | | 196 | 501 42 70-01 | |
| 45 | 501 20 89-01 | | 120 | 501 42 46-01 | | 197 | 501 42 71-01 | |
| 46 | 501 21 59-01 | | 22+141 | 501 43 06-02 | | 200 | 501 43 67-01 | |
| 47 | 501 20 45-01 | | 124 | 501 55 71-01 | | 201 | 277 20 21-01 | |
| 48 | 299 51 55-01 | | 125 | 501 55 75-01 | | 202 | 501 43 65-01 | |
| 49 | 296 52 59-16 | | 126 | 299 89 37-45 | | 203 | 501 43 63-01 | |
| 50 | 202 43 32-55 | | 127 | 501 55 74-01 | | 204 | 501 43 60-01 | |
| 51 | 501 21 67-01 | | 128 | 501 26 74-01 | | 205 | 501 43 61-01 | |
| 52 | 501 21 27-01 | | 129 | 299 89 48-45 | | 206 | 288 81 40-12 | |
| 53 | 501 20 98-01 | | 130 | 501 26 73-01 | | 207 | 206 22 22-46 | |
| 54 | 288 81 70-01 | | 131 | 501 26 75-01 | | 208 | 501 43 59-01 | |
| 55 | 202 43 29-55 | | 132 | 206 23 27-11 | | 209 | 501 25 24-01 | |
| 56 | 501 22 43-01 | | 133 | 501 54 77-01 | | 210 | 501 43 58-01 | |
| 57 | 501 21 02-01 | | 134 | 161 41 22-01 | /m | 9-225 | 501 26 76-01 | |
| 58 | 501 42 66-01 | | 135 | 501 54 76-01 | | 220 | 205 62 58-56 | |
| 59 | 501 58 98-01 | | 136 | 202 44 63-45 | | 221 | 206 23 70-12 | |
| 60 | 204 12 60-52 | | 137 | 501 26 49-01 | | 222 | 501 26 83-01 | |
| 61 | 501 27 13-01 | | 138 | 501 43 57-01 | Compl. | 223 | 501 28 84-01 | |
| 62 | 501 21 60-01 | | 139 | 501 44 20-01 | | 224 | 287 00 49-01 | |
| 63 | 202 43 35-55 | | 140 | 501 20 82-01 | | 225 | 258 01 42-01 | |
| 64+70 | 501 41 78-01 | | 141 | 501 54 00-01 | | 226 | 501 55 76-01 | |
| 65 | 501 42 65-01 | | 142 | 501 42 14-01 | | 227 | 280 14 93-11 | |
| 66 | 501 51 83-01 | | 143 | 250 12 69-01 | | 228 | 258 11 46-01 | |
| 67 | 501 28 93-01 | | 144 | 299 89 45-49 | | 230 | 501 24 41-01 | |
| 68 | 501 20 59-02 | | 145 | 501 40 89-01 | | 231 | 501 24 42-01 | |
| 69 | 501 05 64-01 | | 146 | 501 40 27-01 | | 232 | 501 24 71-01 | |
| 70 | 501 20 56-02 | Class A | 147 | 501 40 72-01 | | | | |
| | 501 20 56-03 | Class B | 146 | 501 40 24-01 | | | | |

50 14 175-02 Compl.



50 12 234-01
Packningssats
Set of gaskets
Dichtungssatz
Jeu de joints

50 15 467-01
Reservdelssats
Spare part kit
Ersatzteilsatz
Jeu de pièces de rechange

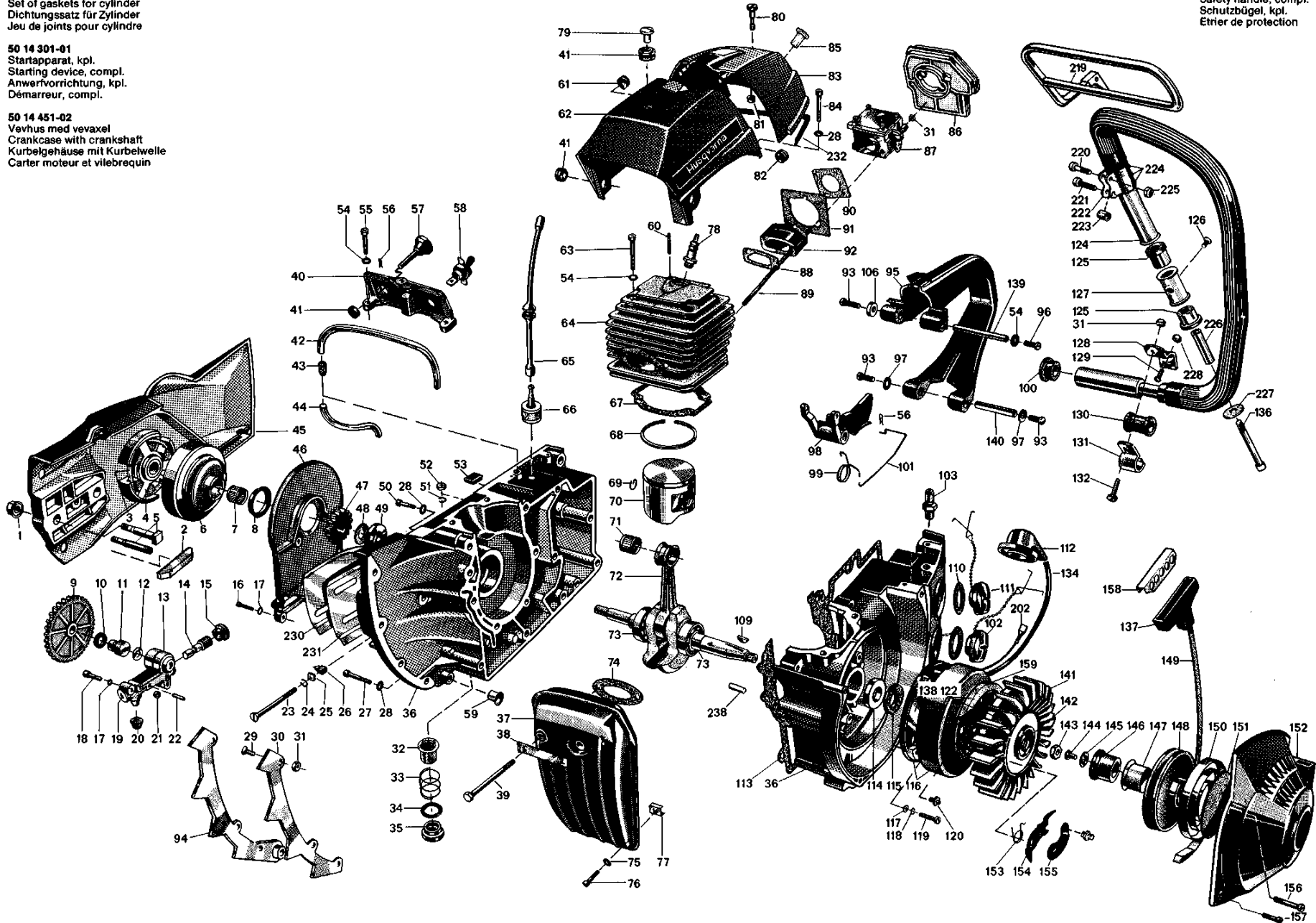


50 12 238-01
 Packningsatts för cylinder
 Set of gaskets for cylinder
 Dichtungssatz für Zylinder
 Jeu de joints pour cylindre

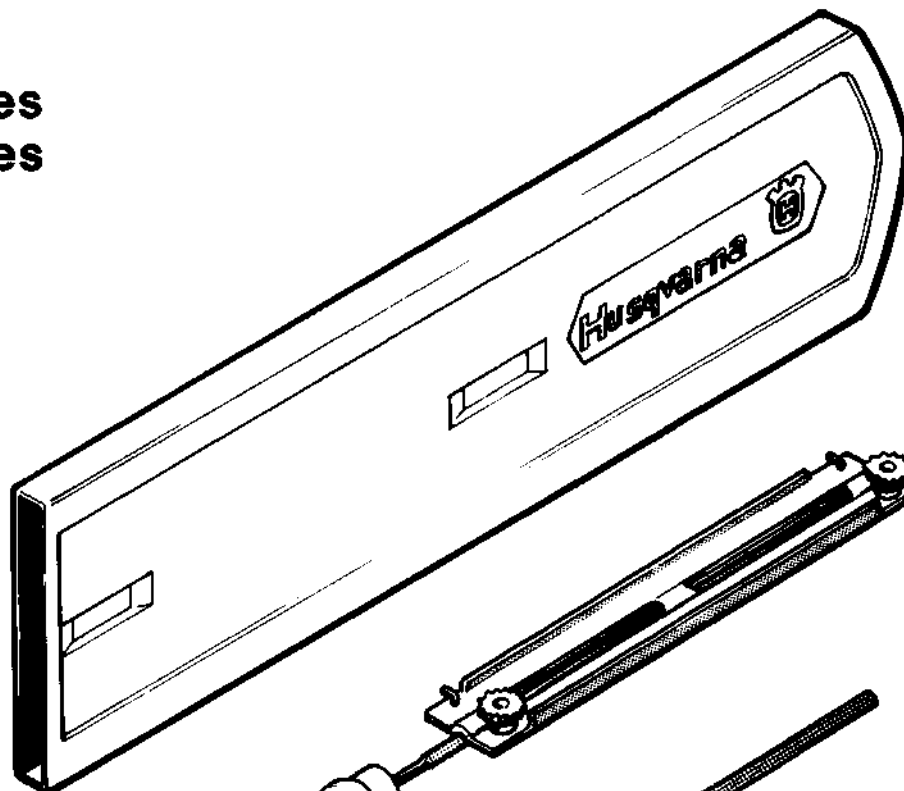
50 14 301-01
 Startapparat, kompl.
 Starting device, compl.
 Anwerfvorrichtung, kompl.
 Démarreur, compl.

50 14 451-02
 Vevhus med vevaxel
 Crankcase with crankshaft
 Kurbelgehäuse mit Kurbelwelle
 Carter moteur et vilebrequin

50 12 676-01
 Kastskydd, kompl.
 Safety handle, compl.
 Schutzbügel, kompl.
 Etrier de protection

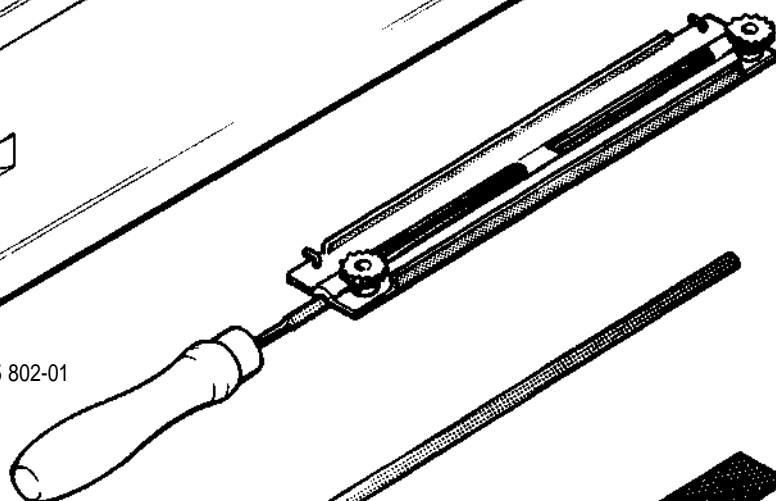


Tillbehör
Accessories
Accessoires
Zubehöre

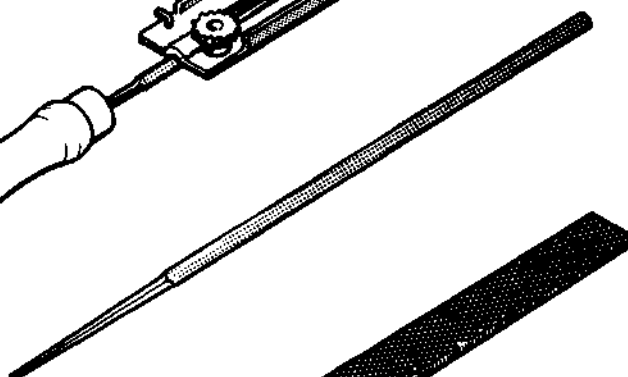


50 14 424-01 (13"-15")
50 14 424-02 (18")

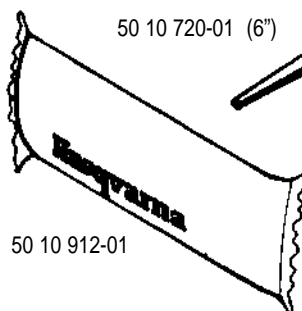
50 15 802-01



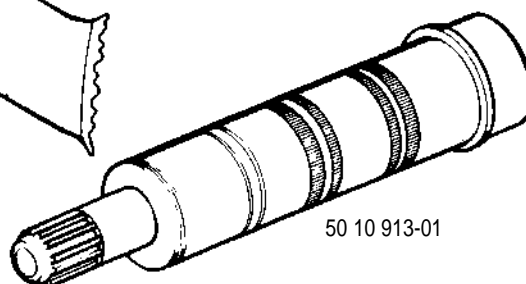
50 10 721-01
(7/32" x 8")



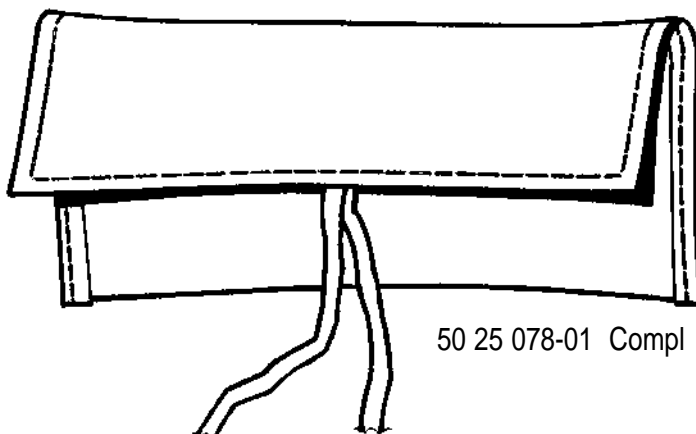
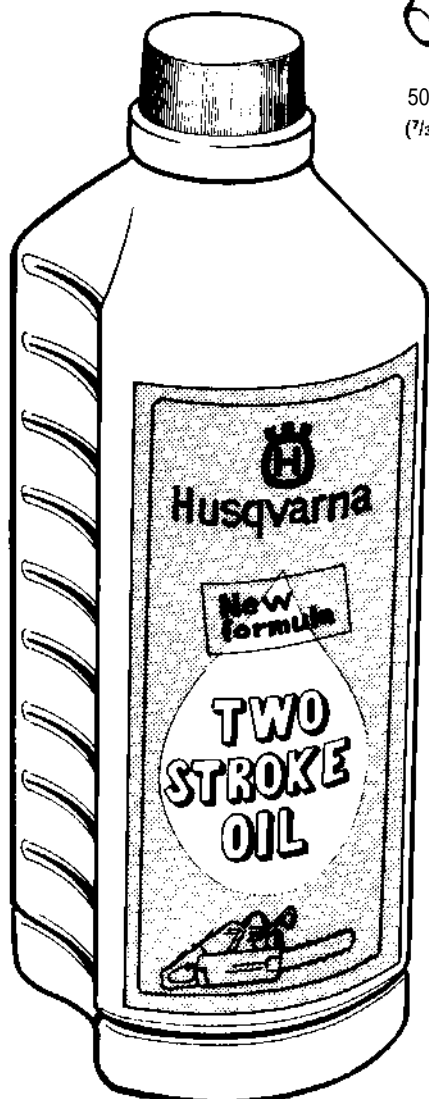
50 10 720-01 (6")



50 10 912-01



50 10 913-01



50 25 078-01 Compl