

455 Rancher

Spare parts

Ersatzteile

Pièces détachées

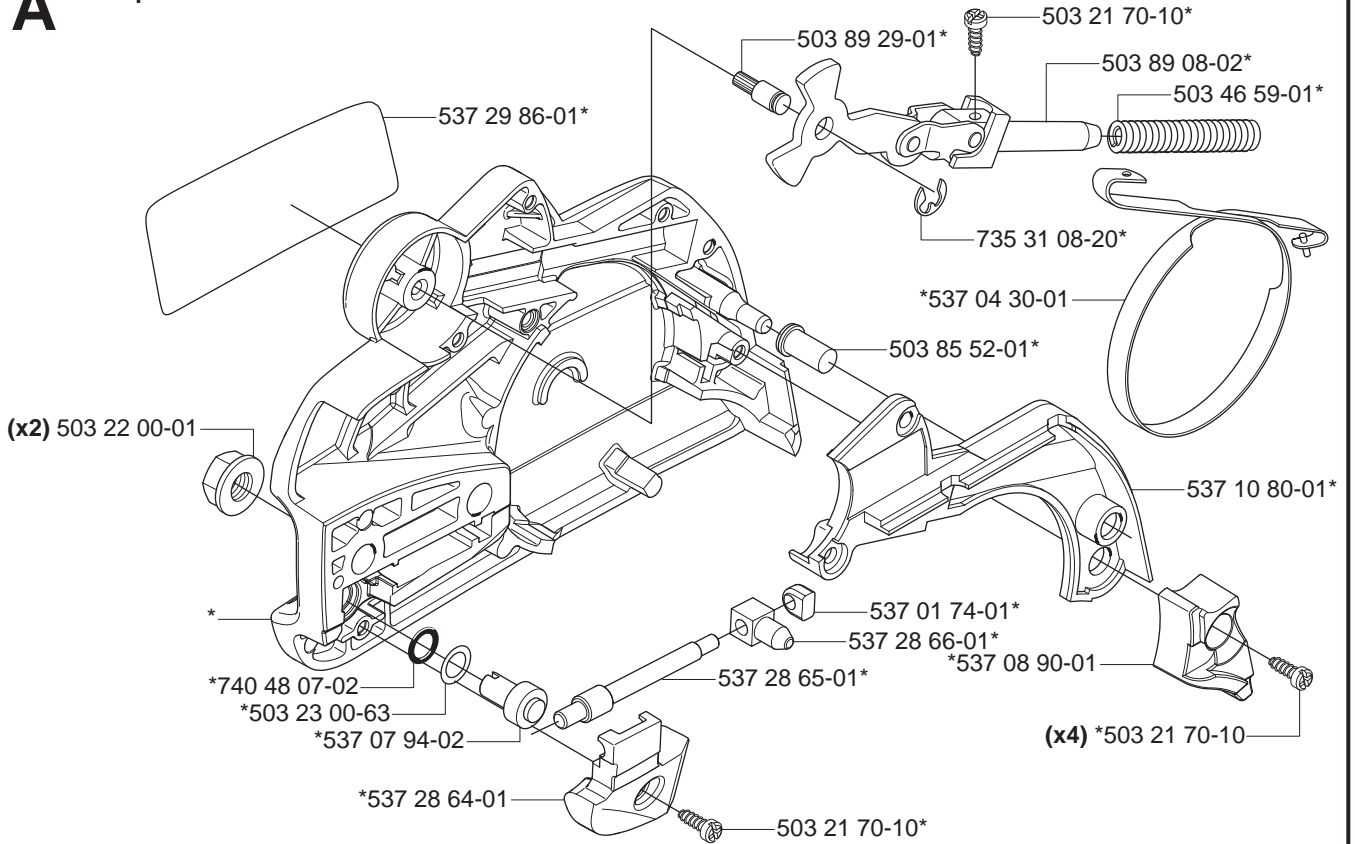
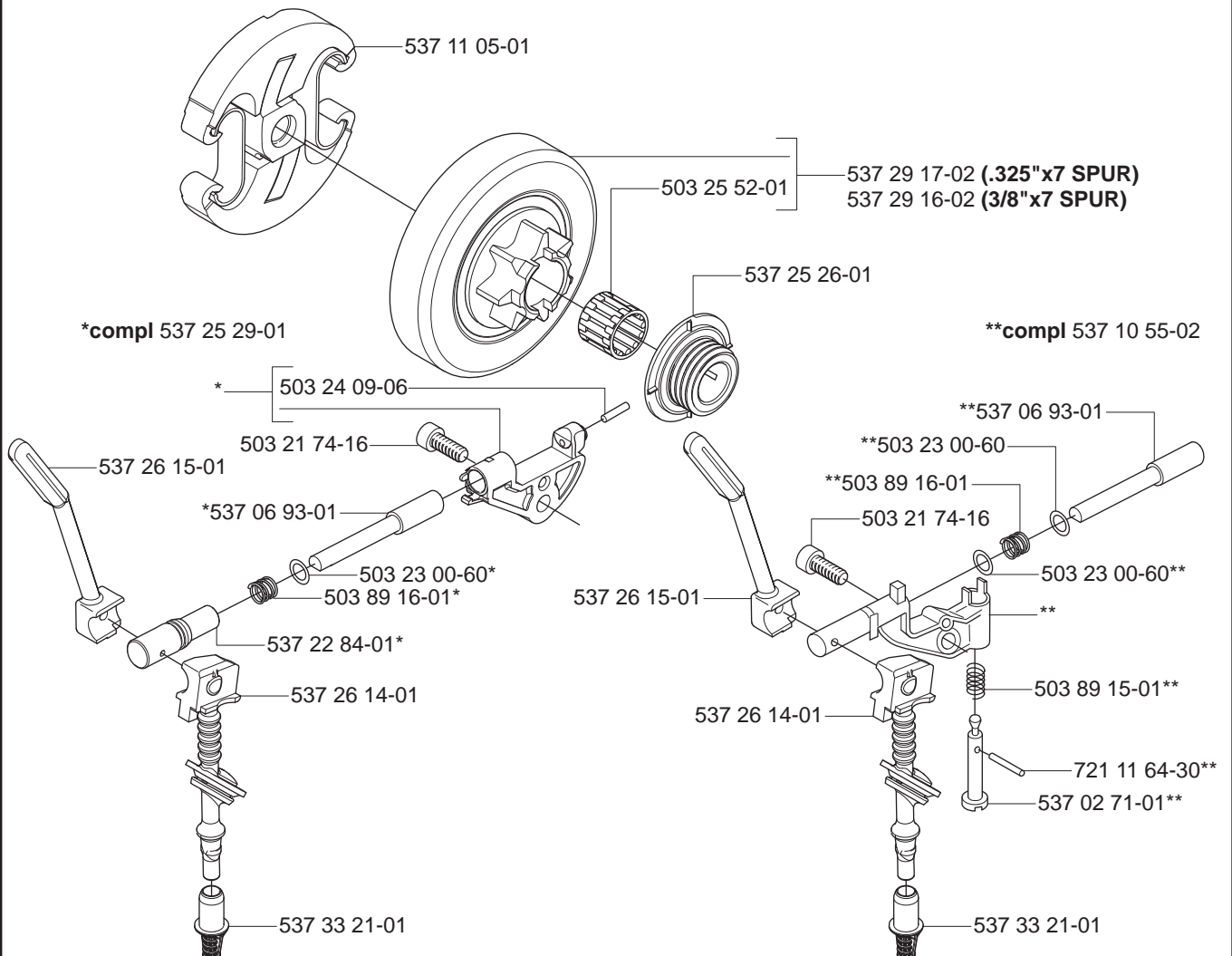
Reserve onderdelen

Repuestos

Reservdelar

PART NUMBER	SQUARE NOTE	PART NUMBER	SQUARE NOTE	PART NUMBER	SQUARE NOTE	PART NUMBER	SQUARE NOTE
501 46 69-01	N	503 79 05-02	E	537 24 08-01	L	537 40 71-01	N
501 46 84-01	N	503 80 04-01	N	537 24 14-01	G	537 40 72-01	N
501 46 85-01	N	503 85 41-01	M	537 24 15-01	G	537 40 73-01	N
501 46 87-01	N	503 85 52-01	A	537 24 17-01	D	537 40 74-01	N
501 46 87-01	N	503 86 80-01	N	537 24 29-01	M	537 40 75-01	N
501 48 54-02	E	503 86 92-01	M	537 24 56-01	E	537 40 76-01	N
501 66 61-01	N	503 86 92-01	M	537 24 57-01	H	537 40 77-01	N
501 69 17-01	P	503 86 93-01	K	537 24 57-01	K	537 40 78-01	N
501 76 83-25	G	503 86 97-01	G	537 24 58-01	H	537 40 79-01	N
502 21 36-01	N	503 89 08-02	A	537 24 58-01	K	537 40 80-01	N
503 20 02-16	G	503 89 15-01	B	537 25 15-01	F	537 40 81-01	N
503 20 05-27	H	503 89 16-01	B	537 25 23-01	F	537 40 82-01	N
503 20 34-30	C	503 89 16-01	B	537 25 26-01	B	537 40 83-01	N
503 21 02-16	M	503 89 24-01	K	537 25 29-01	B	537 40 84-01	N
503 21 02-16	M	503 89 29-01	A	537 25 55-01	G	537 40 85-01	N
503 21 29-10	D	503 91 06-71	P	537 25 56-01	G	537 40 86-01	N
503 21 53-20	E	503 91 39-01	N	537 25 57-01	G	537 40 87-01	N
503 21 55-25	G	503 91 40-01	N	537 25 57-02	G	537 40 88-01	N
503 21 68-20	K	503 91 45-01	N	537 25 57-03	G	537 40 89-01	N
503 21 70-10	A	503 91 54-01	N	537 26 04-01	K	537 40 90-01	N
503 21 70-10	A	503 92 31-01	M	537 26 05-01	M	537 40 91-01	N
503 21 70-10	A	503 93 51-01	N	537 26 08-01	G	537 40 92-01	N
503 21 70-10	K	503 93 66-01	L	537 26 09-01	D	537 40 93-01	N
503 21 70-16	Q	503 97 38-01	K	537 26 14-01	B	721 11 64-30	B
503 21 73-21	D	503 98 74-01	C	537 26 14-01	B	725 53 68-55	F
503 21 74-12	L	503 99 86-01	M	537 26 15-01	B	735 31 08-20	A
503 21 74-16	B	504 13 08-08	N	537 26 15-01	B	737 43 12-00	H
503 21 74-16	B	504 13 09-06	N	537 26 24-01	M	740 48 07-02	A
503 21 74-50	G	504 21 00-49	N	537 27 13-01	K		
503 21 77-16	D	504 21 00-50	N	537 27 27-01	E		
503 21 88-25	M	504 35 09-06	N	537 27 80-01	L		
503 21 88-25	M	505 30 51-25	D	537 28 20-02	K		
503 21 88-25	M	505 31 67-17	N	537 28 23-01	K		
503 21 99-02	H	505 31 67-36	N	537 28 32-01	D		
503 21 99-02	H	505 31 67-36	N	537 28 41-01	D		
503 22 00-01	A	505 31 67-54	N	537 28 42-01	D		
503 22 04-01	E	505 52 01-25	N	537 28 43-01	K		
503 22 69-02	L	505 52 01-27	N	537 28 63-01	A		
503 23 00-60	B	530 02 61-19	K	537 28 64-01	A		
503 23 00-60	B	530 03 50-15	N	537 28 65-01	A		
503 23 00-63	A	537 00 34-01	N	537 28 66-01	A		
503 23 51-11	H	537 00 34-01	N	537 28 76-01	F		
503 24 09-06	B	537 01 74-01	A	537 28 77-01	F		
503 24 09-06	H	537 02 71-01	B	537 29 16-02	B		
503 24 09-06	J	537 04 24-02	L	537 29 17-02	B		
503 25 16-01	J	537 04 24-08	L	537 29 27-01	E		
503 25 16-01	J	537 04 30-01	A	537 29 30-02	H		
503 25 52-01	B	537 06 93-01	B	537 29 65-01	K		
503 26 19-01	J	537 06 93-01	B	537 29 86-01	A		
503 26 19-01	J	537 07 94-02	A	537 30 46-01	M		
503 28 21-01	G	537 08 00-01	B	537 30 49-01	G		
503 28 21-01	N	537 08 90-01	A	537 30 62-01	N		
503 28 90-50	H	537 09 25-01	D	537 30 89-01	C		
503 40 59-01	Q	537 10 55-02	B	537 31 05-01	H		
503 42 43-01	H	537 10 80-01	A	537 31 40-01	J		
503 43 65-01	K	537 11 05-01	B	537 31 79-01	L		
503 44 32-01	L	537 16 21-05	E	537 32 04-02	H		
503 46 59-01	A	537 21 50-01	L	537 32 10-01	G		
503 56 34-01	N	537 21 50-01	L	537 32 30-01	G		
503 56 42-01	N	537 21 51-02	L	537 32 33-01	D		
503 57 42-01	N	537 21 51-02	L	537 32 33-01	D		
503 57 43-01	N	537 21 52-02	L	537 33 21-01	B		
503 57 76-02	L	537 21 52-02	L	537 33 21-01	B		
503 57 89-01	L	537 22 78-01	K	537 35 60-01	Q		
503 57 89-01	L	537 22 84-01	B	537 40 35-01	K		
503 58 42-01	N	537 23 05-01	M	537 40 66-01	N		
503 58 46-01	N	537 23 06-01	M	537 40 67-01	N		
503 73 58-01	L	537 23 07-01	M	537 40 68-01	N		
503 73 58-01	L	537 23 25-01	D	537 40 69-01	N		
503 78 32-01	E	537 23 61-01	G	537 40 70-01	N		

Set of gaskets, Dichtungssatz,
Jeu de joints, Juego de juntas,
Packningssats

A***compl 537 28 63-01****B**

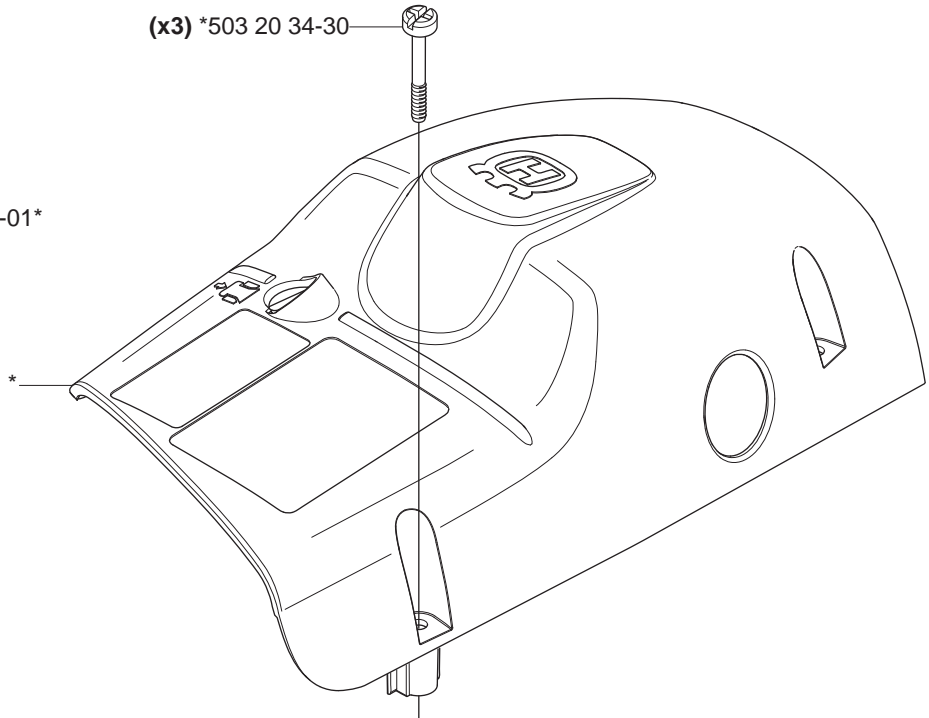
C

*compl 537 30 89-01

(x3) *503 20 34-30

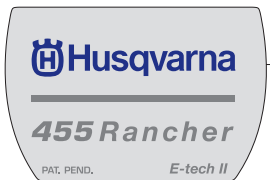
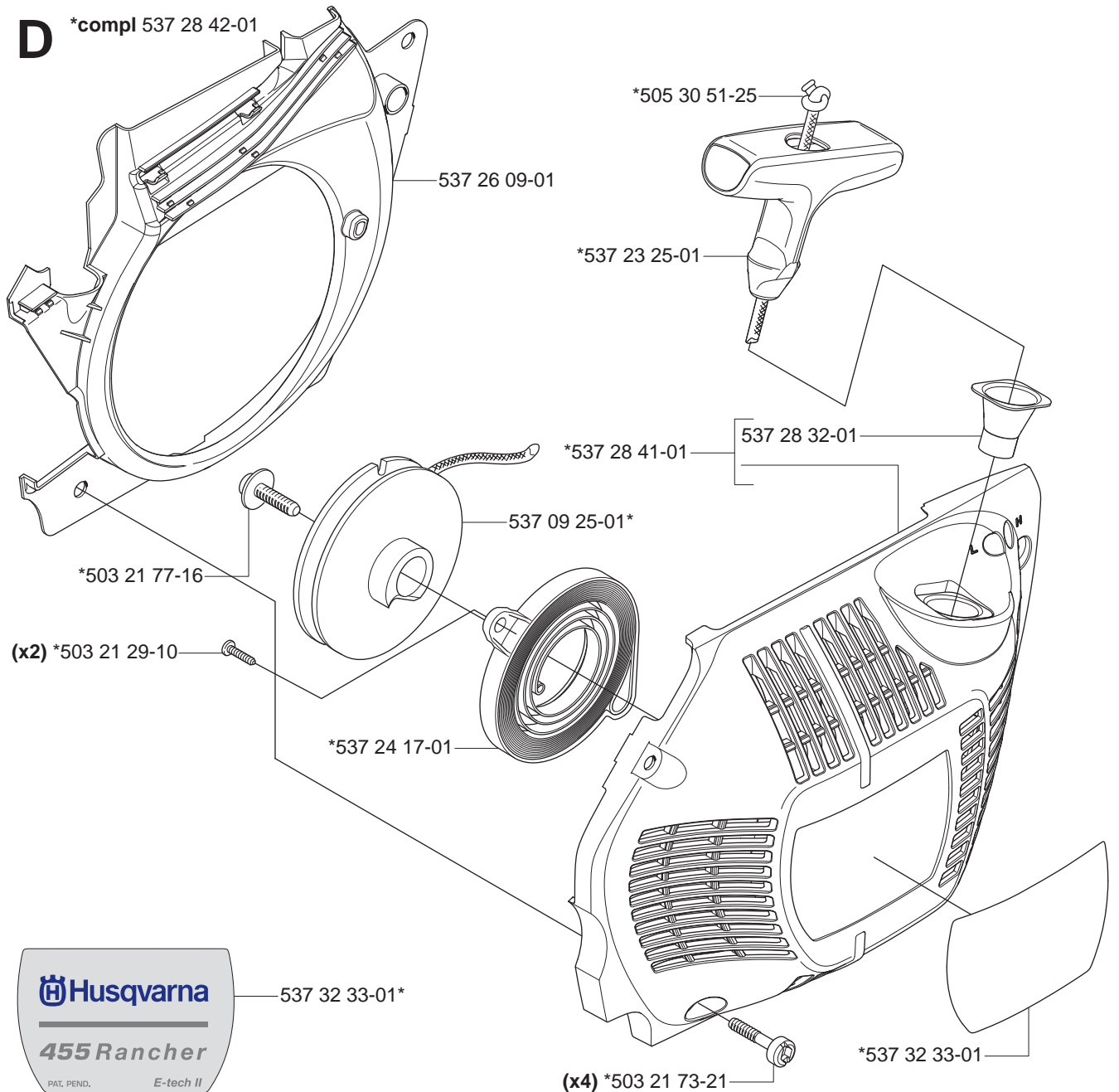


503 98 74-01*

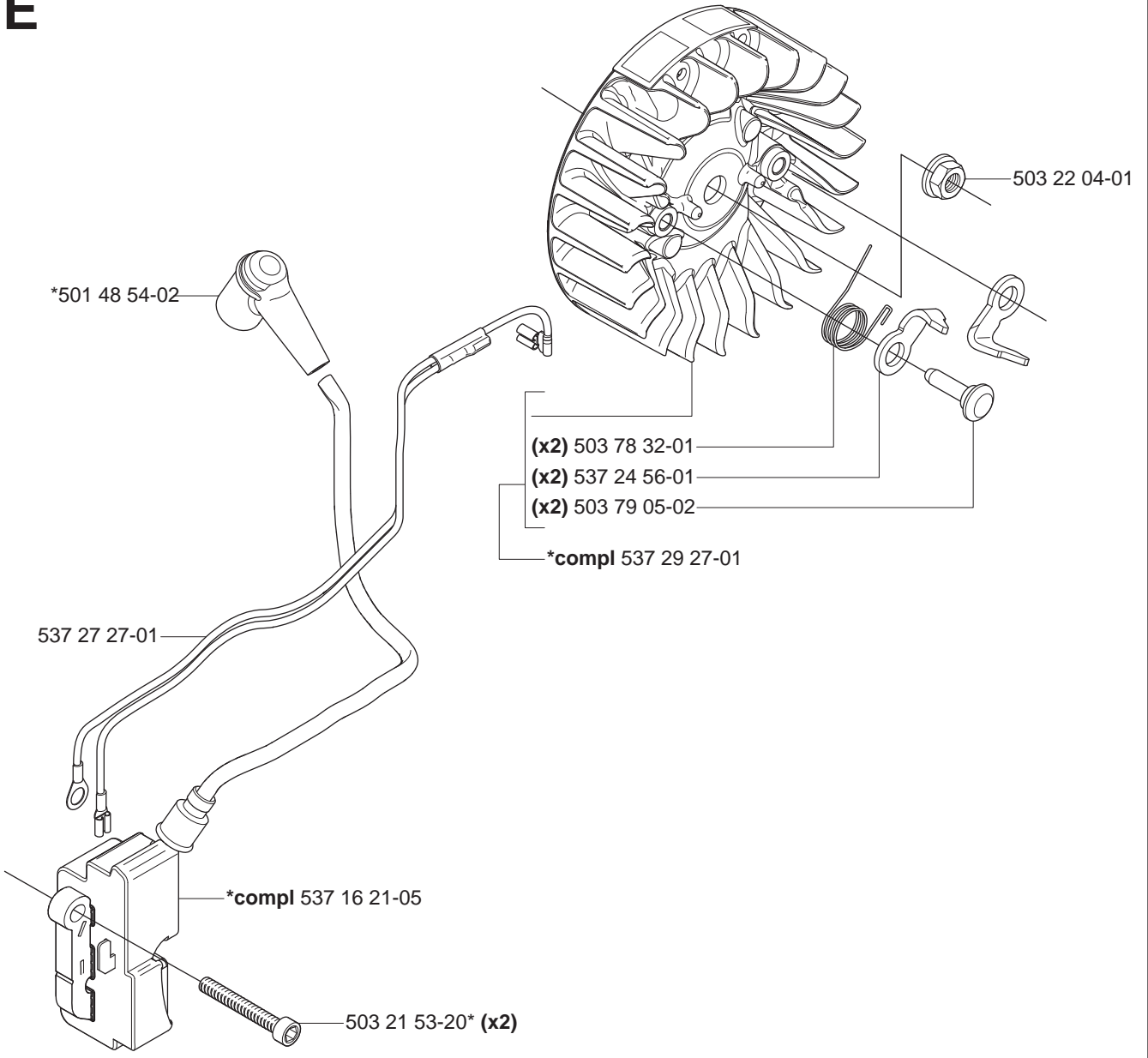


D

*compl 537 28 42-01

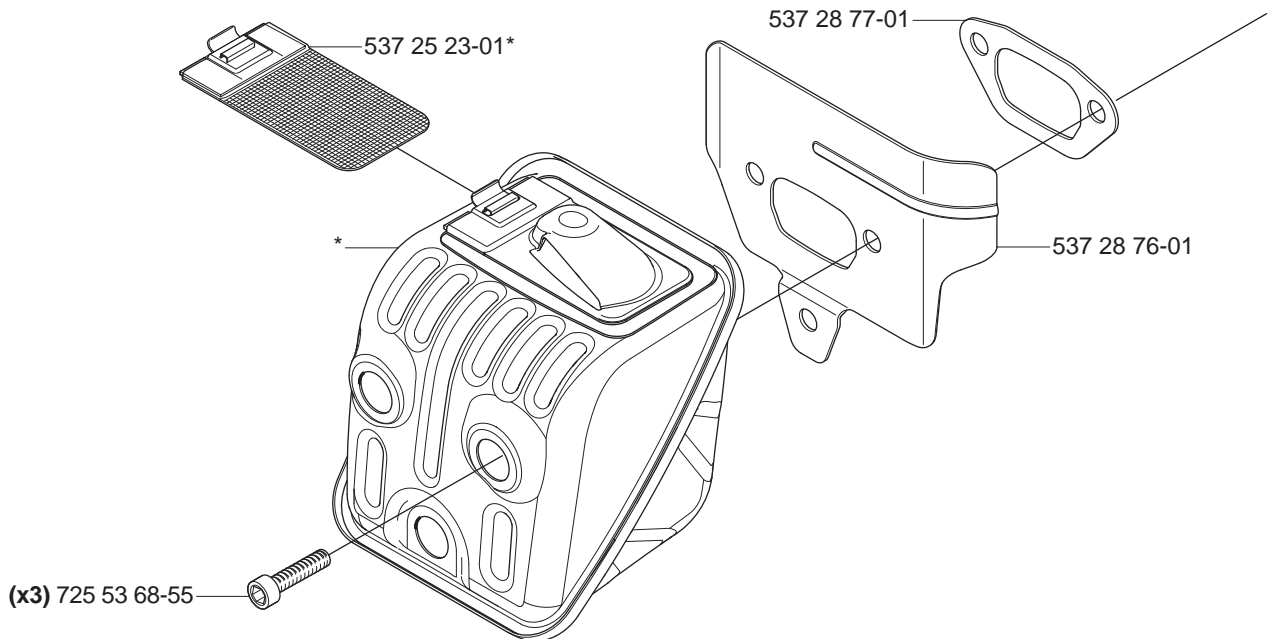


E

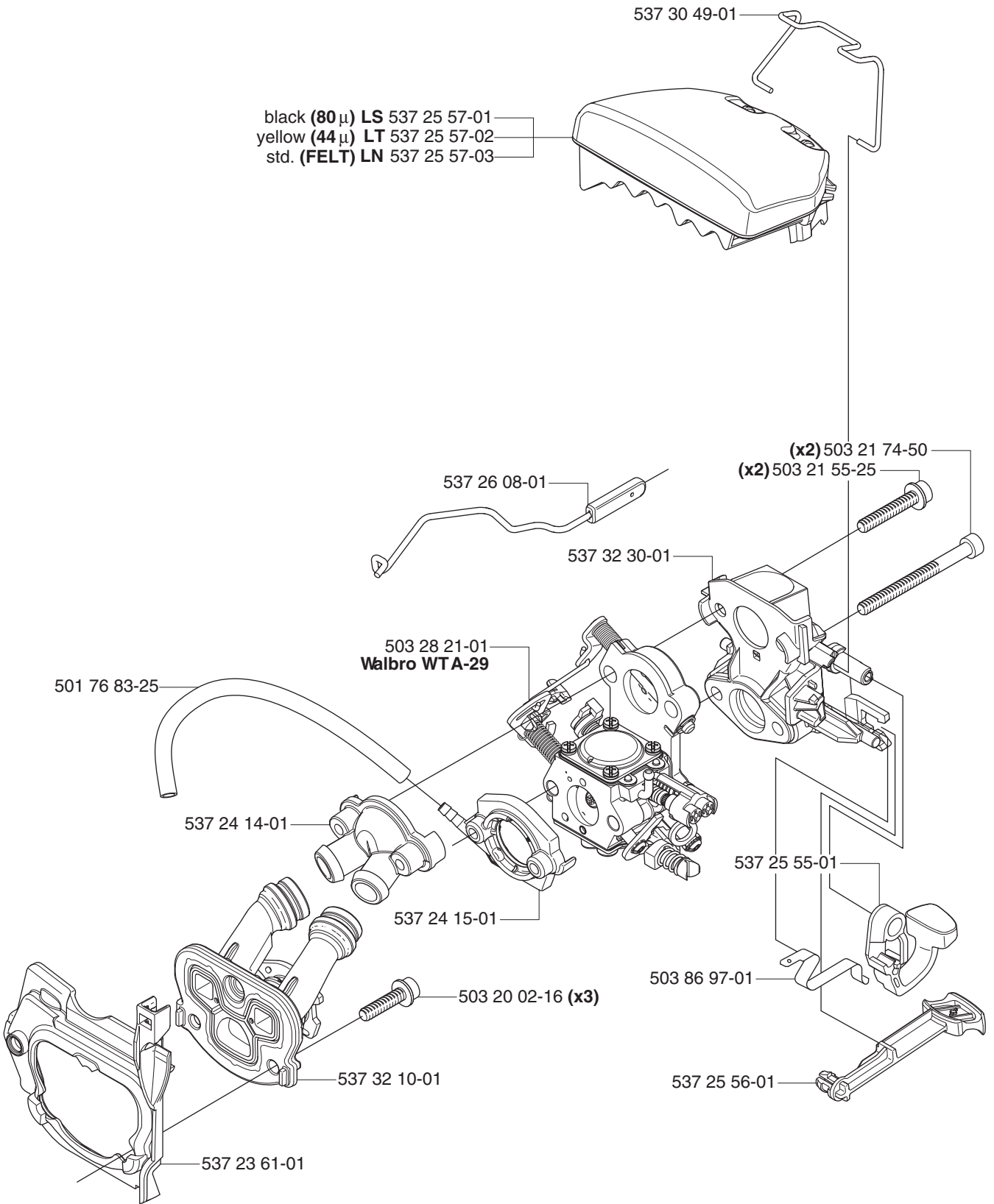


F

*compl 537 25 15-01

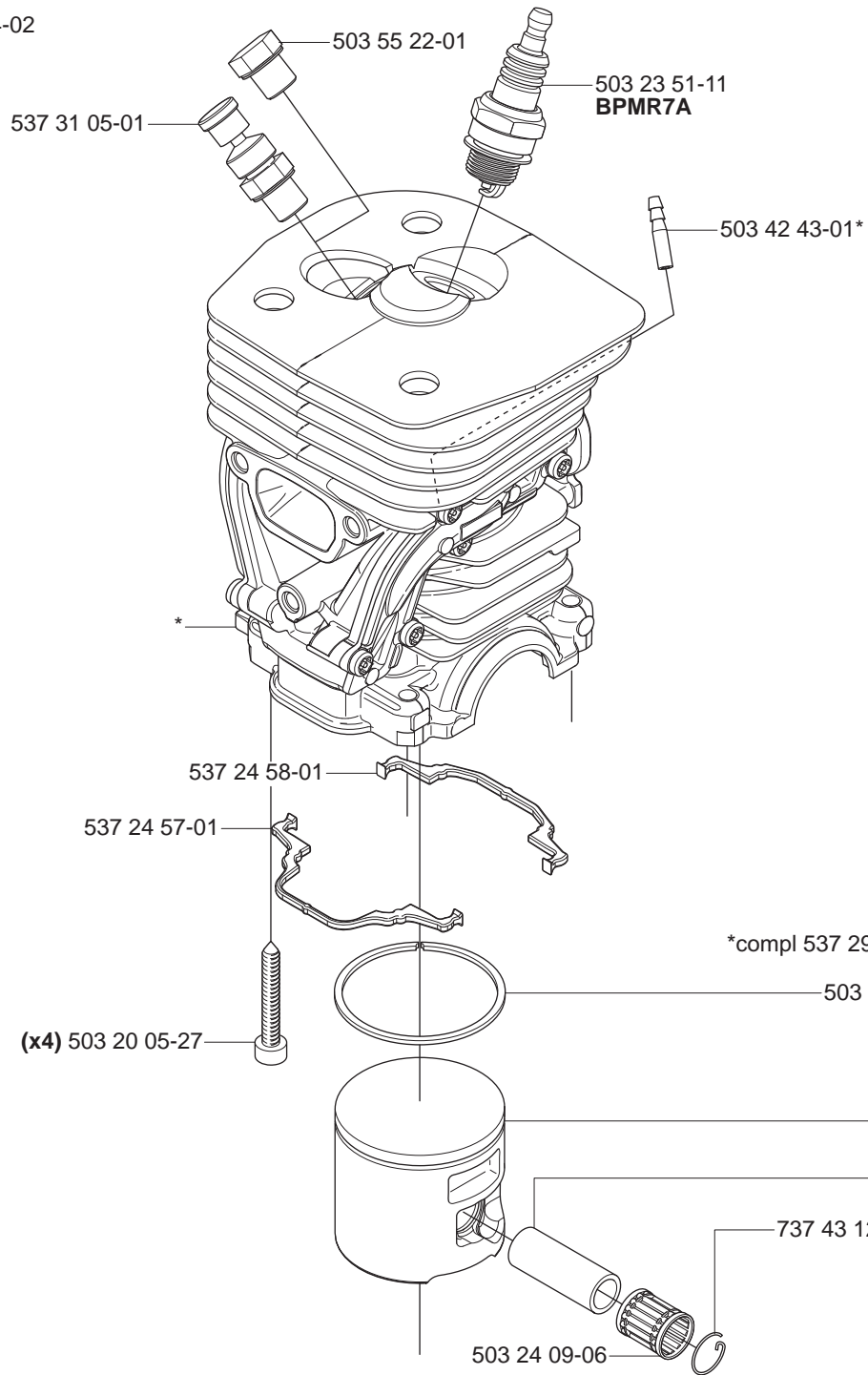


G

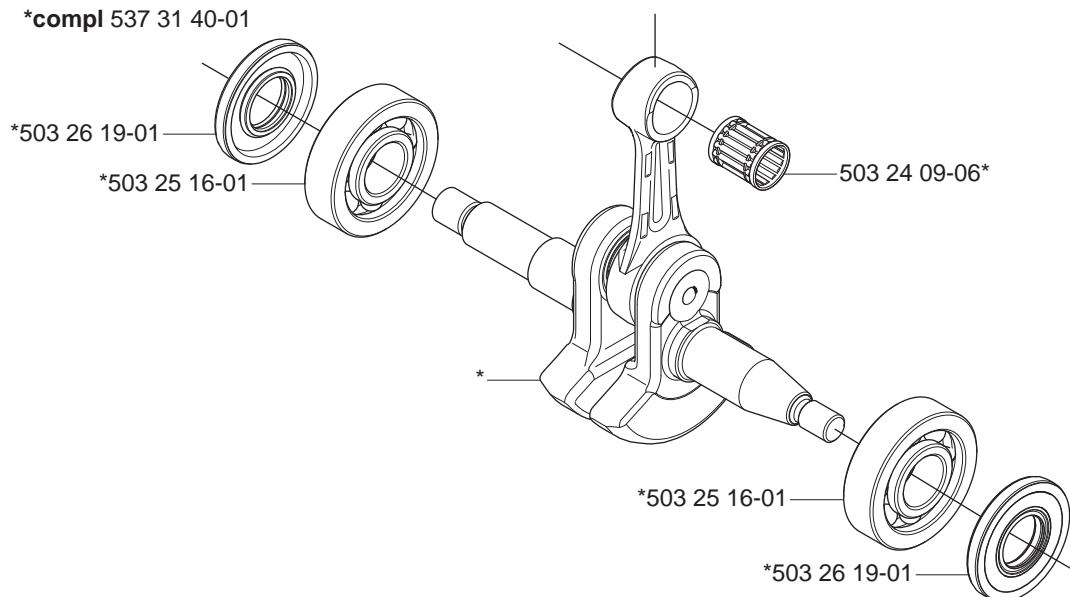


H

*compl 537 32 04-02

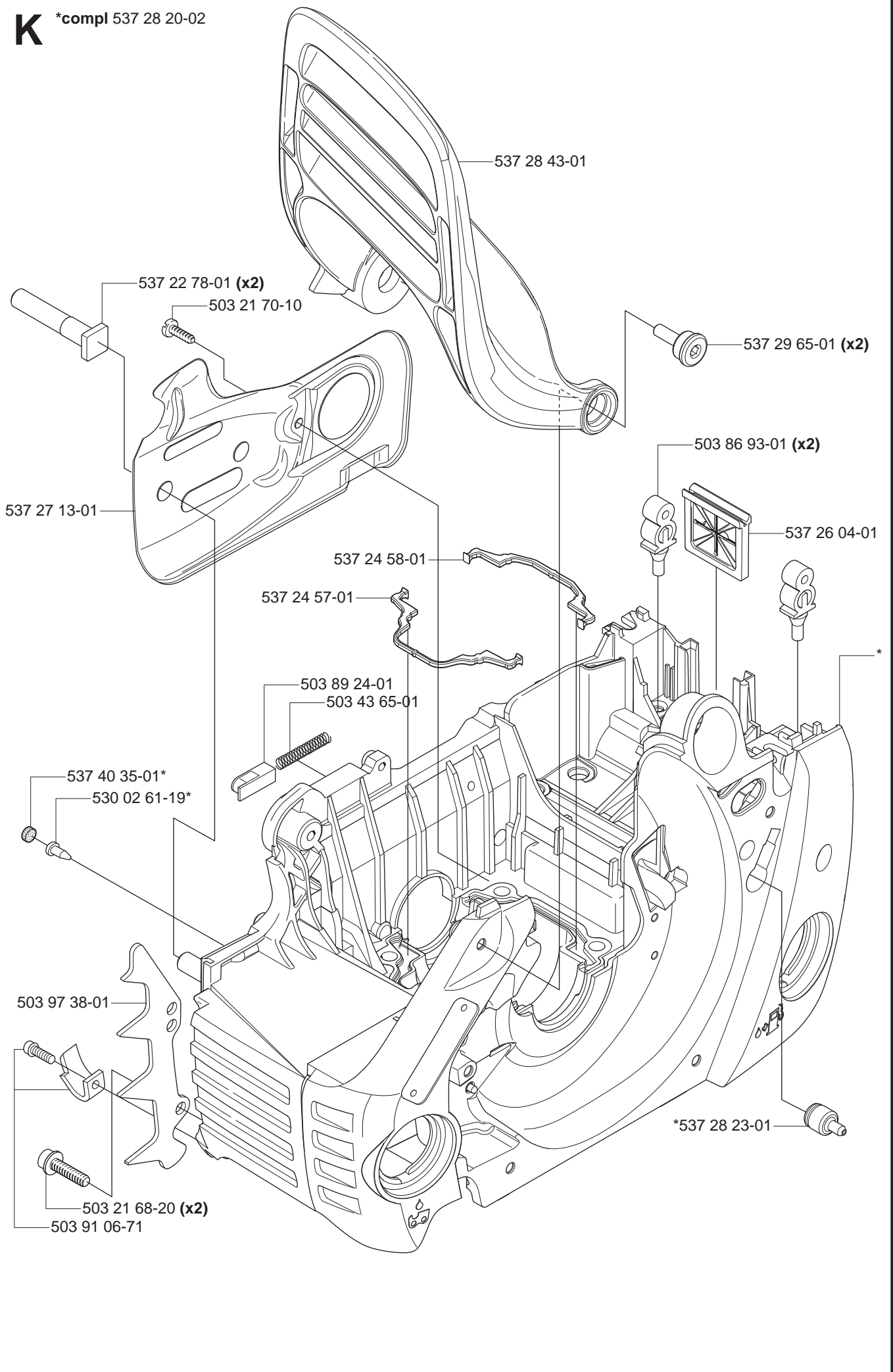
**J**

*compl 537 31 40-01

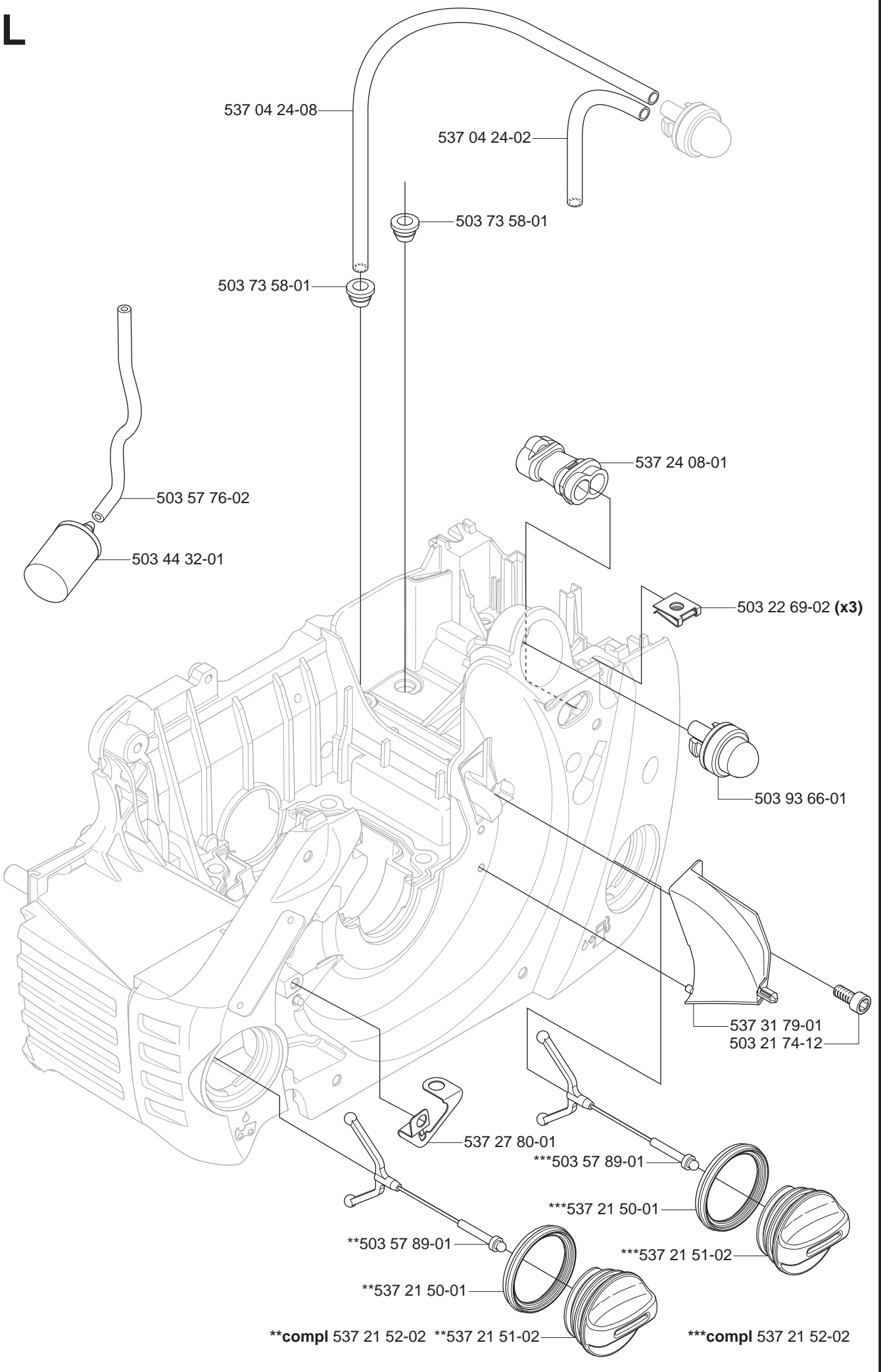


K

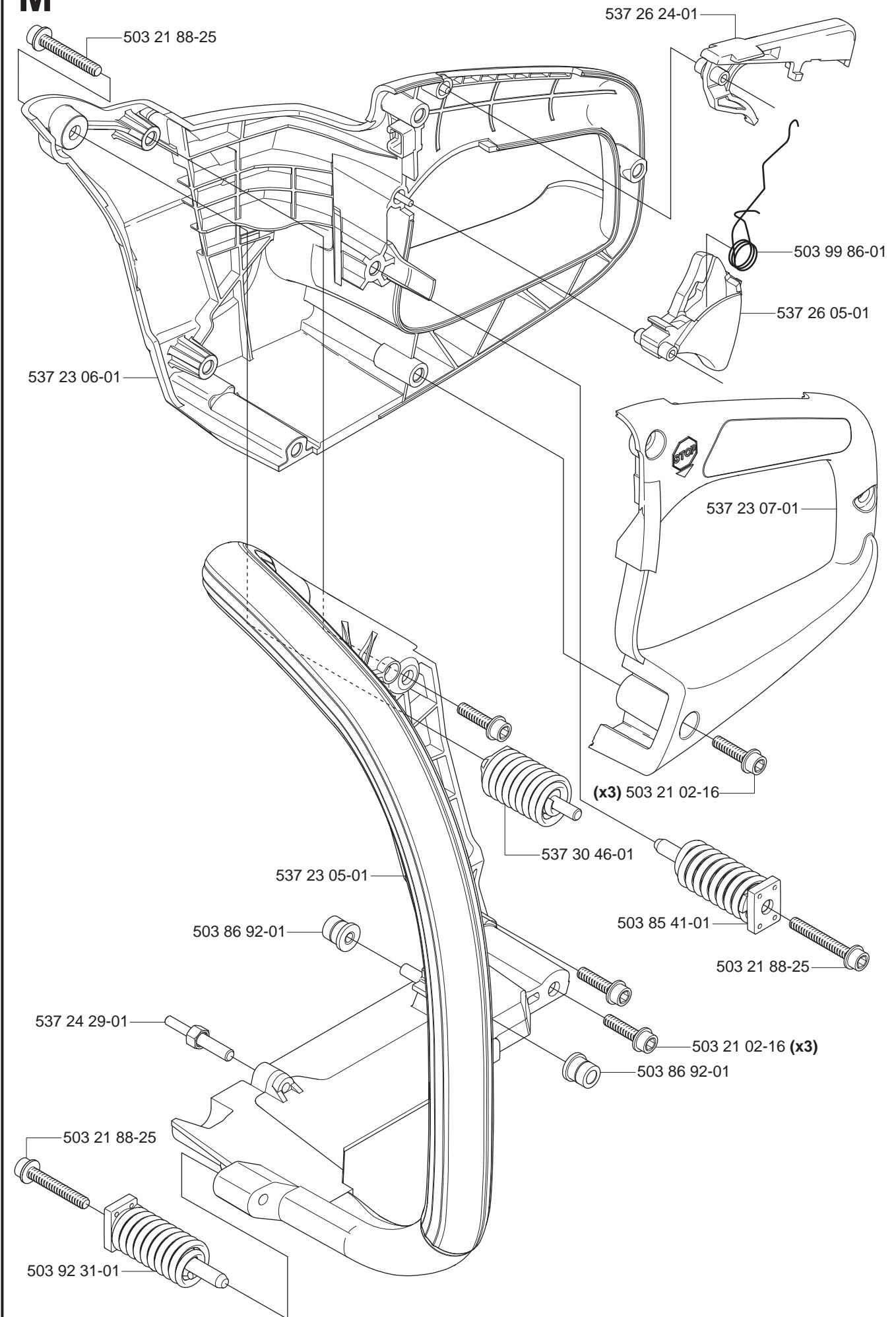
*compl 537 28 20-02



L

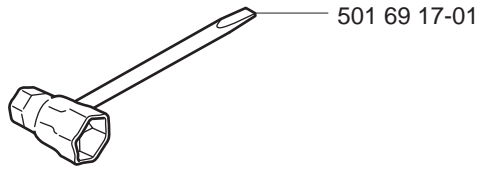


M



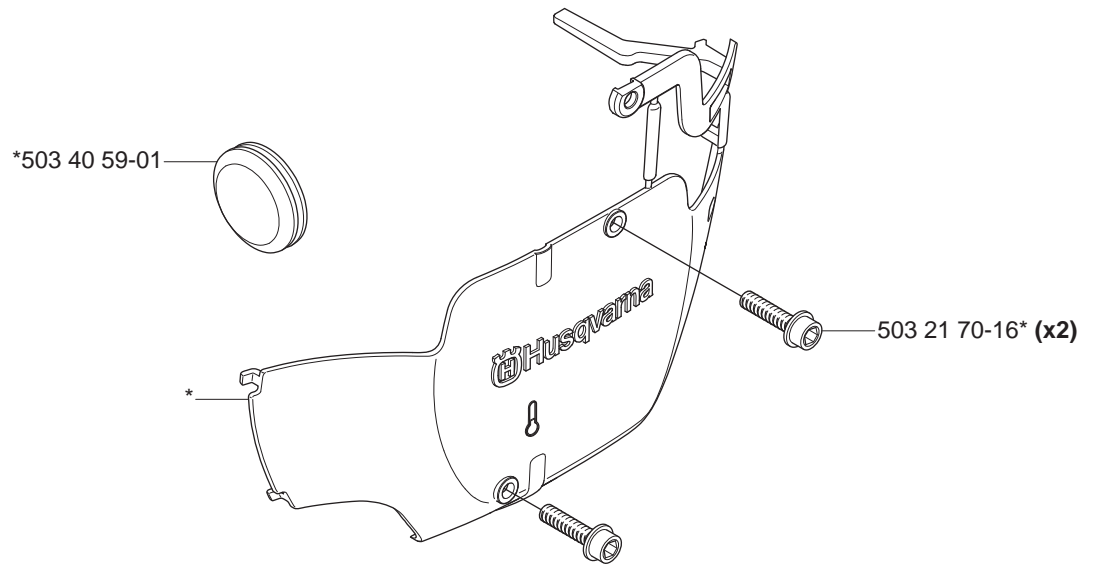
P

Tillbehör
Accessories
Zubehöre
Accessoires
Accesorios



Q

WINTER KIT
*compl 537 35 60-01



RECOMMENDED PARTS, ACCESSORIES, LUBRICANTS

455 RANCHER CHAIN SAW

	<u>Item</u>	<u>Part Number</u>	<u>Description</u>
Normal Maintenance Parts	Air Filter - Felt	537 25 57-01	
	Air Filter - Nylon	537 25 57-03	
	Spark Plug	503 23 51-11	
	Fuel Filter	503 44 32-01	
	Primer Bubble	503 93 66-01	
	Ignition Module	537 16 21-05	
	Starter Housing Assy.	537 28 42-01	
	Switch On/Off	537 25 55-01	
	Front Handle, Left	537 23 07-01	
	Front Handle, Right	537 23 06-01	
	Chain Brake	537 28 63-01	
	Oil Gear	537 25 26-01	
	Fuel Cap	537 21 52-02	
	Oil Cap	537 21 52-02	
	Bar Nut	503 22 00-01	
	<u>Item</u>	<u>Part Number</u>	<u>Description</u>
Chainsaw Accessories	Bar	608 00 01-56	FT280-68, 18" Bar (3/8"),(.050")
		608 00 01-57	FT280-72, 20" Bar (3/8"),(.050")
	Chain	501 84 65-68	H80-68, 18" Chain (3/8"),(.050")
		501 84 65-72	H80-72, 18" Chain (3/8"),(.050")
	Carrying Case	100 00 01-07	Orange Carrying Case with 20" Bar Protector
File Kit	505 69 81-91	File Kit includes: File handle, Combination file guide, 2 round files, and 1 flat file. Use with H80 & H46 chains.	
	<u>Item</u>	<u>Part Number</u>	<u>Description</u>
Lubricants	Bar and Chain	610 00 00-14	Bar and Chain Lubricant - 1 Quart
		610 00 00-34	Bar and Chain Lubricant - 1 Gallon
	XP Premium	610 00 00-85	XP Premium - 2.6 oz (1 Gallon Mix)
		610 00 00-82	XP Premium - 6.4 oz (2.5 Gallon Mix)
	<u>Item</u>	<u>Part Number</u>	<u>Description</u>
Protective Apparel	Protective Glasses	605 00 04-15	Lexa- Clear lens
		605 00 04-16	Lexa- Grey lens
	Helmets	505 67 53-15	Helmet System (Husqvarna)
	Protective Gloves	531 30 02-73	Xtreme Duty Work Gloves (Medium)
		531 30 02-74	Xtreme Duty Work Gloves (Large)
		531 30 02-75	Xtreme Duty Work Gloves (X-Large)
	Chaps	605 00 00-13	Pro Forest Apron Chaps (Navy Blue)
		605 00 00-14	Pro Forest Apron Chaps (Orange)

455 RANCER

Part Number	Description	Square	Part Number	Description	Square
501 46 69-01	SCREW	N	503 93 66-01	AIR PURGE BUBBLE	L
501 46 84-01	SPRING	N	503 97 38-01	FELLING DOG	K
501 46 85-01	BALL	N	503 98 74-01	DECAL	C
501 46 87-01	SCREW	N	503 99 86-01	SPRING	M
501 48 54-02	SPARK PLUG CONN. KIT	E	504 13 08-08	METERING DIAPHRAGM	N
501 66 61-01	FUEL INLET SCREEN	N	504 13 09-06	GASKET	N
501 69 17-01	COMBI TOOL	P	504 21 00-49	SPRING, H-NEEDLE	N
501 76 83-25	FUEL HOSE 242/42	G	504 21 00-50	SPRING/COMPRESSION	N
502 21 36-01	DIAPHRAGM, FUEL PUMP	N	504 35 09-06	GASKET	N
503 20 02-16	SCREW	G	505 30 51-25	STARTER ROPE	D
503 20 05-27	SCREW	H	505 31 67-17	SCREW	N
503 20 34-30	SCREW	C	505 31 67-36	E CLIP	N
503 21 02-16	SCREW	M	505 31 67-54	DIAPHRAGM COVER	N
503 21 29-10	SCREW	D	505 52 01-25	FULCRUM PIN	N
503 21 53-20	SCREW	E	505 52 01-27	LEVER	N
503 21 55-25	SCREW	G	530 02 61-19	VALVE-CHECK (DUCKBILL)	K
503 21 68-20	SCREW	K	530 03 50-15	SCREW SHUTTERS	N
503 21 70-10	SCREW	A, K	537 00 34-01	SCREW	N
503 21 70-16	SCREW	Q	537 01 74-01	SLEEVE	A
503 21 73-21	SCREW	D	537 02 71-01	SCREW	B
503 21 74-12	SCREW	L	537 04 24-02	HOSE	L
503 21 74-16	SCREW	B	537 04 24-08	HOSE	L
503 21 74-50	SCREW	G	537 04 30-01	BRAKE BAND	A
503 21 77-16	SCREW	D	537 06 93-01	PUMPISTON	B
503 21 88-25	SCREW	M	537 07 94-02	SCREW	A
503 22 00-01	NUT M8 FLANGE	A	537 08 00-01	SPRING	B
503 22 04-01	NUT W/ WASHER	E	537 08 90-01	PROTECTOR	A
503 22 69-02	CLIP	L	537 09 25-01	PULLEY	D
503 23 00-60	WASHER	B	537 10 55-02	PUMP	B
503 23 00-63	WASHER	A	537 10 80-01	COVER	A
503 23 51-11	BPMR7A NGK SPARK PLUG	H	537 11 05-01	CLUTCH ASSY	B
503 24 09-06	BEARING	B, H, J	537 16 21-05	SPARK PLUG COVER	E
503 25 16-01	BEARING	J	537 21 50-01	SEALING	L
503 25 52-01	NEEDLE BEARING	B	537 21 51-02	TANK CAP	L
503 26 19-01	COVER	J	537 21 52-02	TANK CAP	L
503 28 21-01	CARBURETOR	G, N	537 22 78-01	BOLT	K
503 28 90-50	PISTON RING	H	537 22 84-01	CYLINDER	B
503 40 59-01	PLUG	Q	537 23 05-01	FRONT HANDLE	M
503 42 43-01	NIPPLE	H	537 23 06-01	HANDLE HALF, RIGHT	M
503 43 65-01	LOCK SPRING	K	537 23 07-01	HANDLE HALF, RIGHT	M
503 44 32-01	FUEL FILTER	L	537 23 25-01	HANDLE	D
503 46 59-01	SPRING	A	537 23 61-01	PARTITION	G
503 56 34-01	INLET NEEDLE	N	537 24 08-01	SLEEVE	L
503 57 76-02	HOSE	L	537 24 14-01	INDUCTION MANIFOLD	G
503 57 89-01	HOLDER	L	537 24 15-01	FLANGE	G
503 73 58-01	FUEL TANK BUSHING	L	537 24 17-01	RETURN SPRING	D
503 78 32-01	SPRING, STARTER CATCH	E	537 24 29-01	PIN	M
503 79 05-02	RIVET	E	537 24 56-01	PAWL	E
503 80 04-01	JET	N	537 24 57-01	GASKET	H, K
503 85 41-01	VIBRATION ABSORBER	M	537 24 58-01	GASKET	H, K
503 85 52-01	SLEEVE	A	537 25 15-01	MUFFLER	F
503 86 92-01	MOVEMENT LIMITER	M	537 25 23-01	SCREEN	F
503 86 93-01	SUPPORT	K	537 25 26-01	PINION	B
503 86 97-01	SPRING	G	537 25 29-01	OIL PUMP	B
503 89 08-02	JOINT	A	537 25 55-01	STOP SWITCH	G
503 89 15-01	SPRING	B	537 25 56-01	CHOKE CONTROL	G
503 89 16-01	SPRING	B	537 25 57-01	AIR FILTER	G
503 89 24-01	CATCH	K	537 25 57-02	AIR FILTER	G
503 89 29-01	PIN	A	537 25 57-03	AIR FILTER	G
503 91 06-71	CHAIN CATCHER	P	537 26 04-01	GROMMET	K
503 91 39-01	LIMITER CAP	N	537 26 05-01	THROTTLE TRIGGER	M
503 91 40-01	LIMITER CAP	N	537 26 08-01	THROTTLE ROD	G
503 91 54-01	CAP	N	537 26 09-01	AIR CONDUCTOR	D
503 92 31-01	SPRING	M	537 26 14-01	OIL HOSE	B
503 93 51-01	THROTTLE FLAP	N	537 26 15-01	OIL HOSE	B

455 RANCER

Part Number	Description	Square		Part Number	Description	Square
537 26 24-01	THROTTLE LOCK	M		537 29 65-01	SCREW, HAND GUARD	K
537 27 13-01	PLATE	K		537 29 86-01	DECAL, CLUTCH COVER	A
537 27 27-01	CABLE ASSY	E		537 30 46-01	VIBRATIONS ABSORBER	M
537 27 80-01	SWITCH PLATE	L		537 30 49-01	LOOP	G
537 28 20-02	CRANKCASE	K		537 30 62-01		N
537 28 23-01	AIR CONDUCTOR	K		537 30 89-01	CYLINDER COVER	C
537 28 32-01	SLEEVE	D		537 31 05-01		H
537 28 41-01	STARTER DEVICE	D		537 31 40-01	CRANKSHAFT	J
537 28 42-01	STARTER HOUSING CPL.	D		537 31 79-01	JET	L
537 28 43-01	HAND GUARD	K		537 32 04-02	CYLINDER	H
537 28 63-01	CLUTCH COVER	A		537 32 10-01	INDUCTION MANIFOLD	G
537 28 64-01	COVER	A		537 32 30-01	FILTER HOLDER	G
537 28 65-01	SCREW	A		537 32 33-01	DECAL	D
537 28 66-01	PAWL	A		537 33 21-01	OIL SCREEN	B
537 28 76-01	HEAT SHIELD	F		721 11 64-30	PIN	B
537 28 77-01	GASKET	F		725 53 68-55	SCREW MC6S 6X16	F
537 29 16-02	CLUTCH DRUM	B		735 31 08-20	E-RING 4	A
537 29 17-02	CLUTCH DRUM	B		737 43 12-00	WRIST PIN CLIP	H
537 29 27-01	FLYWHEEL	E		740 48 07-02	O-RING	A
537 29 30-02	PISTON CPL.	H				

IPL, 455 Rancher, 2004-10, 106 40 11-61