

# 346XP, 353 346XP EPA 353 EPA

**Spare parts**

**Ersatzteile**

**Pièces détachées**

**Reserve onderdelen**

**Repuestos**

**Reservdelar**

Replaces

Ersetzt

Remplace

Vervangt

Reemplaza

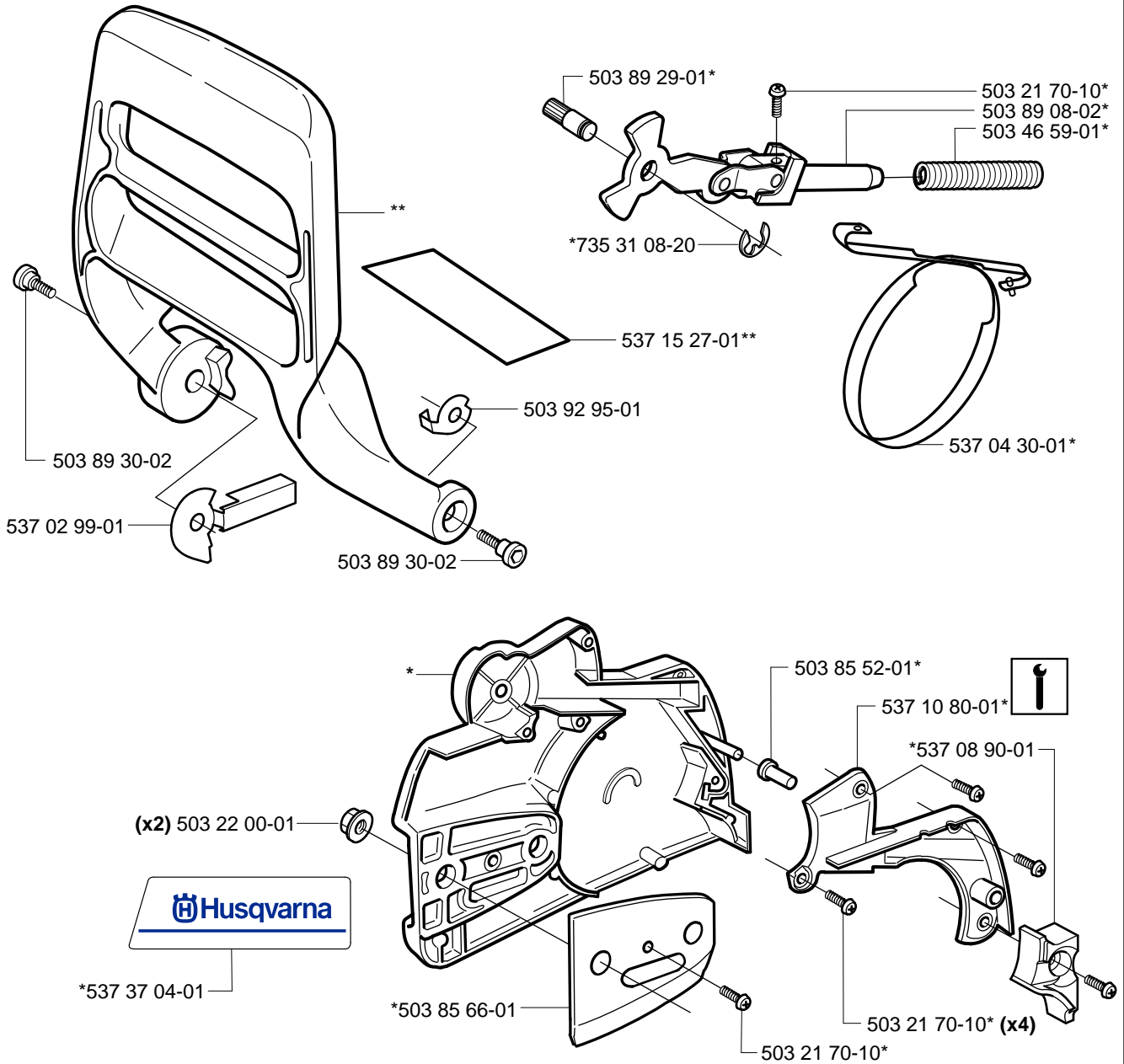
Ersätter

106 25 44-65, 106 39 88-61

# A

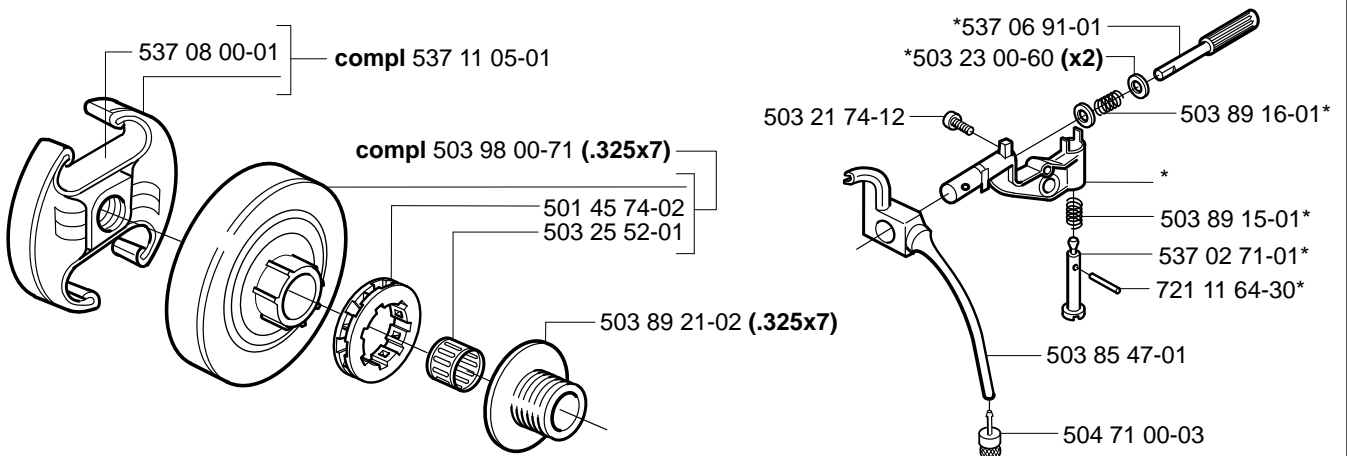
\*\*compl 537 15 28-01

\*compl 537 10 78-01



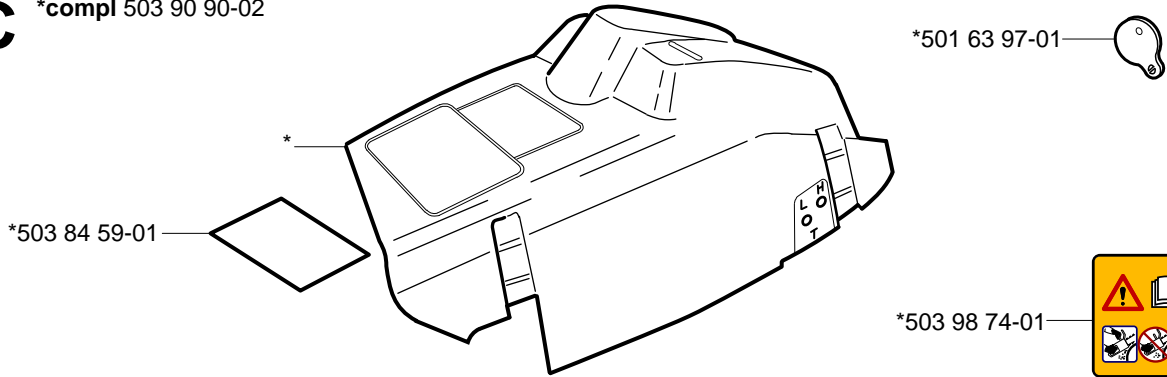
# B

\*compl 537 10 55-01



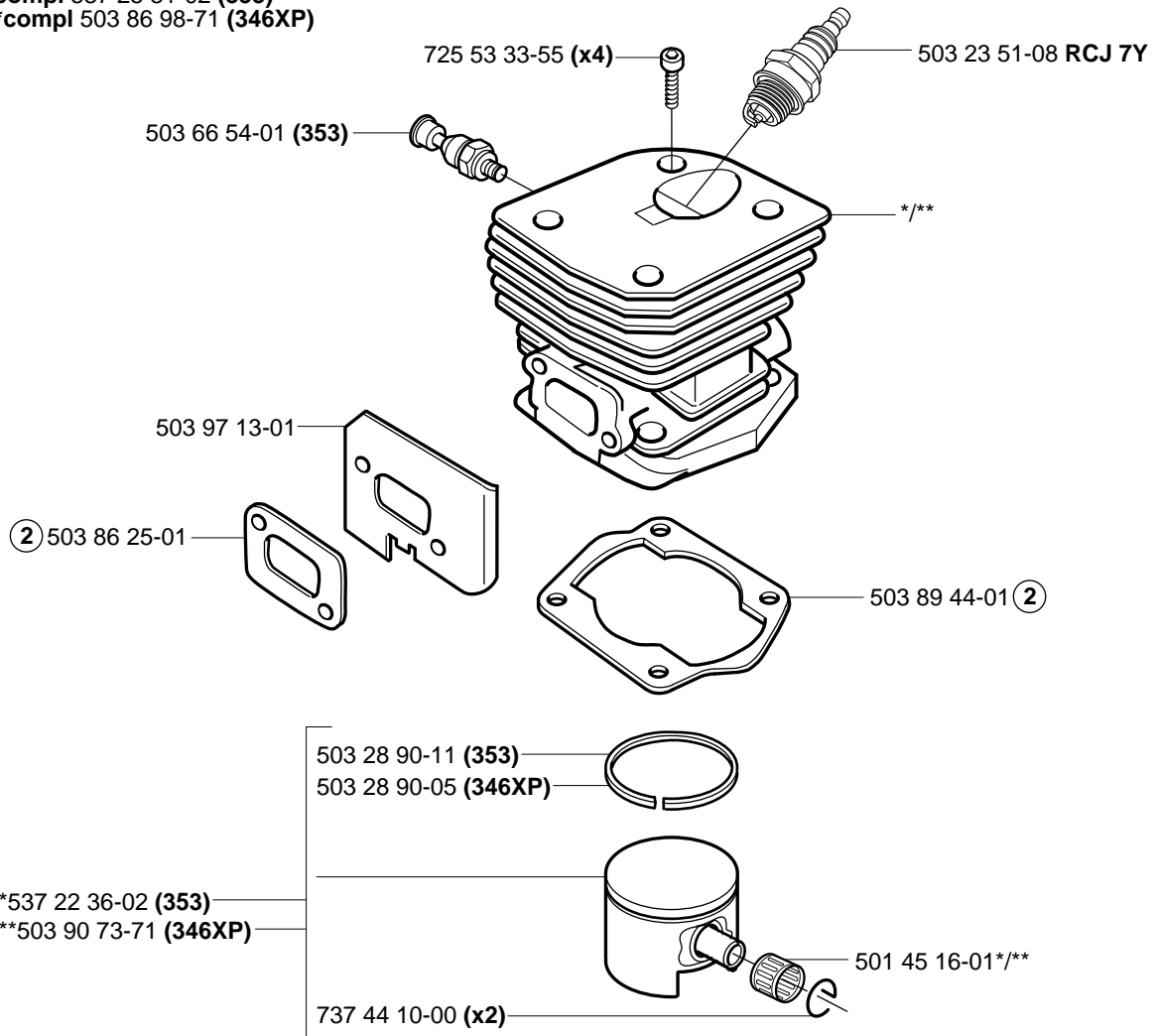
**C**

\*compl 503 90 90-02

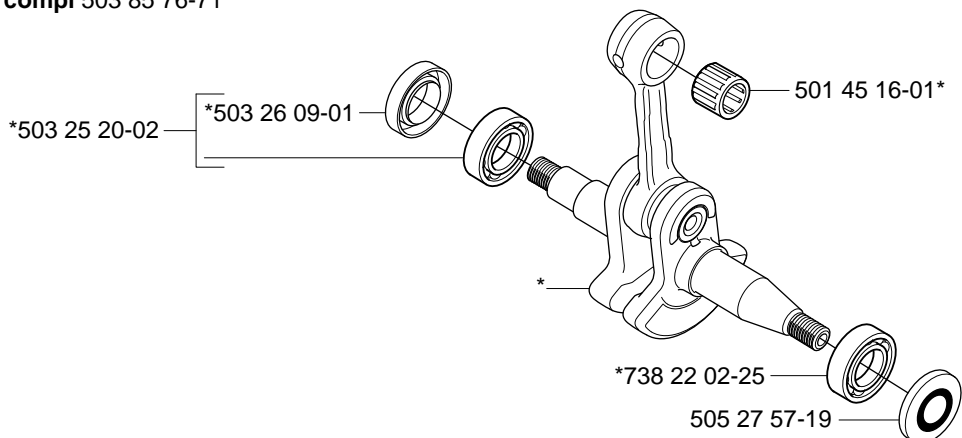
**D**

\*compl 537 25 31-02 (353)

\*\*compl 503 86 98-71 (346XP)

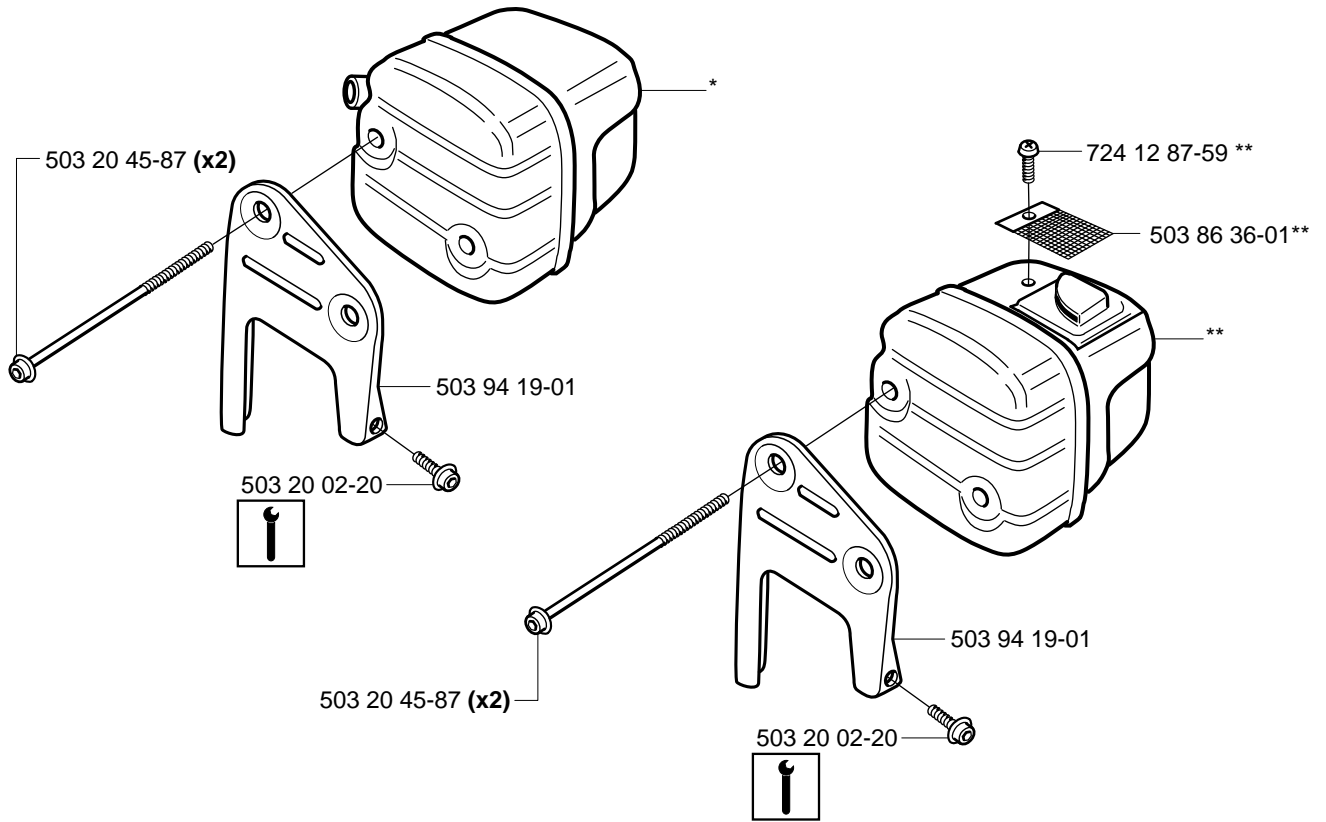
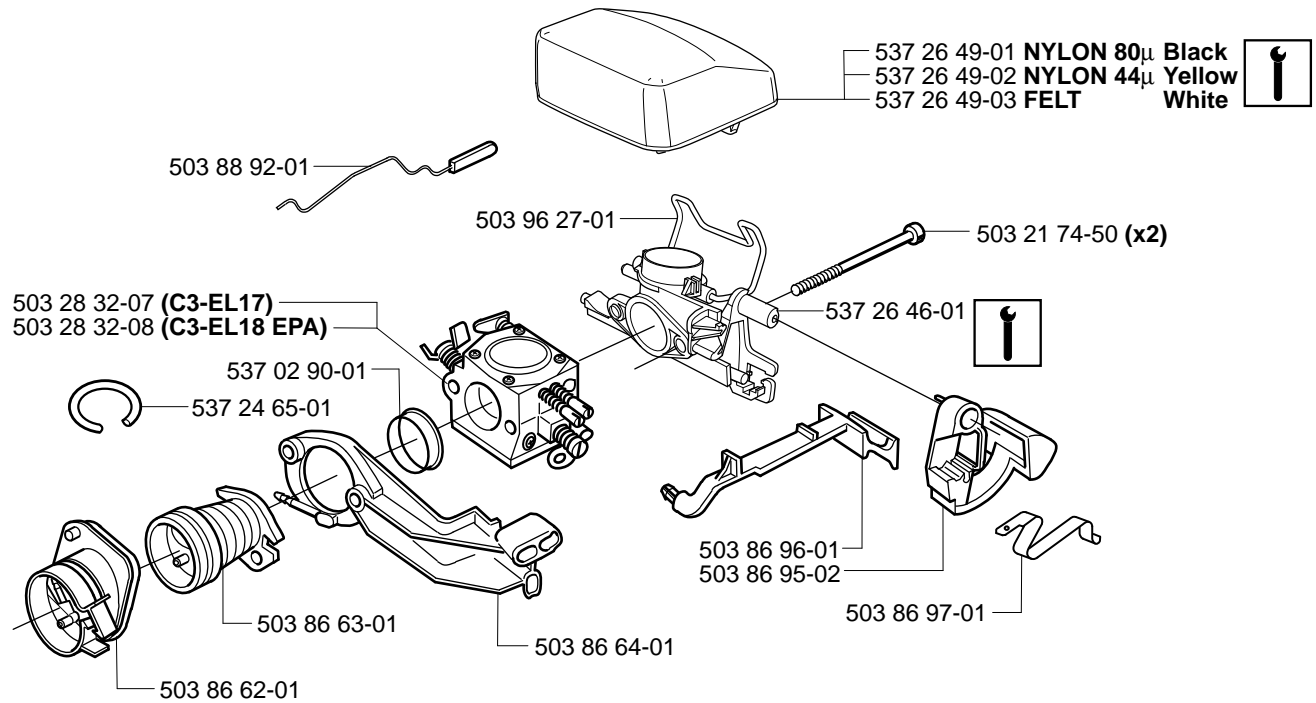
**E**

\*compl 503 85 76-71



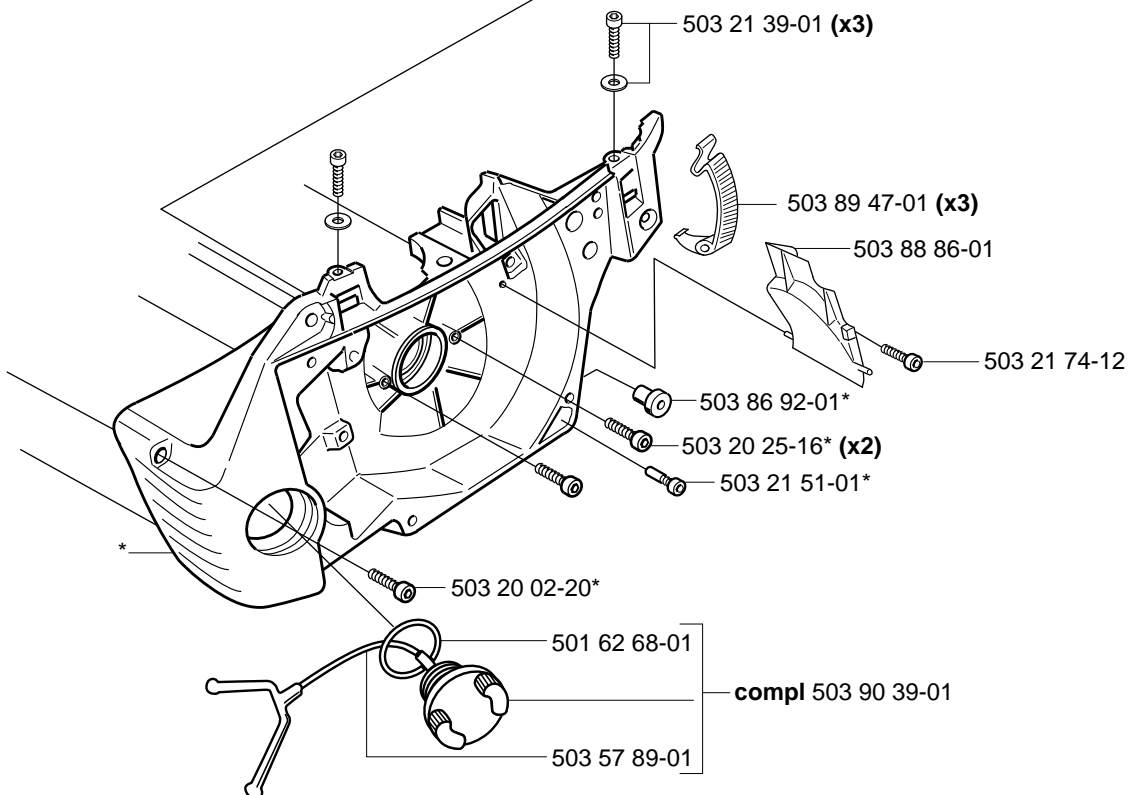
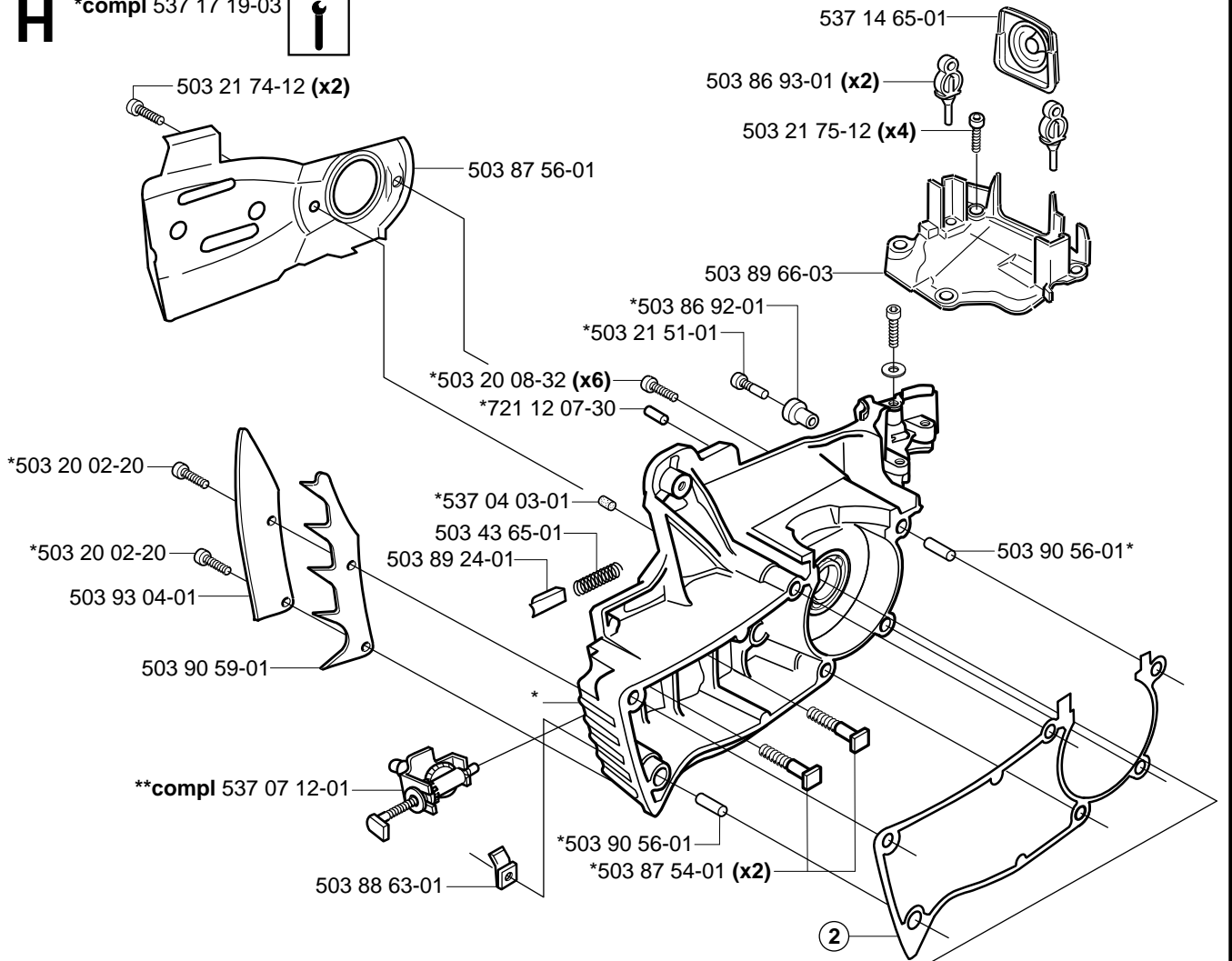
**F**

\*compl 503 86 27-03 (EU)

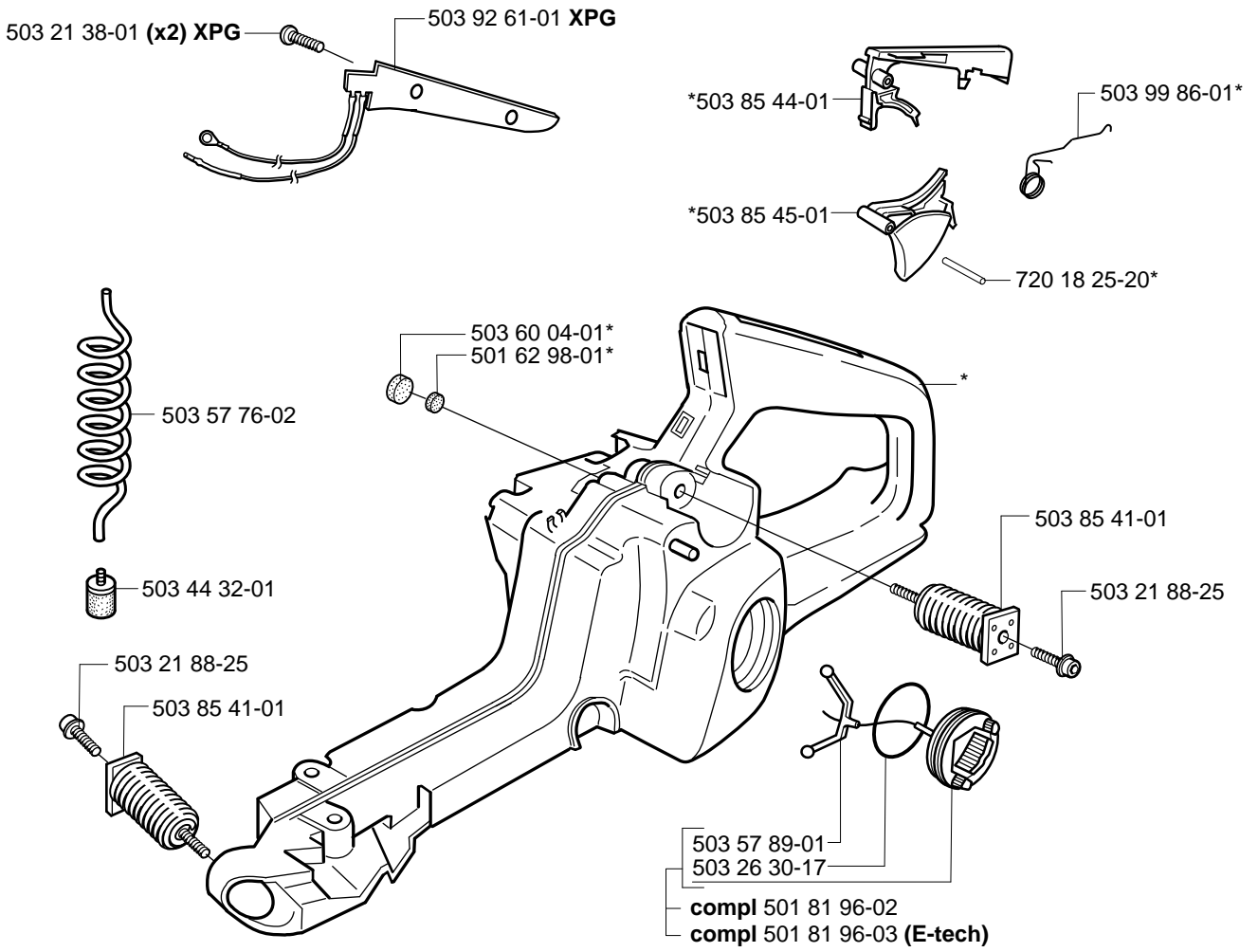
\*\*compl 503 86 28-03 (DF)  
\*\*compl 537 07 54-02 (E-tech)**G**

**H**

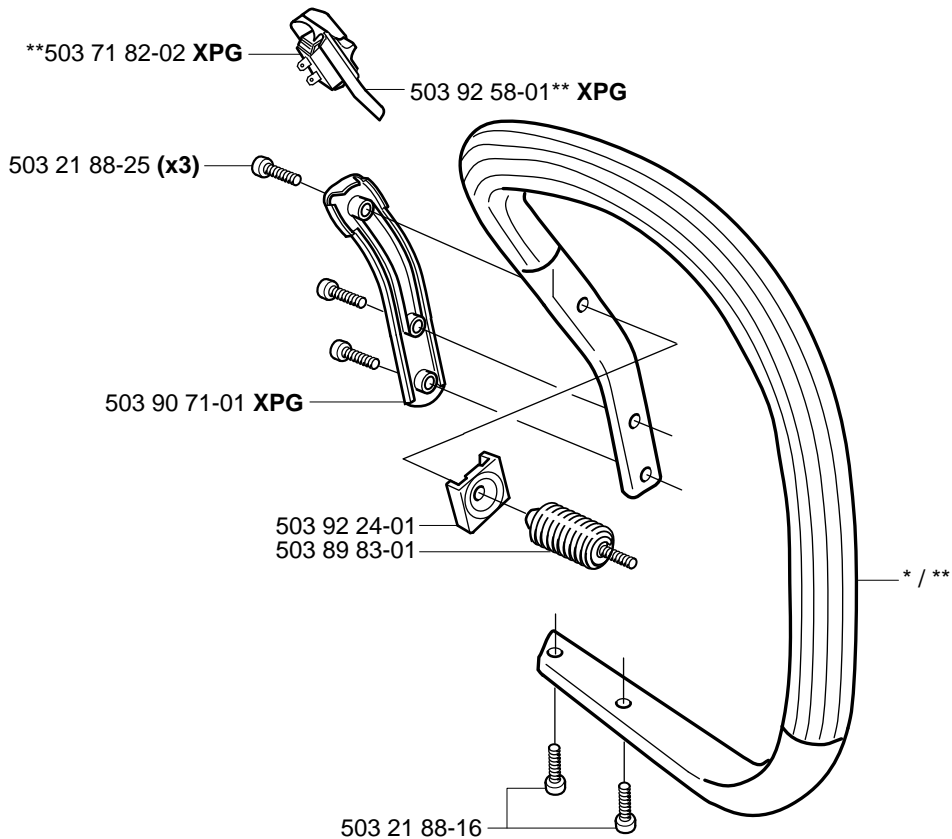
\*compl 537 17 19-03



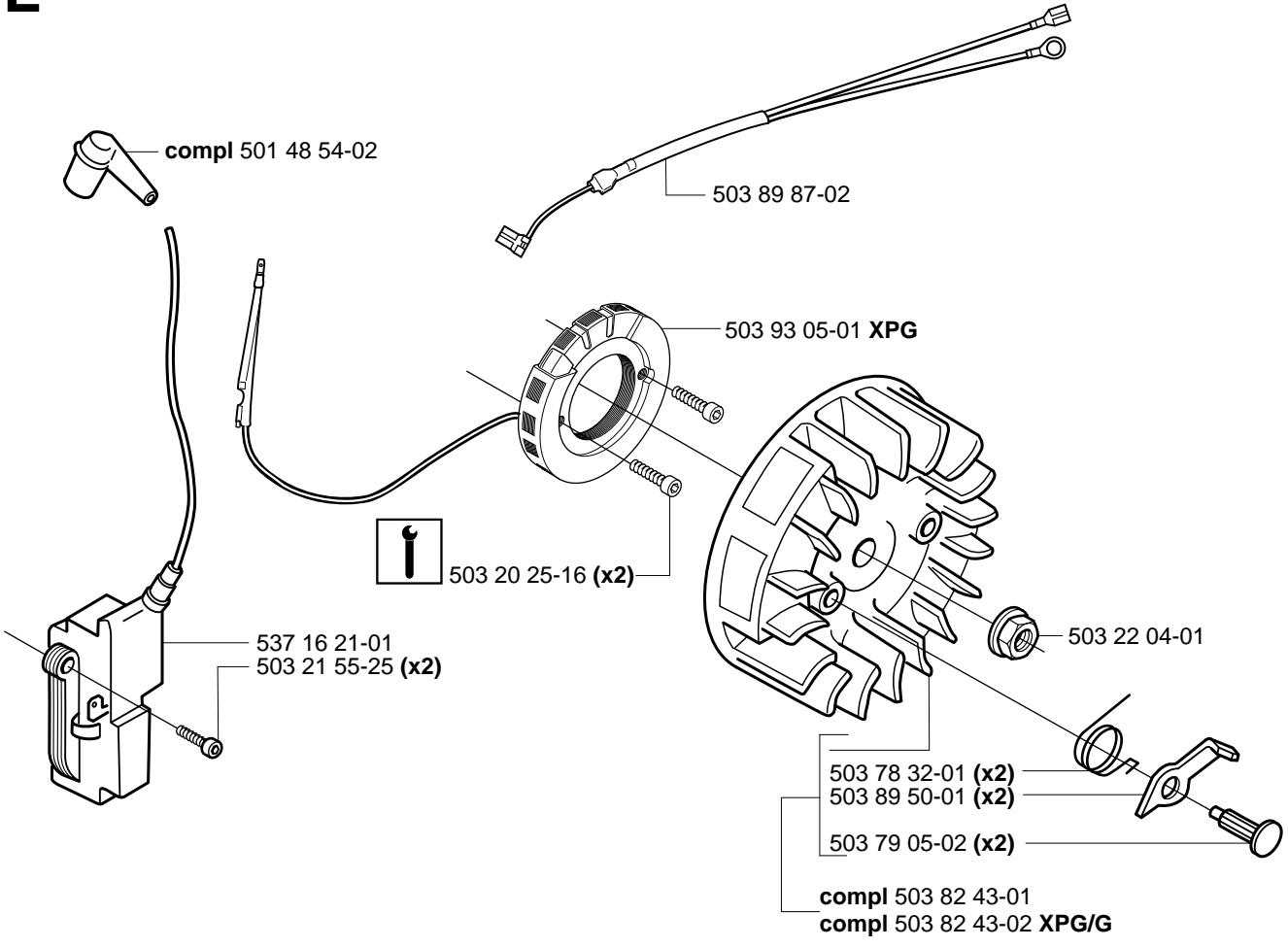
**J** \*compl 503 86 37-71



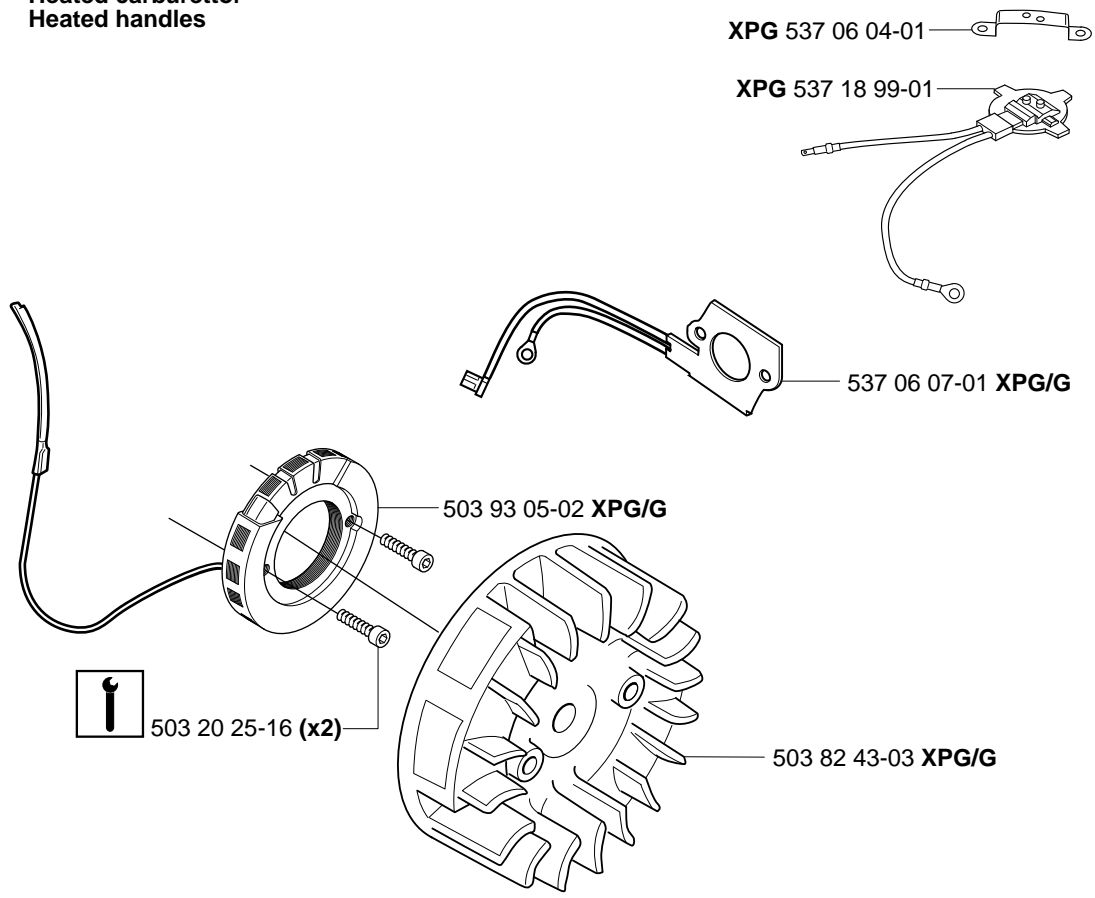
**K** \*compl 503 90 93-01    \*\* compl 503 90 93-03 XPG

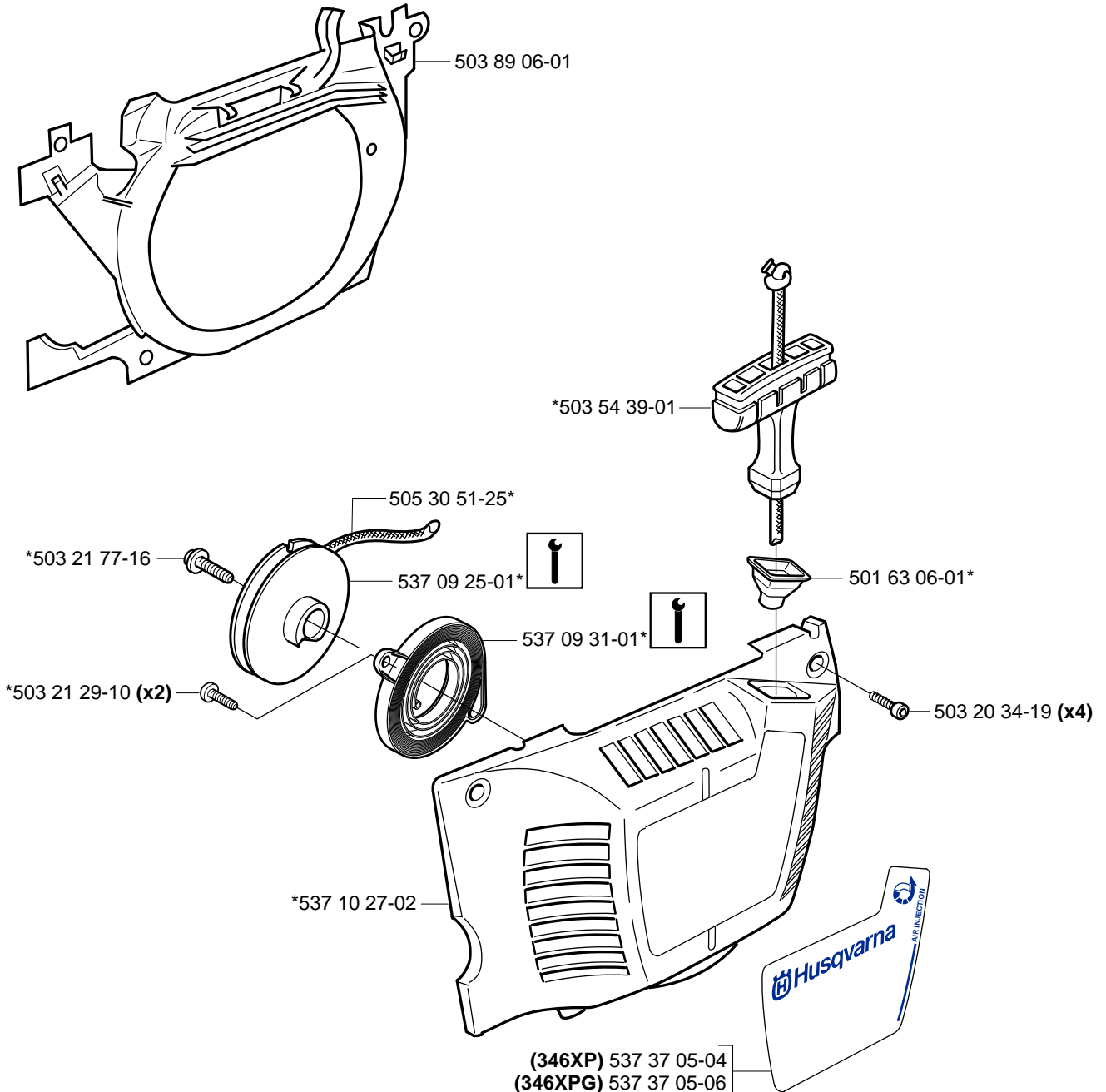


**L**



**Heated carburettor  
Heated handles**





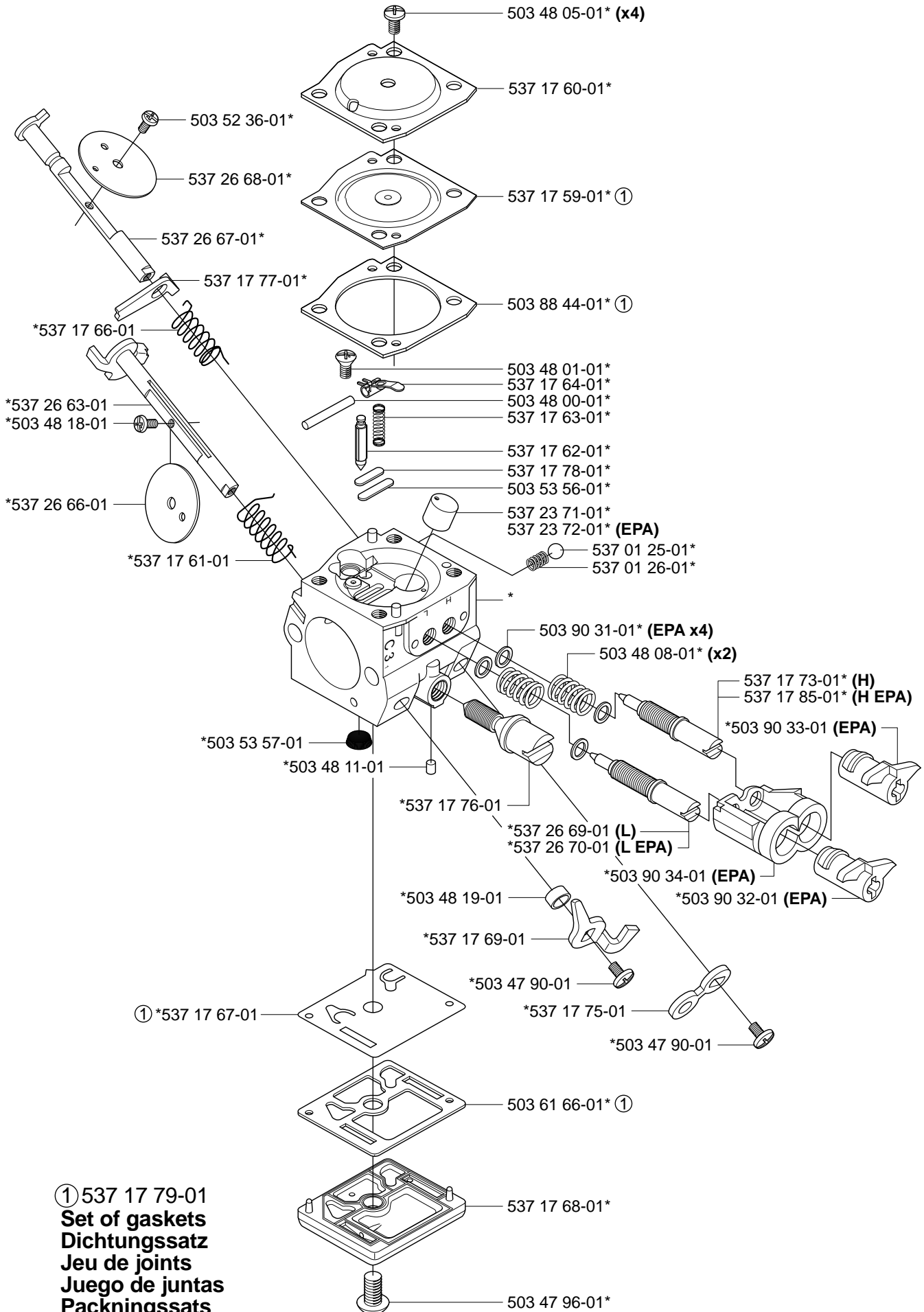
- (346XP) 537 37 05-04
- (346XPG) 537 37 05-06
- (346XPG Heated carburettor) 537 37 05-07
- (346XP E-tech) 537 37 05-05
- (346XPG E-tech) 537 37 05-08
- (346XPG Heated carburettor E-tech) 537 37 05-09
- (353) 537 37 05-10
- (353G) 537 37 05-12
- (353G Heated carburettor) 537 37 05-13
- (353 E-tech) 537 37 05-11
- (353G E-tech) 537 37 05-14
- (353G Heated carburettor E-tech) 537 37 05-15



**N**

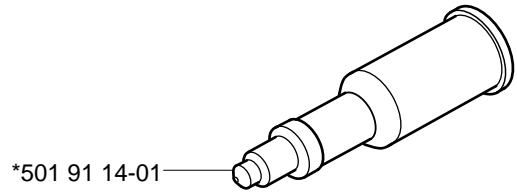
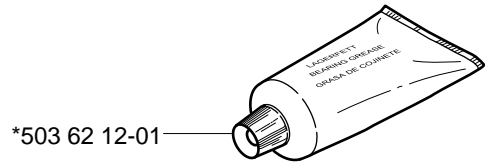
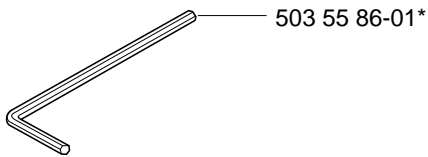
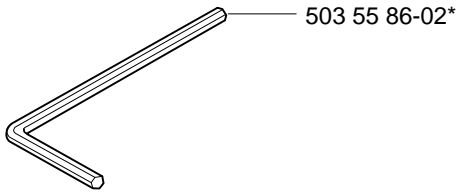
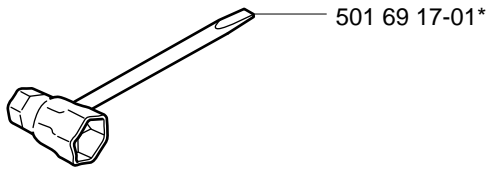
\*compl 503 28 32-07 ZAMA C3-EL17

\*compl 503 28 32-08 ZAMA C3-EL18 EPA

**ZAMA C3-EL17  
ZAMA C3-EL18**

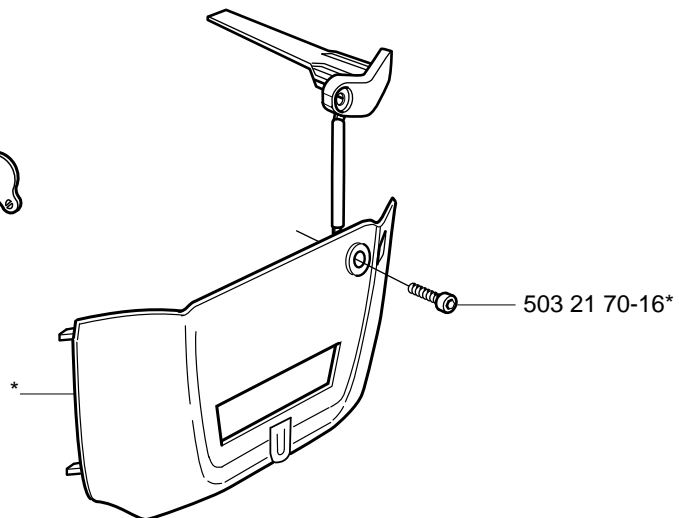
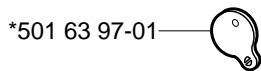
**P**

Tillbehör  
Accessories  
Zubehöre  
Accessoires  
Accesorios  
\*compl 503 55 85-01



---

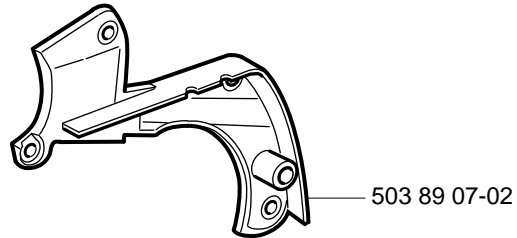
**WINTER KIT**  
\*compl 537 04 28-02



Q



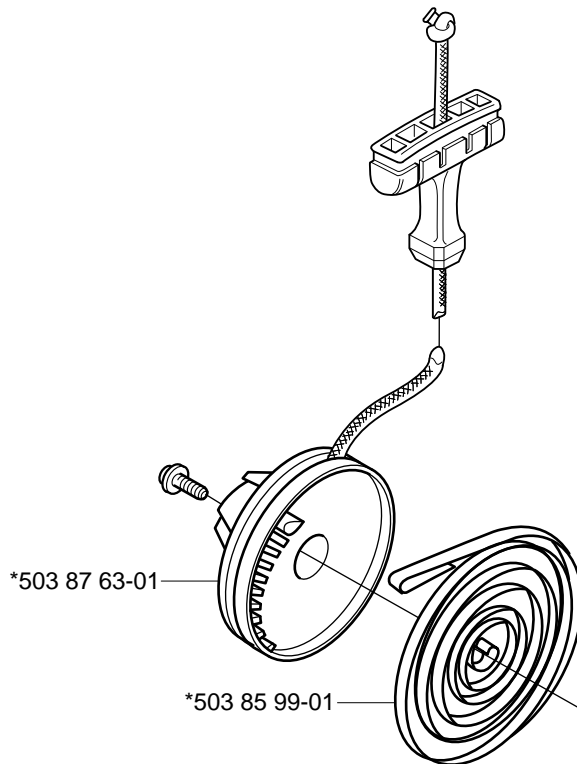
Up to 004100041 (346XP)



503 89 07-02



Up to 010700001 (346XP)



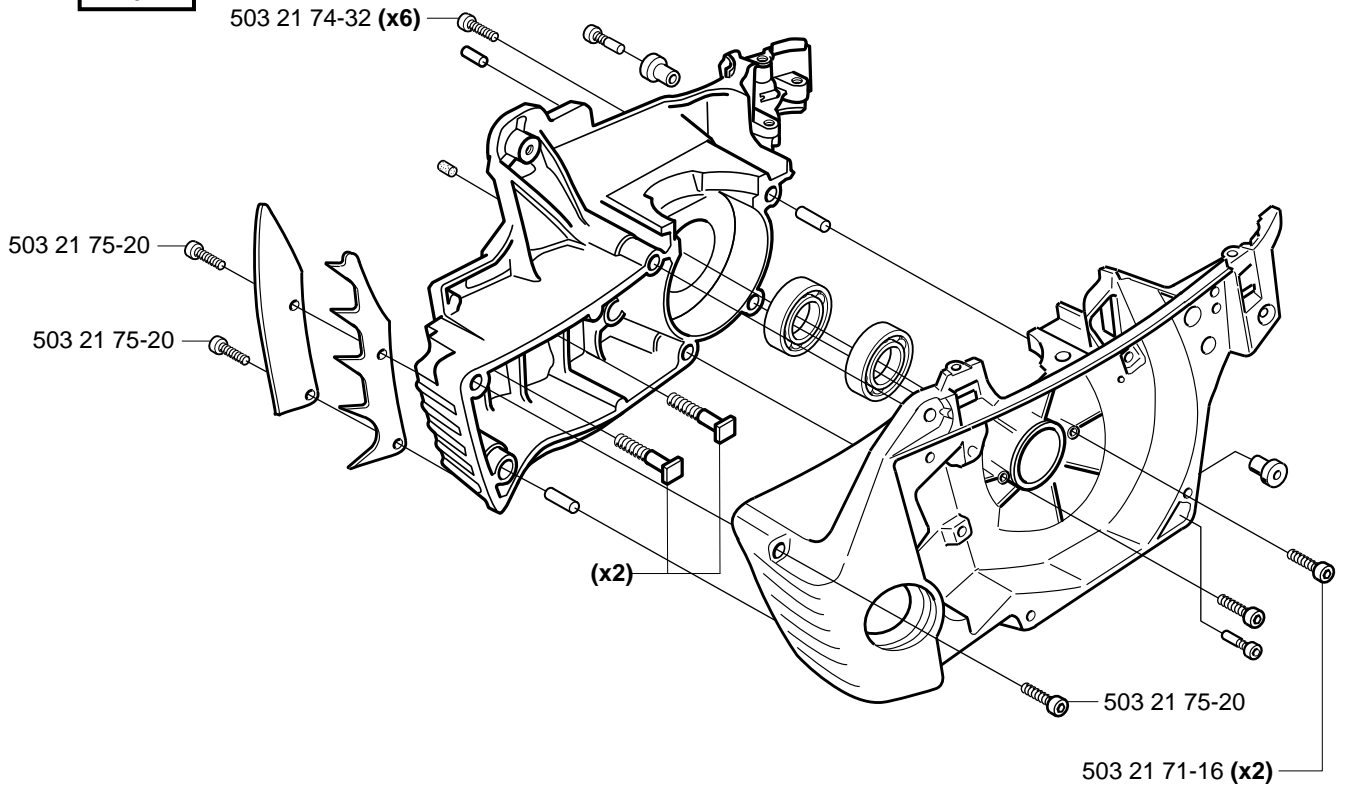
\*503 87 63-01

\*503 85 99-01

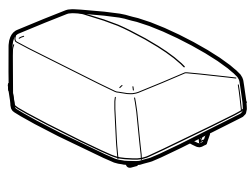
Q



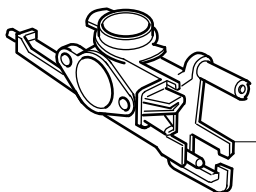
### Up to 030500001 (346XP)



### Up to 034200001 (346XP) Up to 034200001 (353)



- 537 02 40-01 **NYLON 80 $\mu$  Black**
- 537 02 40-02 **NYLON 44 $\mu$  Yellow**
- 537 02 40-03 **FELT White**



503 86 94-01

PART NUMBER	SQUARE NOTE	PART NUMBER	SQUARE NOTE	PART NUMBER	SQUARE NOTE	PART NUMBER	SQUARE NOTE
357 37 05-06	M N	503 62 12-01	P	503 93 05-01	L	537 26 68-01	N
357 37 05-07	M N	503 66 54-01	D	503 93 05-02	L	537 26 69-01	N
357 37 05-12	M N	503 71 82-02	K	503 94 19-01	F	537 26 70-01	N EPA
357 37 05-13	M N	503 78 32-01	L	503 94 28-02		537 37 04-01	A N
501 45 16-01	D,E	503 79 05-02	L	503 96 27-01	G	537 37 05-04	M N
501 45 74-02	B	503 82 43-01	L	503 97 13-01	D	537 37 05-05	M N
501 48 54-02	L	503 82 43-02	L	503 98 00-71	B	537 37 05-08	M N
501 62 68-01	H	503 82 43-03	L	503 98 74-01	C	537 37 05-09	M N
501 62 98-01	J	503 84 59-01	C	503 99 86-01	J	537 37 05-10	M N
501 63 06-01	M	503 85 41-01	J	504 71 00-03	B	537 37 05-11	M N
501 63 97-01	C,P	503 85 44-01	J	505 27 57-19	E	537 37 05-14	M N
501 69 17-01	P	503 85 45-01	J	505 30 51-25	M	537 37 05-15	M N
501 81 96-02	J	503 85 47-01	B	537 01 25-01	N	720 18 25-20	J
501 81 96-03	J	503 85 52-01	A	537 01 26-01	N	721 11 64-30	B
501 91 14-01	P	503 85 66-01	A	537 02 71-01	B	721 12 07-30	H
503 20 02-20	F,H N	503 85 76-71	E	537 02 90-01	G	724 12 87-59	F
503 20 08-32	H	503 85 99-01	Q	537 02 99-01	A	725 53 33-55	D N
503 20 25-16	H,L	503 86 25-01	D	537 04 03-01	H	735 31 08-20	A
503 20 34-19	M	503 86 27-03	F	537 04 28-02	P	737 44 10-00	D
503 20 45-87	F	503 86 28-03	F	537 04 30-01	A	738 22 02-25	E
503 21 29-10	M	503 86 36-01	F	537 06 04-01	L		
503 21 38-01	J	503 86 37-71	J	537 06 07-01	L		
503 21 39-01	H	503 86 62-01	G	537 06 91-01	B		
503 21 51-01	H	503 86 63-01	G	537 07 12-01	H		
503 21 55-25	L N	503 86 64-01	G	537 07 54-02	F		
503 21 70-10	A	503 86 92-01	H	537 08 00-01	B		
503 21 70-16	P,Q	503 86 93-01	H	537 08 90-01	A		
503 21 74-12	B,H	503 86 95-02	G	537 09 25-01	M		
503 21 74-32	Q	503 86 96-01	G	537 09 31-01	M		
503 21 74-50	G	503 86 97-01	G	537 10 27-02	M		
503 21 75-12	H	503 86 98-71	D	537 10 47-02	M		
503 21 75-20	Q	503 87 54-01	H	537 10 55-01	B		
503 21 77-16	M	503 87 56-01	H	537 10 78-01	A		
503 21 88-16	K	503 87 63-01	Q	537 10 80-01	A		
503 21 88-25	J,K	503 88 44-01	N	537 11 05-01	B		
503 22 00-01	A	503 88 63-01	H	537 14 65-01	H		
503 22 04-01	L	503 88 86-01	H	537 15 27-01	A		
503 23 00-60	B	503 88 92-01	G	537 15 28-01	A		
503 23 51-08	D	503 89 06-01	M	537 16 21-01	L		
503 25 20-02	E	503 89 07-02	Q	537 17 19-03	H		
503 25 52-01	B	503 89 08-02	A	537 17 59-01	N		
503 26 09-01	E	503 89 15-01	B	537 17 60-01	N		
503 26 30-17	J	503 89 16-01	B	537 17 61-01	N		
503 28 32-07	G,N	503 89 21-02	B	537 17 62-01	N		
503 28 32-08	G,N EPA	503 89 24-01	H	537 17 63-01	N		
503 28 90-05	D	503 89 29-01	A	537 17 64-01	N		
503 28 90-11	D	503 89 30-02	A	537 17 66-01	N		
503 43 65-01	H	503 89 44-01	D	537 17 67-01	N		
503 44 32-01	J	503 89 47-01	H	537 17 68-01	N		
503 46 59-01	A	503 89 50-01	L	537 17 69-01	N		
503 47 90-01	N	503 89 66-03	H	537 17 73-01	N		
503 47 96-01	N	503 89 83-01	K	537 17 75-01	N		
503 48 00-01	N	503 89 87-02	L	537 17 76-01	N		
503 48 01-01	N	503 90 31-01	N	537 17 77-01	N		
503 48 05-01	N	503 90 32-01	N	537 17 78-01	N		
503 48 08-01	N	503 90 33-01	N	537 17 79-01	N		
503 48 11-01	N	503 90 34-01	N	537 17 85-01	N		
503 48 18-01	N	503 90 39-01	H	537 18 99-01	L		
503 48 19-01	N	503 90 56-01	H	537 22 36-02	D		
503 52 36-01	N	503 90 59-01	H	537 23 71-01	N		
503 53 56-01	N	503 90 71-01	K	537 23 72-01	N		
503 53 57-01	N	503 90 73-71	D	537 24 65-01	G		
503 54 39-01	M	503 90 90-02	C	537 25 31-02	D		
503 55 85-01	P	503 90 93-01	K	537 26 46-01	G		
503 55 86-01	P	503 90 93-03	K	537 26 49-01	G		
503 55 86-02	P	503 92 24-01	K	537 26 49-02	G		
503 57 76-02	J	503 92 58-01	K	537 26 49-03	G		
503 57 89-01	H,J	503 92 61-01	J	537 26 63-01	N		
503 60 04-01	J	503 92 95-01	A	537 26 66-01	N		
503 61 66-01	N	503 93 04-01	H	537 26 67-01	N		

1 = 537 17 79-01  
2 = 503 94 28-02

Set of gaskets, Dichtungssatz,  
Jeu de joints, Juego de juntas,  
Packningsatts

N = New part, Neues teil,  
Nouvelle piece, Nueva pieza  
Ny detalj

EPA = Environmental Protection Agency  
(for USA only)