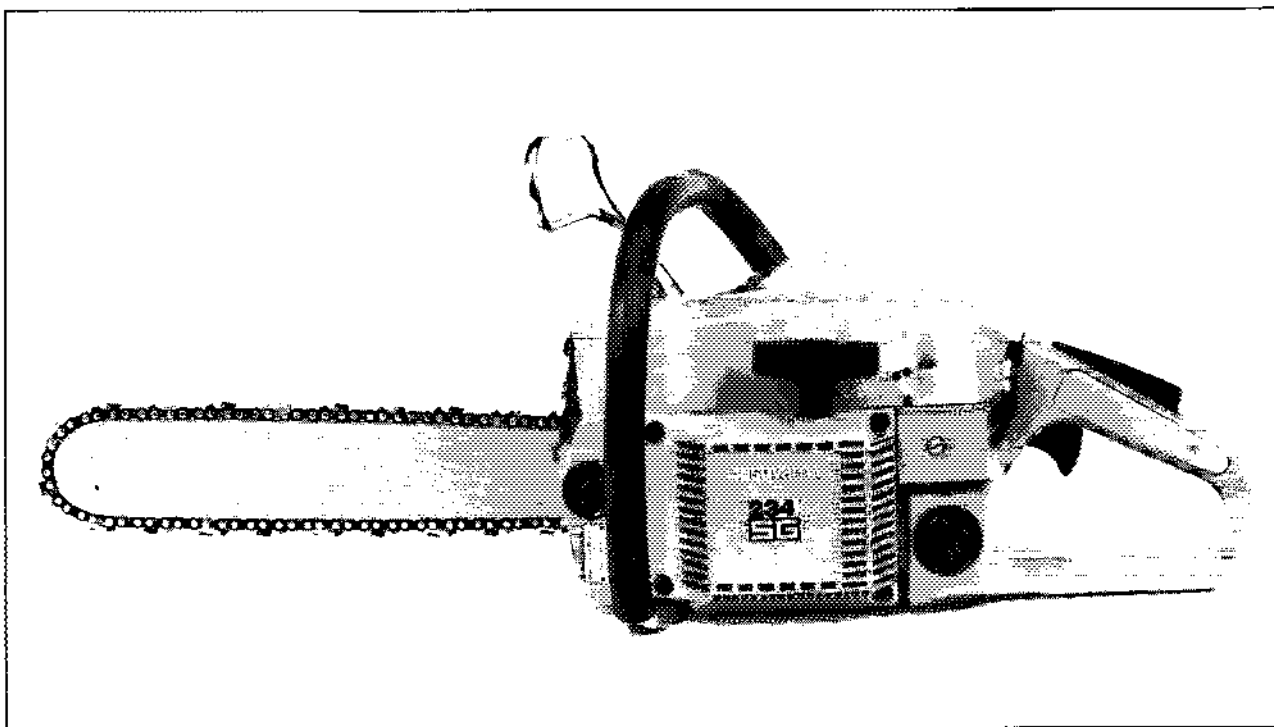


234



1. 1984

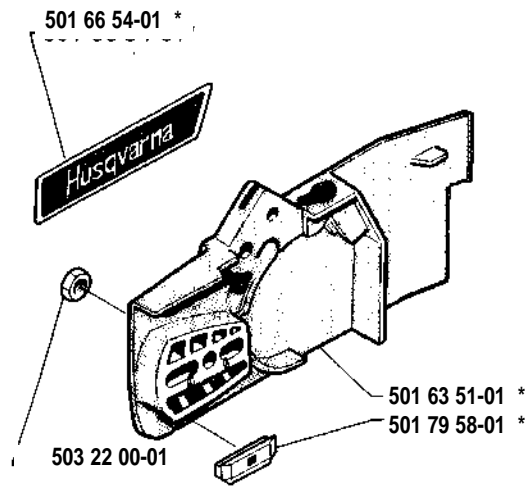
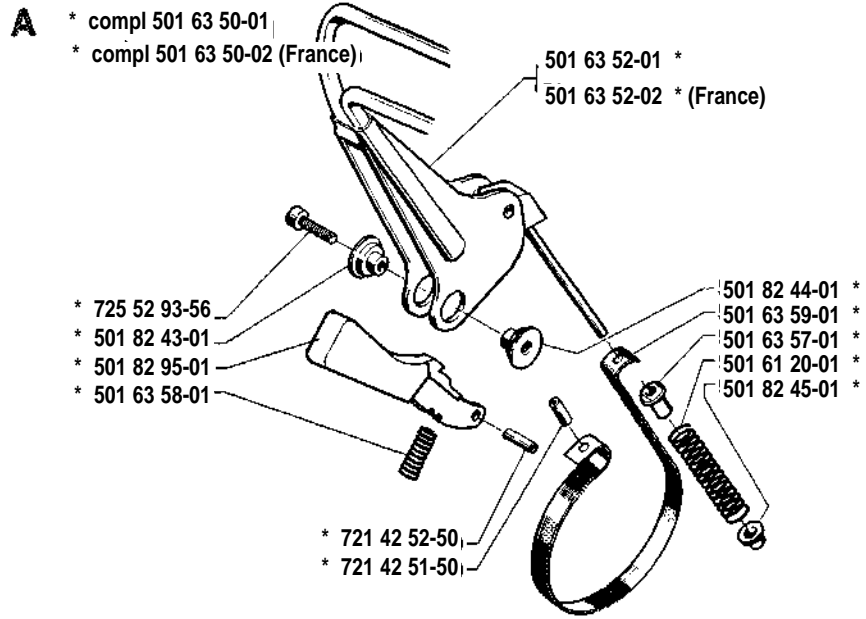
Reservdelar

Spare parts

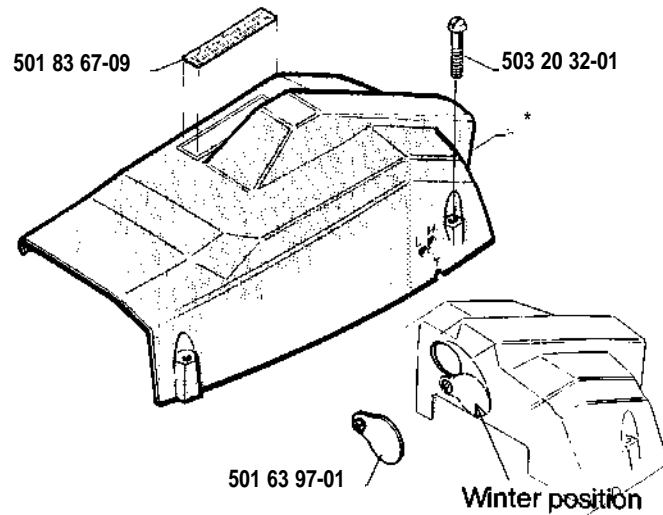
Ersatzteile

Pièces de rechange

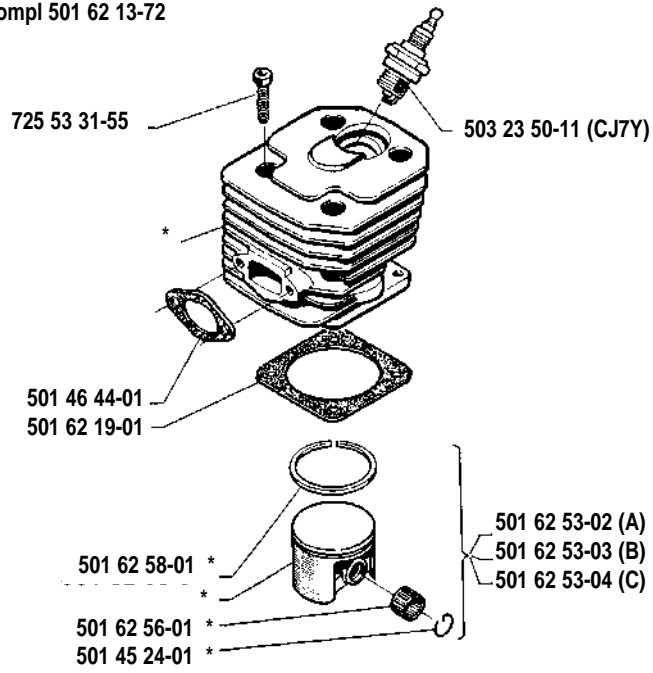
| Beställn.-nummer Part number Best. Nr No de commande Varaosä n:ro | Ruta Box Viereck Carreau Index | Anm. Remarks Anm. Notes Huom | Beställn.-nummer Part number Best. Nr No de commande Varaosä n:ro | Ruta Box Viereck Carreau Index | Anm. Remarks Anm. Notes Huom | Beställn.-nummer Part number Best. nr No de commande Varaosä n:ro | Ruta Box Viereck Carreau Index | Anm. Remarks Anm. Notes Huom |
|---|--|--|---|--|--|---|--|--|
| 501 07 20-01 | O | | 501 63 06-01 | L | | 501 83 44-01 | O | |
| 501 07 21-07 | O | | 501 63 15-01 | J | | 501 83 52-01 | J | |
| 501 09 12-01 | N | | 501 63 24-01 | K | | 501 83 53-01 | E | |
| 501 09 13-01 | N | | 501 63 26-01 | K | | 501 83 54-01 | E | |
| 501 21 66-07 | C | | 501 63 29-01 | K | | 501 83 56-01 | E | |
| 501 28 41-01 | H | | 501 63 32-01 | K | | 501 83 58-02 | D | |
| 501 43 00-01 | J | | 501 63 33-01 | K | | 501 83 67-09 | B | |
| 501 45 24-01 | C | | 501 63 37-01 | K | | 501 83 68-01 | D, M | |
| 501 45 27-01 | J | | 501 63 38-01 | K | | 501 83 71-01 | L | |
| 501 45 41-01 | J | | 501 63 39-01 | J | | 501 83 75-01 | L | |
| 501 45 43-01 | J | | 501 63 40-02 | B | | 501 83 76-01 | L | |
| 501 45 52-01 | H | | 501 63 44-01 | K | | 501 83 85-01 | M | |
| 501 45 66-01 | D | | 501 63 48-01 | K | | 501 83 86-01 | M | |
| 501 45 74-01 | H | | 501 63 50-01 | A | | 501 83 88-01 | E | |
| 501 46 09-03 | L | | 501 63 50-02 | A | For France | 501 83 89-01 | H | |
| 501 46 44-01 | C | | 501 63 51-01 | A | | 501 83 93-01 | J | |
| 501 46 69-01 | M | | 501 63 52-01 | A | | 501 83 94-01 | J | |
| 501 46 84-01 | M | | 501 63 52-02 | A | For France | 501 83 97-01 | K | |
| 501 46 85-01 | M | | 501 63 57-01 | A | | 501 83 98-01 | K | |
| 501 46 86-01 | M | | 501 63 58-01 | A | | 501 87 26-01 | E | |
| 501 46 87-01 | M | | 501 63 59-01 | A | | 501 87 31-01 | E | |
| 501 46 88-01 | M | | 501 63 60-03 | H | | 501 87 35-01 | O | |
| 501 46 96-01 | M | | 501 63 66-01 | H | | 501 87 38-01 | J | |
| 501 46 97-01 | M | | 501 63 86-01 | F | | 501 87 65-01 | H | |
| 501 48 54-01 | K | | 501 63 87-01 | F | | 501 87 76-01 | E | |
| 501 48 56-01 | K | | 501 63 89-01 | F | | 503 20 00-02 | F | |
| 501 49 24-03 | K | | 501 63 97-01 | B | | 503 20 00-23 | K | |
| 501 49 27-01 | K | | 501 66 48-01 | H | | 503 20 21-05 | D | |
| 501 49 75-01 | K | | 501 66 49-01 | H | | 503 20 32-01 | B | |
| 501 49 78-01 | H | | 501 66 54-01 | A | | 501 20 84-01 | D | |
| 501 53 82-02 | F | | 501 66 61-01 | M | | 503 22 00-01 | A | |
| 501 54 41-02 | H | | 501 66 62-01 | M | | 503 22 20-01 | F | |
| 501 54 63-01 | J | | 501 66 63-01 | M | | 503 23 00-01 | K | |
| 501 55 14-01 | L | | 501 66 65-01 | M | | 503 23 00-04 | H | |
| 501 56 05-01 | J | | 501 66 67-01 | M | | 503 23 00-11 | L | |
| 501 58 02-01 | O | | 501 66 68-01 | M | | 503 23 26-02 | D | |
| 501 58 36-01 | H | | 501 66 69-01 | M | | 503 23 50-11 | C | |
| 501 58 39-01 | H | | 501 66 70-01 | M | | 503 26 02-02 | J | |
| 501 59 40-01 | G | | 501 66 71-01 | M | | 503 26 30-11 | E | |
| 501 59 74-01 | E | | 501 66 72-01 | M | | 504 14 00-08 | M | |
| 501 60 02-02 | N | | 501 66 73-01 | M | | 504 21 00-48 | M | |
| 501 60 78-01 | F | | 501 66 75-01 | M | | 504 22 00-15 | M | |
| 501 61 20-01 | A | | 501 66 76-01 | M | | 504 86 04-08 | M | |
| 501 61 49-01 | G | | 501 66 77-01 | M | | 505 52 01-15 | M | |
| 501 61 58-01 | H | | 501 66 78-01 | M | | 505 52 01-25 | M | |
| 501 62 05-60 | J | | 501 66 79-01 | M | | 505 69 81-00 | O | |
| 501 62 08-01 | J | | 501 66 80-01 | M | | 720 12 40-20 | E | |
| 501 62 13-72 | C | | 501 66 82-01 | M | | 720 12 42-20 | E | |
| 501 62 19-01 | C | | 501 66 83-01 | M | | 720 13 07-10 | J | |
| 501 62 20-01 | D | | 501 66 84-01 | M | | 721 42 51-50 | A | |
| 501 62 21-01 | D | | 501 66 91-01 | D | | 721 42 52-50 | A | |
| 501 62 22-01 | D | | 501 66 93-01 | H | | 723 12 22-55 | K | |
| 501 62 26-01 | D | | 501 67 27-01 | H | | 723 23 28-85 | L | |
| 501 62 32-01 | D | | 501 67 32-01 | K | | 723 23 32-85 | L | |
| 501 62 33-01 | J | | 501 67 33-02 | N | | 723 52 24-01 | E | |
| 501 62 35-01 | H | | 501 68 89-01 | N | | 723 52 87-01 | J | |
| 501 62 43-01 | H | | 501 69 17-01 | N | | 725 23 45-85 | F | |
| 501 62 47-01 | G | | 501 76 35-01 | E | | 725 52 91-55 | K | |
| 501 62 53-02 | C | | 501 76 83-07 | E | | 725 52 93-56 | A | |
| 501 62 53-03 | C | | 501 79 25-01 | D | | 725 53 23-05 | E | |
| 501 62 53-04 | C | | 501 79 28-01 | F | | 725 53 25-56 | L | |
| 501 62 56-01 | C, G | | 501 79 51-01 | K | | 725 53 27-55 | J | |
| 501 62 58-01 | C | | 501 79 52-01 | E | | 725 53 29-55 | J, K | |
| 501 62 66-01 | J | | 501 79 58-01 | A | | 725 53 31-55 | C, J | |
| 501 62 68-01 | J | | 501 79 59-01 | M | | 725 53 33-55 | J | |
| 501 62 81-01 | J | | 501 79 64-01 | D | | 725 53 37-55 | J | |
| 501 62 86-01 | D | | 501 79 77-01 | O | | 725 53 39-55 | J | |
| 501 62 87-01 | E | | 501 80 98-01 | E | | 729 22 21-01 | K | |
| 501 62 89-01 | E | | 501 81 27-01 | K | | 729 22 23-01 | L | |
| 501 62 90-01 | K | | 501 81 28-01 | K | | 729 24 51-01 | K | |
| 501 62 90-02 | K | | 501 81 35-01 | K | | 731 23 10-01 | K | |
| 501 62 93-01 | K | | 501 81 96-01 | E | | 731 23 18-01 | K | |
| 501 62 95-01 | J | | 501 82 23-01 | E | | 731 43 14-01 | J | |
| 501 62 96-01 | E | | 501 82 25-01 | M | | 734 11 46-01 | J | |
| 501 63 01-01 | L | | 501 82 43-01 | A | | 735 88 04-00 | G | |
| 501 63 02-01 | L | | 501 82 44-01 | A | | 738 22 01-25 | G | |
| 501 63 03-01 | L | | 501 82 45-01 | A | | | | |
| 501 63 05-01 | L | | 501 82 92-01 | A | | | | |



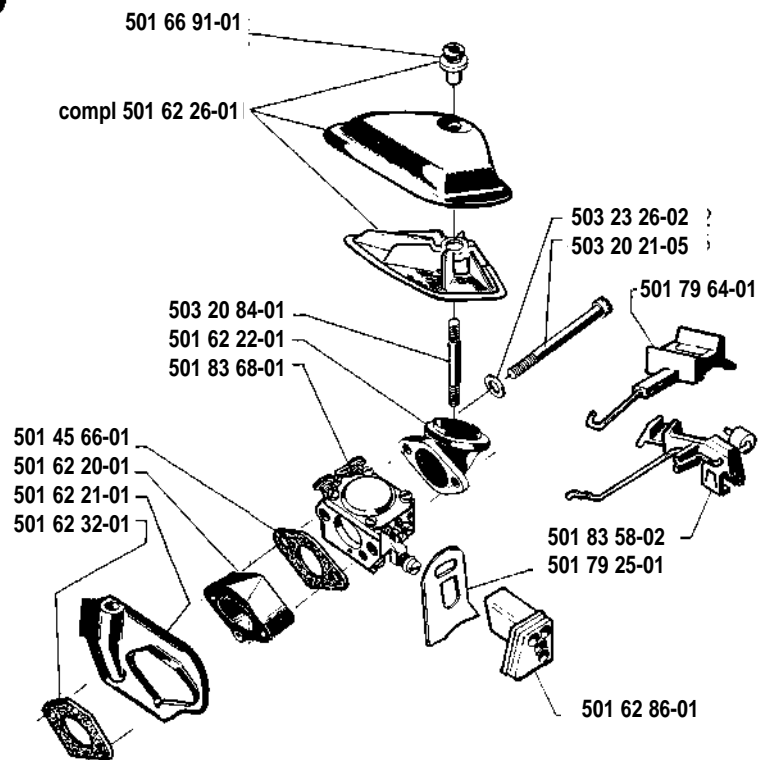
B * compl 501 63 40-02



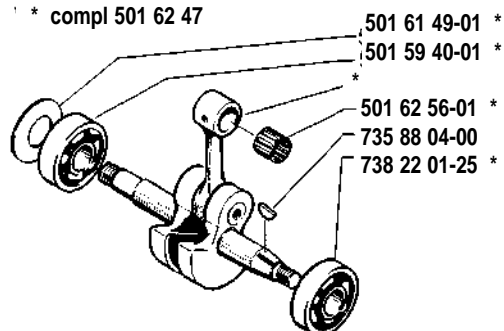
C * compl 501 62 13-72

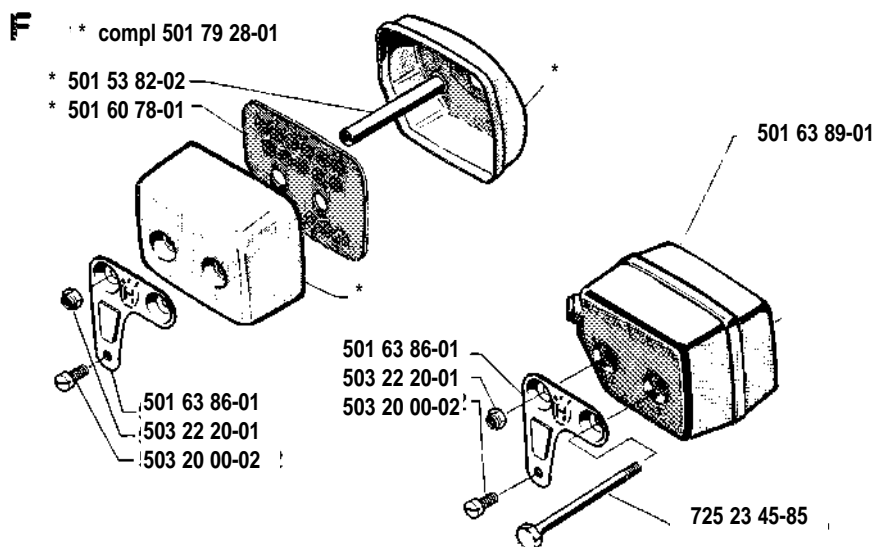
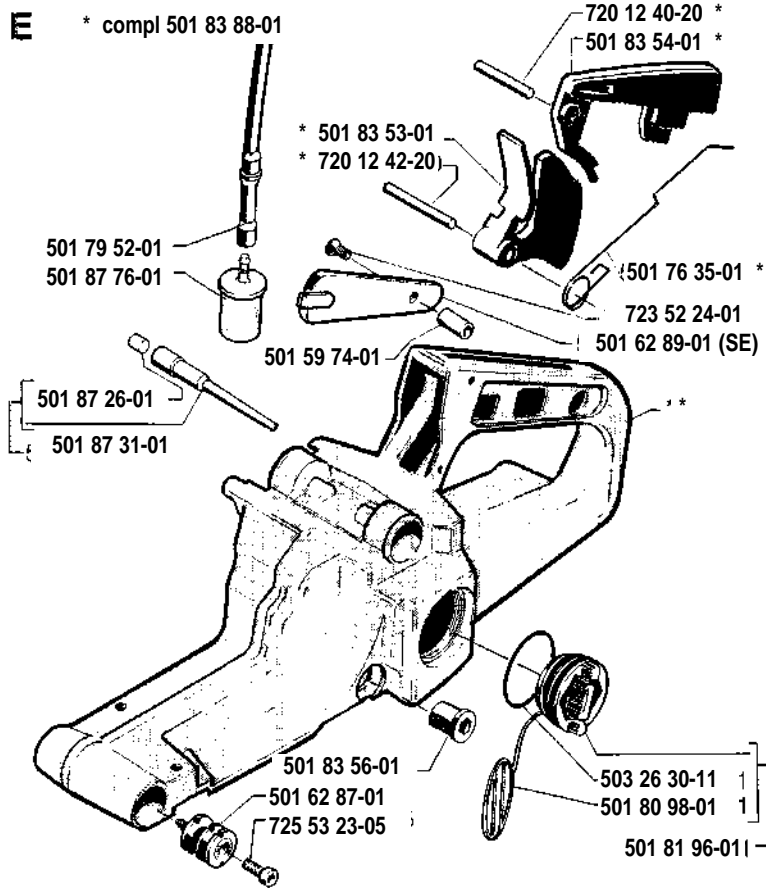


D

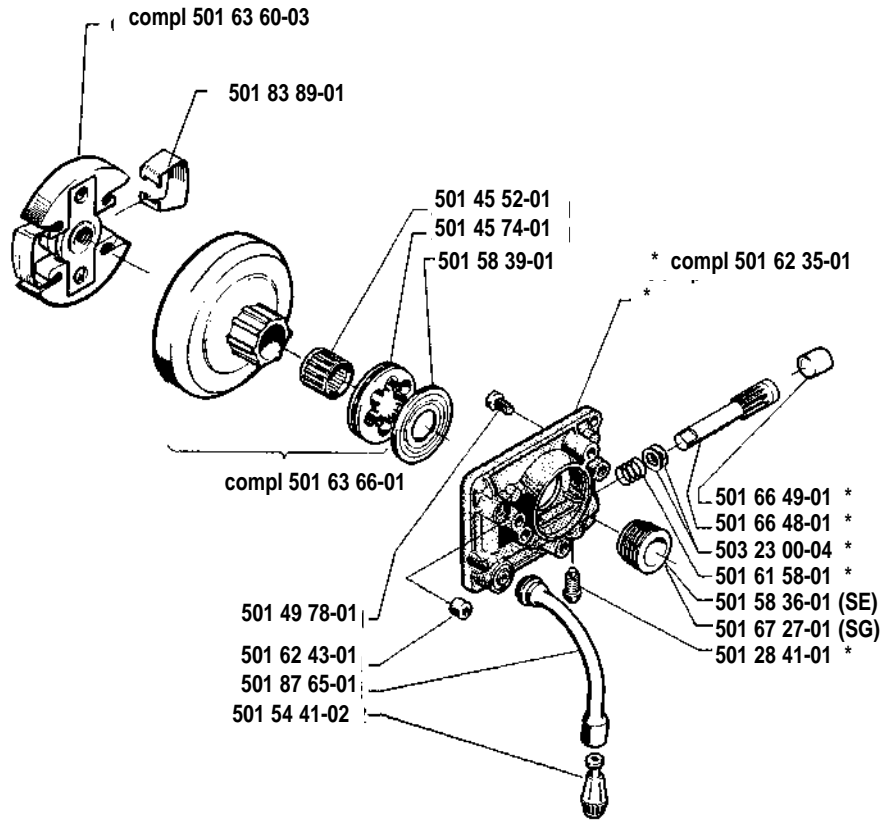


G * compl 501 62 47



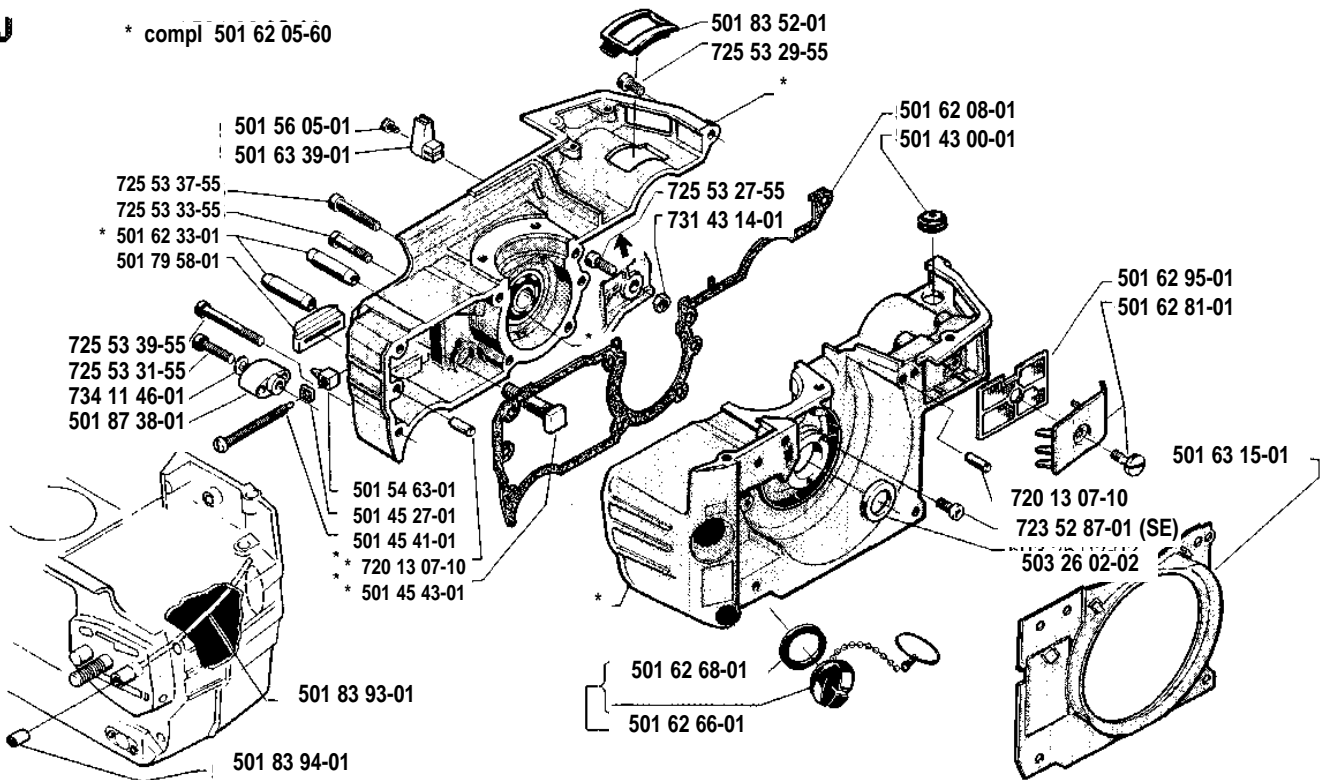


H

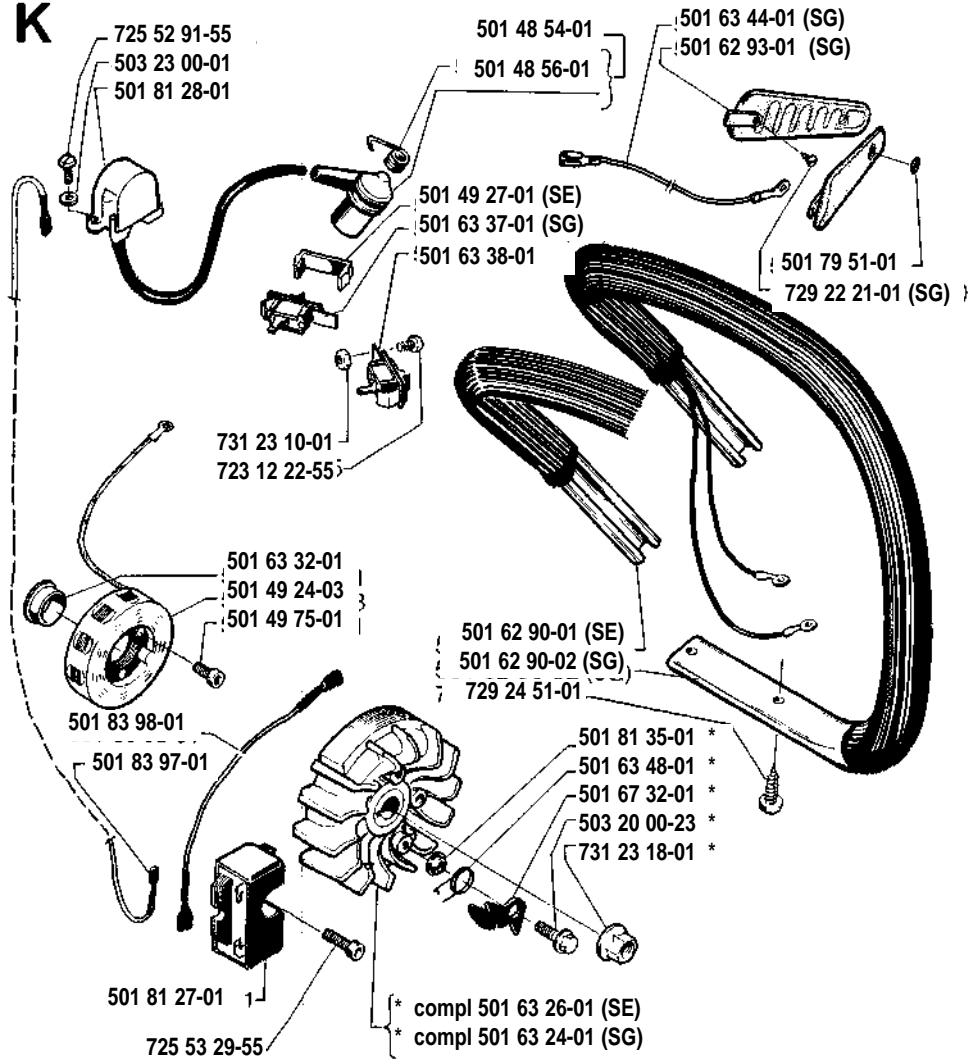


J

* compl 501 62 05-60

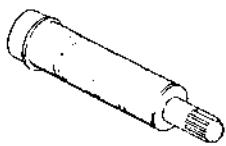
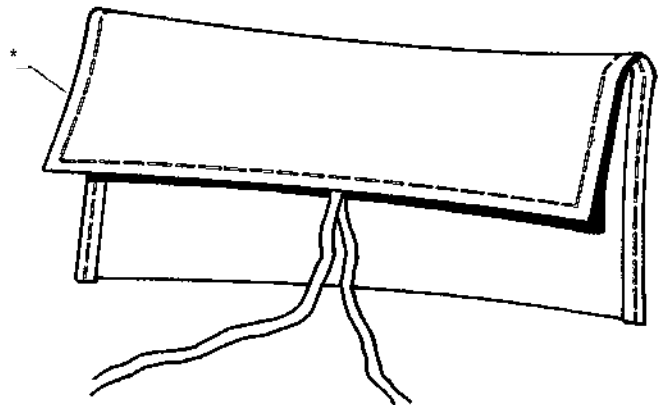


K



N * compl 501 67 33-02

**Tillbehör
Accessories
Zubehöre
Accessoires
Accesorios
Pomůcky**



* 501 09 13-01



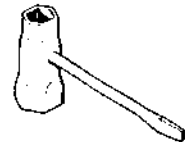
* 501 09 12-01



* 501 60 02-02

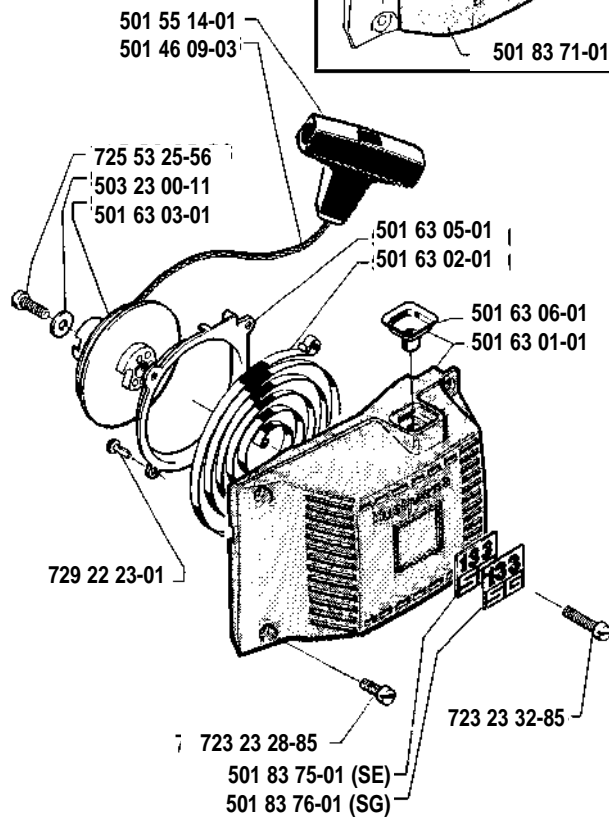
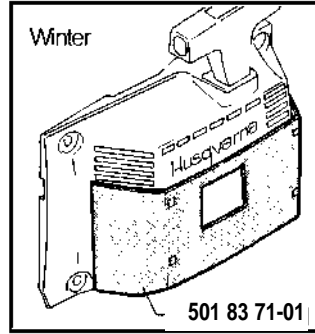


* 501 68 89-01



* 501 69 17-01

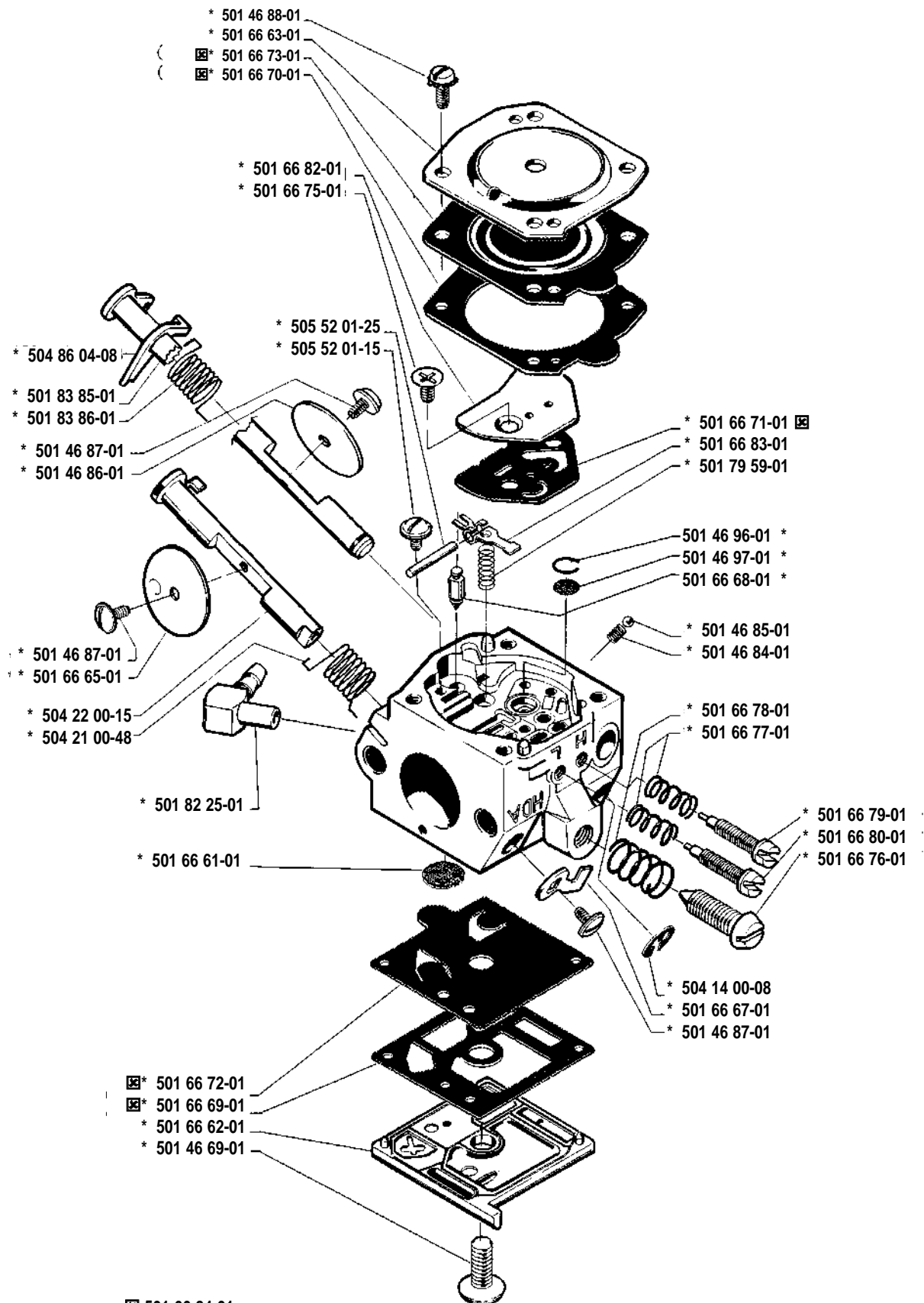
L



M

* compl 501 83 68-01

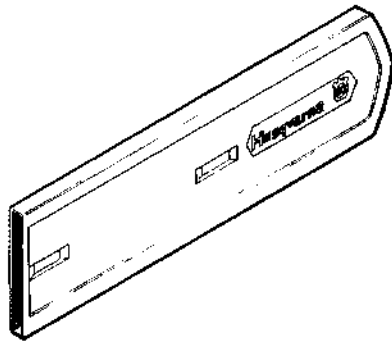
Walbro HDA-12



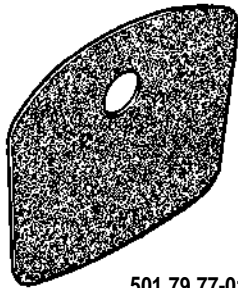
☐ 501 66 84-01
 Packningssats
 Set of gaskets
 Dichtungssatz
 Jeu de joints



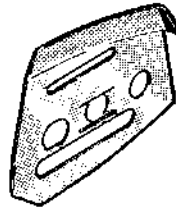
Leveras endast som reservdel
Delivery as spare part only
Nur als Ersatzteil lieferbar
Livable seulement comme pièce de rechange
Solo como repuesto



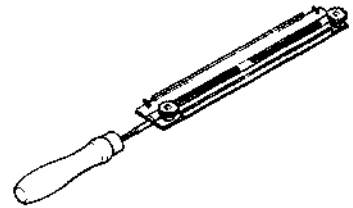
501 83 44-01
(13"-15"-16")



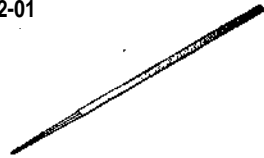
501 79 77-01
Robkotlok



501 87 35-01



501 58 02-01



501 07 21-07 (4,4mmx8)



501 07 20-01 (6")



505 69 81-00