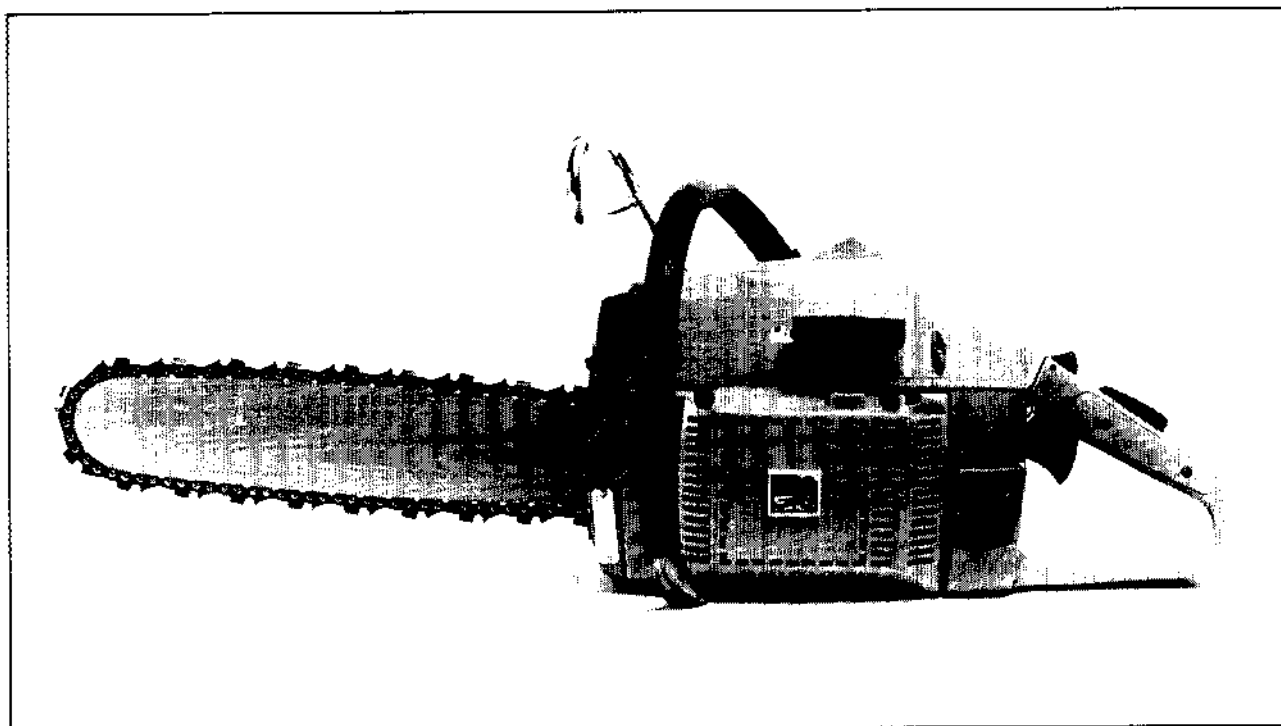


162



1. 1981

Reservdelar

Spare parts

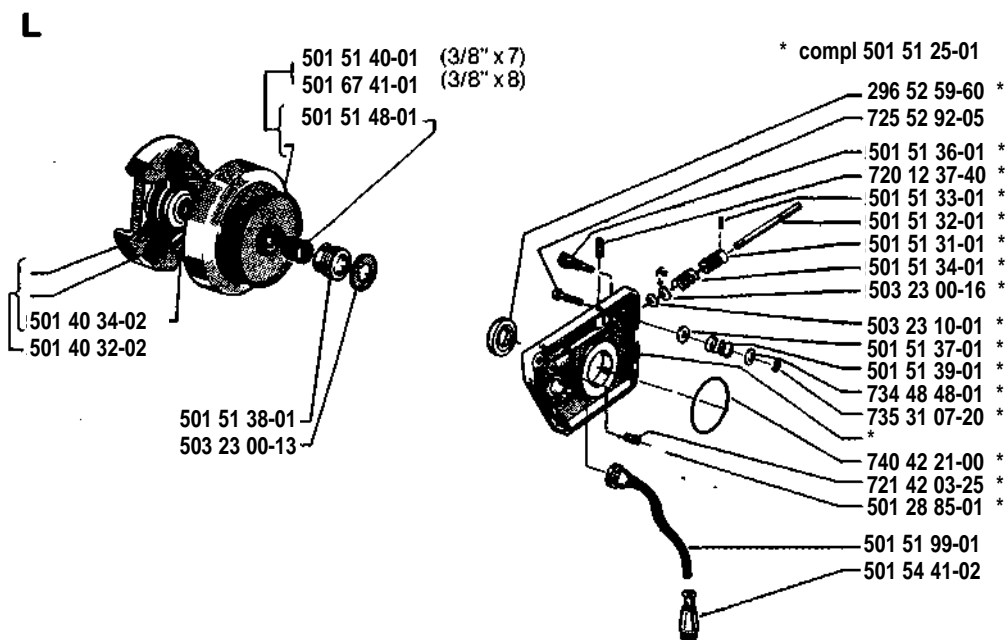
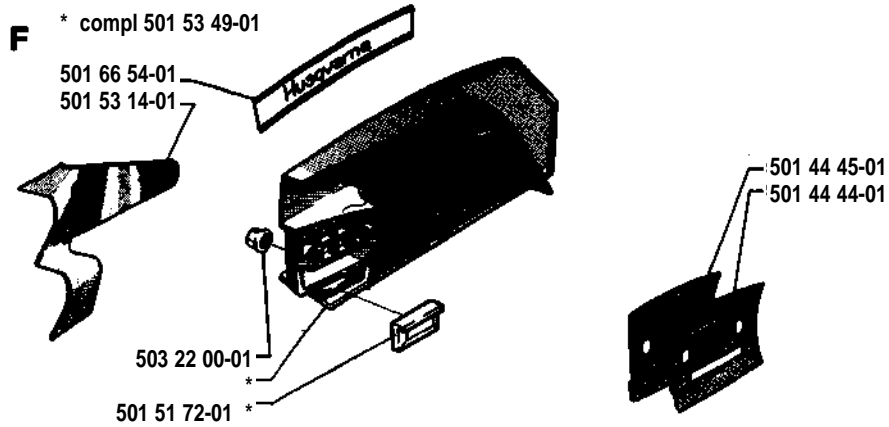
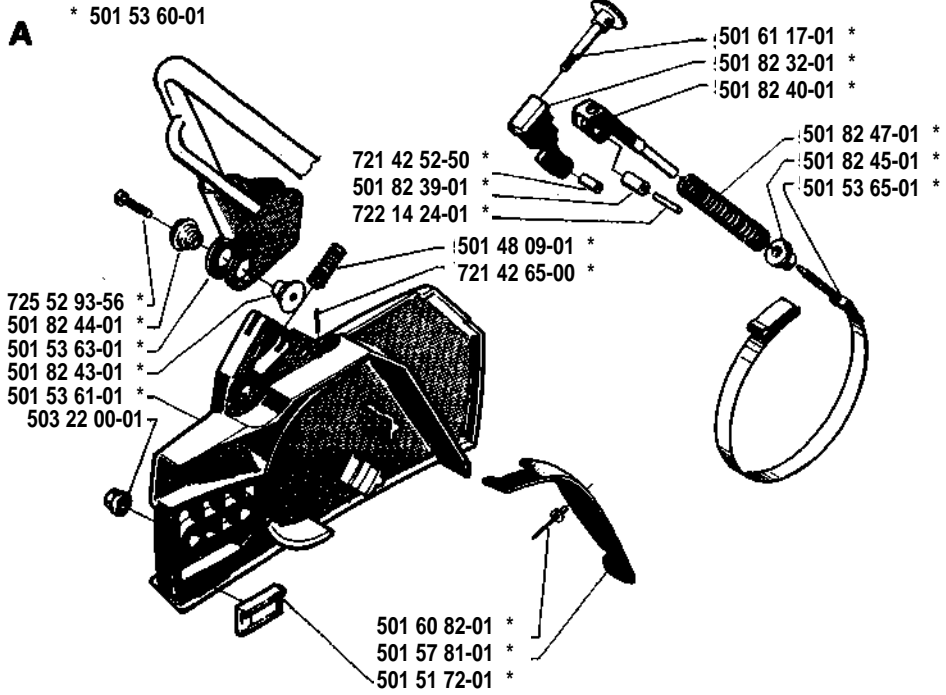
Ersatzteile

Pièces de rechange

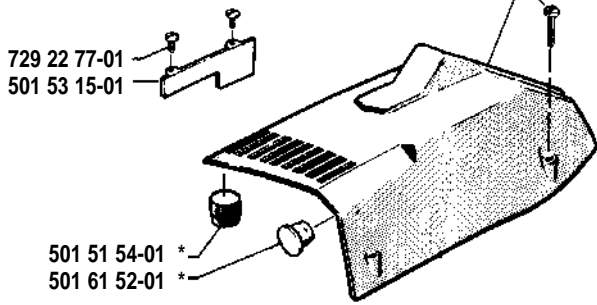
| Beställn.-nummer Part number Best. Nr No de commande | Ruta Box Viereck Carreau | Anm. Remarks Ann. Notes | Beställn.-nummer Part number Best. Nr No de commande | Ruta Box Viereck Carreau | Anm. Remarks Ann. Notes | Beställn.-nummer Part number Best. nr No de commande | Ruta Box Viereck Carreau | Anm. Remarks Ann. Notes |
|---|-----------------------------------|----------------------------------|---|-----------------------------------|----------------------------------|---|-----------------------------------|----------------------------------|
| 296 52 59-60 | L | | 501 51 78-01 | N | | 501 82 17-01 | O | |
| 501 05 64-01 | C | | 501 51 80-01 | E | | 501 82 18-01 | O | |
| 501 07 20-01 | P | | 501 51 81-01 | E | | 501 82 23-01 | O | |
| 501 07 21-01 | P | | 501 51 87-04 | N | | 501 82 26-01 | O | |
| 501 08 17-01 | J | | 501 51 87-05 | N | | 501 82 32-01 | A | |
| 501 09 12-01 | P | | 501 51 96-01 | N | | 501 82 39-01 | A | |
| 501 09 13-01 | P | | 501 51 97-01 | E | | 501 82 40-01 | A | |
| 501 20 15-02 | K | | 501 51 98-01 | L | | 501 82 43-01 | A | |
| 501 20 17-01 | K | | 501 52 00-02 | K | | 501 82 44-01 | A | |
| 501 21 66-02 | C | | 501 52 01-02 | K | | 501 82 45-01 | A | |
| 501 22 00-01 | O | | 501 52 01-03 | R | | 501 82 47-01 | A | |
| 501 22 01-01 | O | | 501 52 04-01 | K | | 501 84 40-01 | A | |
| 501 22 02-02 | O | | 501 52 07-01 | K | | 501 90 27-01 | R | |
| 501 22 03-03 | O | | 501 52 15-05 | G | | 501 90 28-01 | R | |
| 501 22 04-01 | O | | 501 52 15-06 | G | | 501 90 29-01 | R | |
| 501 22 05-01 | O | | 501 52 25-03 | C | ① | 501 90 30-01 | R | |
| 501 22 08-01 | O | | 501 52 29-01 | E | | 501 90 31-01 | R | |
| 501 22 09-01 | O | | 501 52 38-01 | K | | 501 90 32-01 | R | |
| 501 22 10-01 | O | | 501 52 39-01 | K | | 501 90 34-01 | R | |
| 501 22 11-01 | O | | 501 52 40-01 | B | | 501 90 36-01 | R | |
| 501 22 12-01 | O | | 501 52 40-03 | R | | 501 90 37-01 | R | |
| 501 22 13-01 | O | | 501 52 43-03 | D | | 501 90 38-01 | R | |
| 501 22 14-01 | O | | 501 52 47-01 | D | | 501 90 39-01 | R | |
| 501 22 15-01 | O | | 501 52 53-01 | N | | 501 90 40-01 | R | |
| 501 22 17-01 | O | | 501 52 61-02 | J | | 501 90 41-01 | R | |
| 501 22 20-01 | O | | 501 52 62-01 | M | | 501 90 50-02 | R | |
| 501 22 21-01 | O | | 501 52 66-01 | N | | 501 90 53-01 | R | |
| 501 22 22-01 | O | | 501 52 70-02 | N | | 501 90 55-01 | R | |
| 501 22 23-01 | O | | 501 52 74-02 | J | | 501 90 56-01 | R | |
| 501 22 24-01 | O | | 501 52 77-01 | DO | | 501 90 57-01 | R | |
| 501 22 25-01 | O | | 501 52 78-01 | M | | 501 90 58-01 | R | |
| 501 22 30-01 | O | | 501 52 79-01 | M | | 501 90 66-01 | R | |
| 501 22 32-01 | O | | 501 52 81-01 | M | | 501 90 67-01 | R | |
| 501 23 88-01 | O | | 501 52 82-01 | N | | 501 90 68-01 | R | |
| 501 25 09-01 | D | ① | 501 52 84-01 | H | | 501 90 69-01 | R | |
| 501 26 85-01 | O | | 501 52 86-01 | E | | 501 90 72-01 | R | |
| 501 26 89-01 | O | | 501 52 88-01 | E | | 501 90 73-01 | R | |
| 501 26 90-01 | O | | 501 52 89-01 | M | | 501 90 74-01 | R | |
| 501 27 13-02 | J | | 501 52 95-02 | K | | 501 90 75-01 | R | |
| 501 27 37-01 | B | | 501 53 02-01 | N | | 502 01 22-01 | O | |
| 501 27 63-01 | E | | 501 53 05-01 | E | | 502 50 75-01 | P | |
| 501 27 82-01 | E | | 501 53 11-01 | M | | 503 20 00-01 | N | |
| 501 28 59-01 | E | | 501 53 12-01 | N | | 503 20 30-02 | R | |
| 501 28 85-01 | L | | 501 53 14-01 | F | | 503 20 00-03 | G | |
| 501 28 92-01 | D | | 501 53 15-01 | B | | 503 20 40-02 | N | |
| 501 29 65-01 | M | | 501 53 18-01 | E | | 503 20 40-06 | K | |
| 501 29 66-01 | M | | 501 53 49-01 | F | | 503 20 80-02 | C | |
| 501 30 65-01 | M | | 501 53 53-01 | G | | 503 20 80-04 | C | |
| 501 40 32-02 | L | | 501 53 56-01 | G | | 503 20 80-06 | D | |
| 501 40 34-02 | L | | 501 53 60-01 | A | | 503 21 60-01 | C | |
| 501 42 41-01 | E | | 501 53 61-01 | A | | 503 22 00-01 | AF | |
| 501 42 71-01 | O | | 501 53 63-01 | A | | 503 22 10-02 | J | |
| 501 43 14-01 | P | | 501 53 65-01 | A | | 503 22 20-01 | C | |
| 501 44 24-01 | P | | 501 53 66-02 | CR | | 503 23 00-01 | J | |
| 501 44 24-02 | P | | 501 53 66-03 | CR | | 503 23 00-08 | J | |
| 501 44 44-01 | F | | 501 53 66-04 | CR | | 503 23 00-06 | J | |
| 501 44 45-01 | F | | 501 53 68-01 | CR | | 503 23 00-13 | L | |
| 501 45 85-01 | M | | 501 53 71-01 | M | | 503 23 00-16 | L | |
| 501 48 09-01 | A | | 501 53 79-01 | M | | 503 23 10-01 | L | |
| 501 48 54-01 | J | | 501 53 80-01 | N | | 503 27 80-01 | H | |
| 501 48 55-01 | J | | 501 53 82-01 | G | | 720 12 37-40 | L | |
| 501 48 56-01 | J | | 501 54 41-02 | L | | 720 13 07-10 | M | |
| 501 49 48-02 | O | | 501 55 14-01 | K | | 721 41 65-00 | A | |
| 501 49 78-01 | N | | 501 55 21-01 | O | | 721 42 03-25 | A | |
| 501 51 02-01 | M | | 501 55 60-01 | K | | 721 42 08-25 | L | |
| 501 51 05-01 | M | ① | 501 56 41-01 | M | | 721 42 52-50 | A | |
| 501 51 07-01 | C | | 501 57 61-01 | O | | 722 14 24-01 | A | |
| 501 51 13-01 | CH | | 501 57 81-01 | A | | 723 12 24-01 | R | |
| 501 51 18-02 | D | | 501 58 02-01 | P | | 723 23 29-85 | K | |
| 501 51 19-01 | D | ① | 501 58 42-01 | M | | 725 52 92-05 | L | |
| 501 51 20-01 | D | | 501 58 53-01 | G | | 725 52 92-06 | JN | |
| 501 51 22-01 | CR | | 501 60 11-02 | C | | 725 52 93-56 | A | |
| 501 51 25-01 | L | | 501 60 82-01 | A | | 725 53 25-56 | G | |
| 501 51 31-01 | L | | 501 60 84-01 | G | | 725 53 27-55 | EM | |
| 501 51 32-01 | L | | 501 61 17-01 | A | | 725 53 35-55 | D | |
| 501 51 33-01 | L | | 501 61 52-01 | B | | 725 53 29-55 | M | |
| 501 51 34-01 | L | | 501 61 72-01 | J | | 725 53 29-56 | J | |
| 501 51 36-01 | L | | 501 61 73-01 | J | | 725 53 37-55 | M | |
| 501 51 37-01 | L | | 501 61 86-01 | G | | 725 53 41-55 | DM | |
| 501 51 38-01 | L | | 501 62 96-01 | E | | 729 22 19-01 | MN | |
| 501 51 39-01 | L | | 501 66 54-01 | F | | 729 22 75-05 | K | |
| 501 51 40-01 | L | | 501 67 29-01 | G | | 729 22 77-01 | B | |
| 501 51 48-01 | L | | 501 67 32-01 | J | | 734 11 48-01 | J | |
| 501 51 54-01 | B | | 501 67 35-01 | J | | 734 48 48-01 | L | |
| 501 51 61-01 | J | | 501 67 41-01 | L | | 734 48 51-01 | N | |
| 501 51 62-01 | J | | 501 67 96-01 | J | | 735 11 24-01 | N | |
| 501 51 64-01 | N | | 501 68 65-01 | C | | 735 31 07-20 | LR | |
| 501 51 72-01 | AFM | | 501 82 14-01 | R | | 738 22 02-25 | H | |
| 501 51 73-01 | M | | 501 82 15-01 | R | | 740 42 21-00 | LN | |

①=50 15 226-01

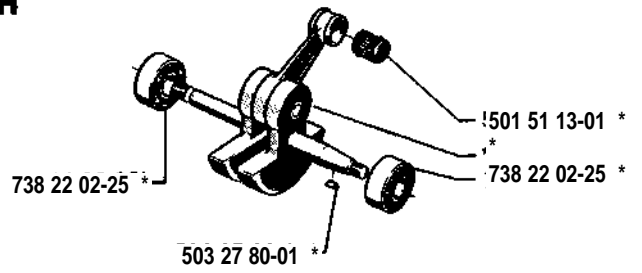
Packingsaatz
Set of gaskets
Dichtungssatz
Jeu de joints



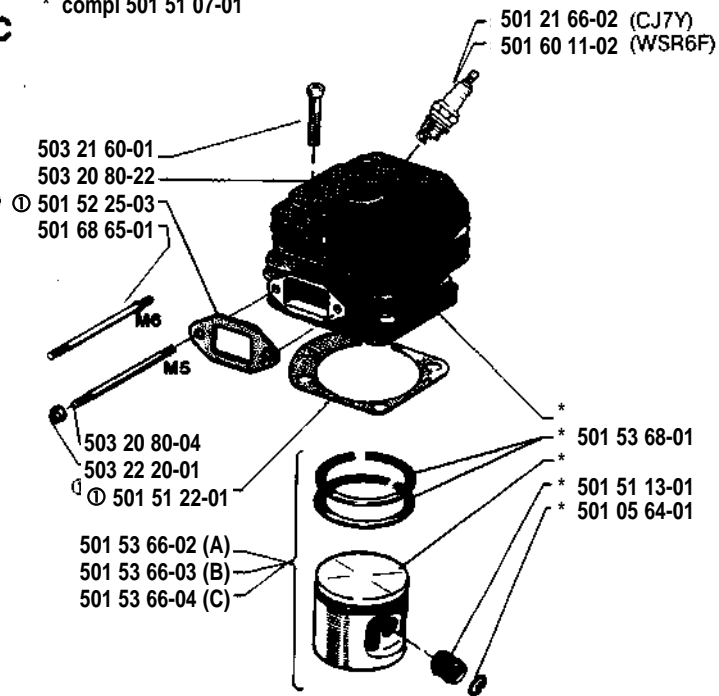
B * compl 501 52 40-01



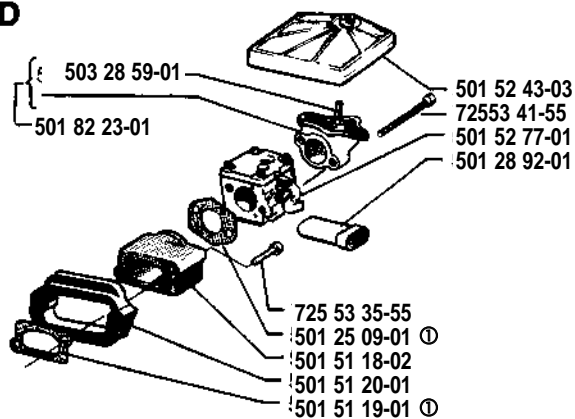
H * compl 501 52 84-01



C * compl 501 51 07-01



D



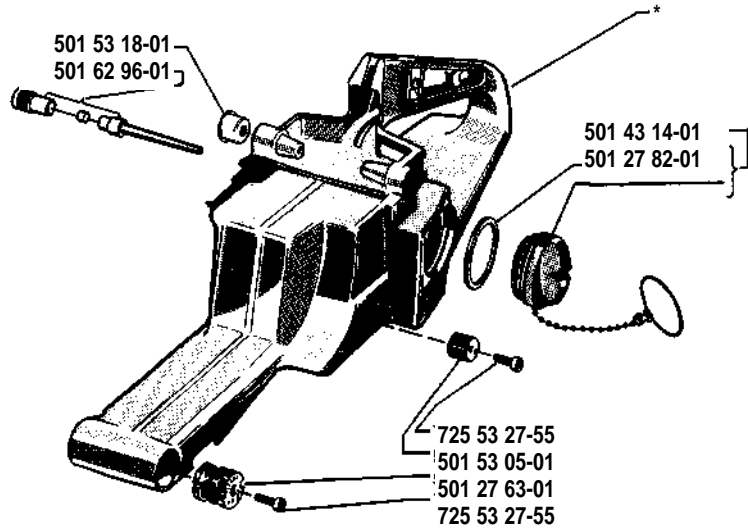
E

* compl 501 52 86-01

501 28 59-01
501 82 23-01

* 721 42 09-25
* 501 52 29-01
* 501 52 88-01
* 501 51 97-01

501 51 81-01 *
721 42 09-25 *
501 42 41-01 *
501 51 80-01 *



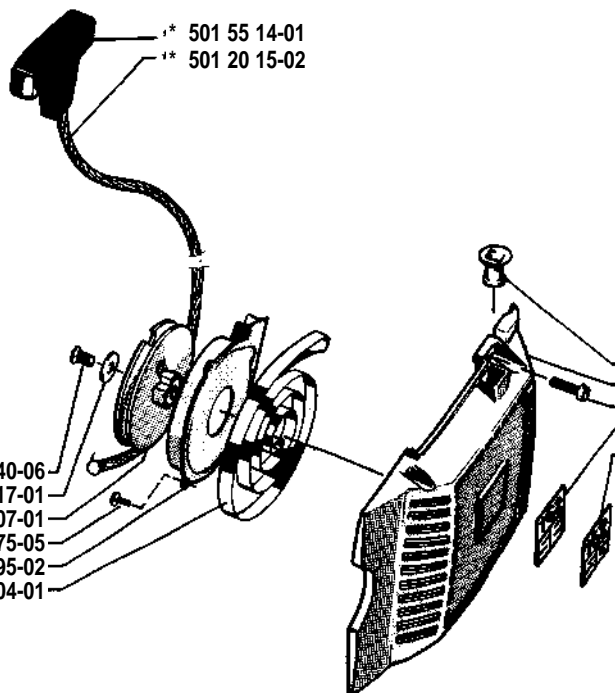
K

* compl 501 52 00-02

* 501 55 14-01
** 501 20 15-02

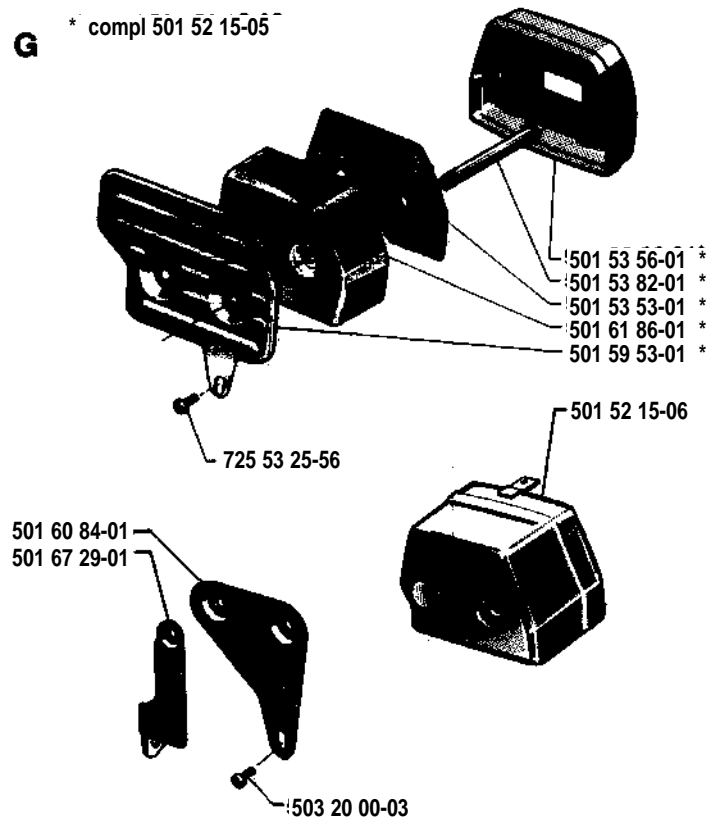
* 503 20 40-06
* 501 20 17-01
* 501 52 07-01
* 729 22 75-05
* 501 52 95-02
* 501 52 04-01

501 55 60-01 *
501 52 01-02 *
723 23 29-85 *
501 52 38-01 (SE)
501 52 39-01 (SG)

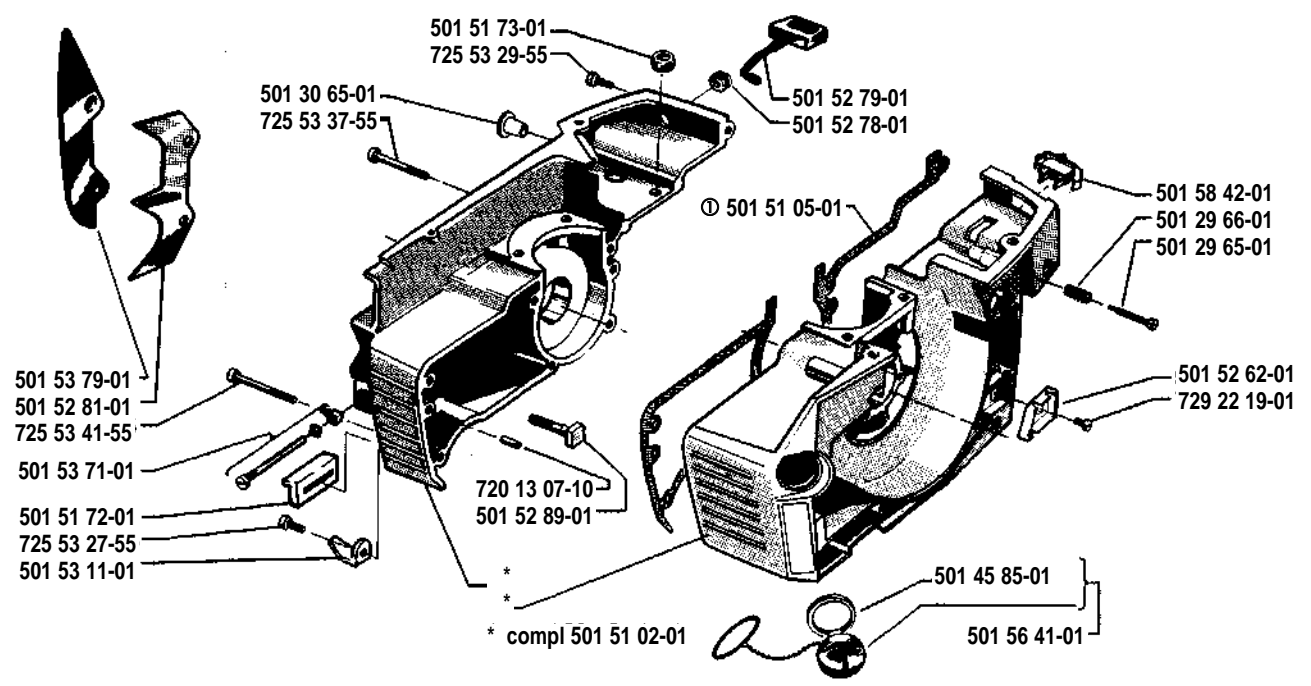


G

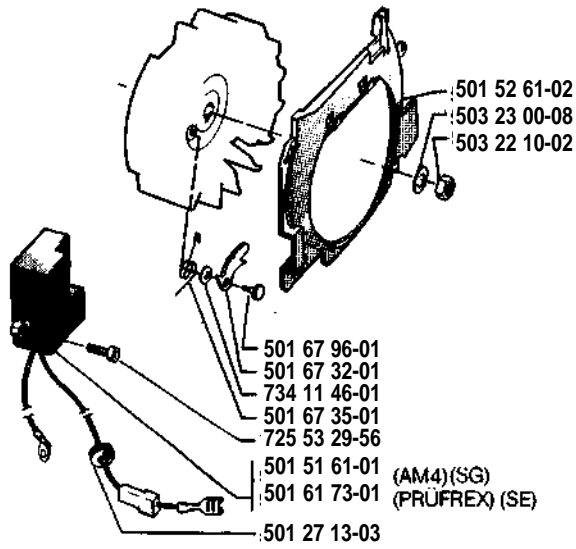
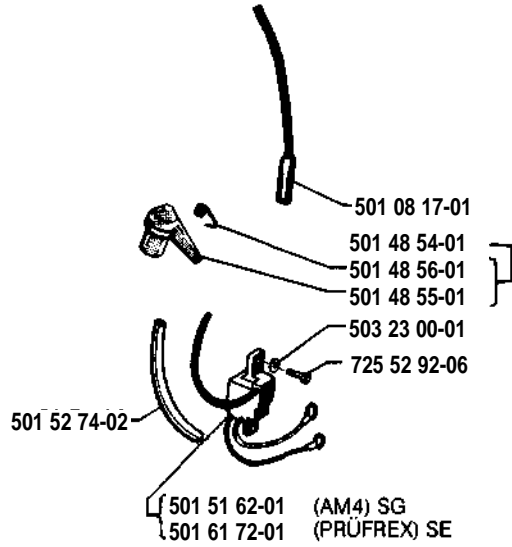
* compl 501 52 15-05



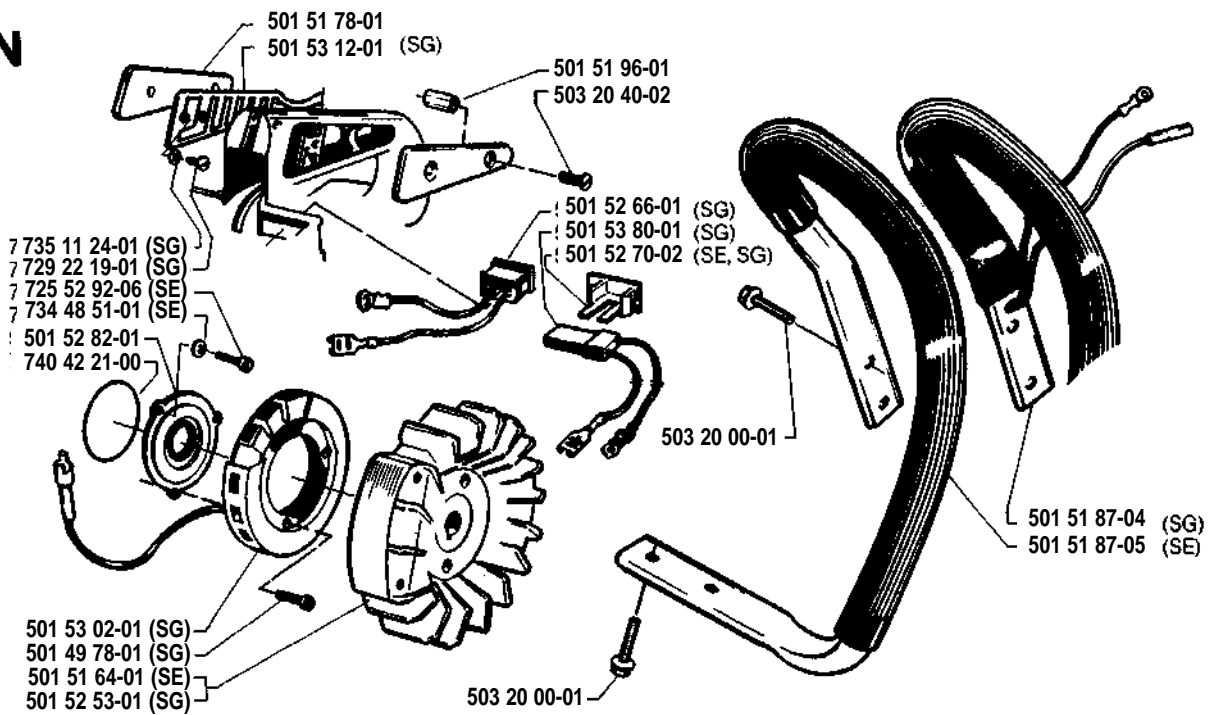
M



J



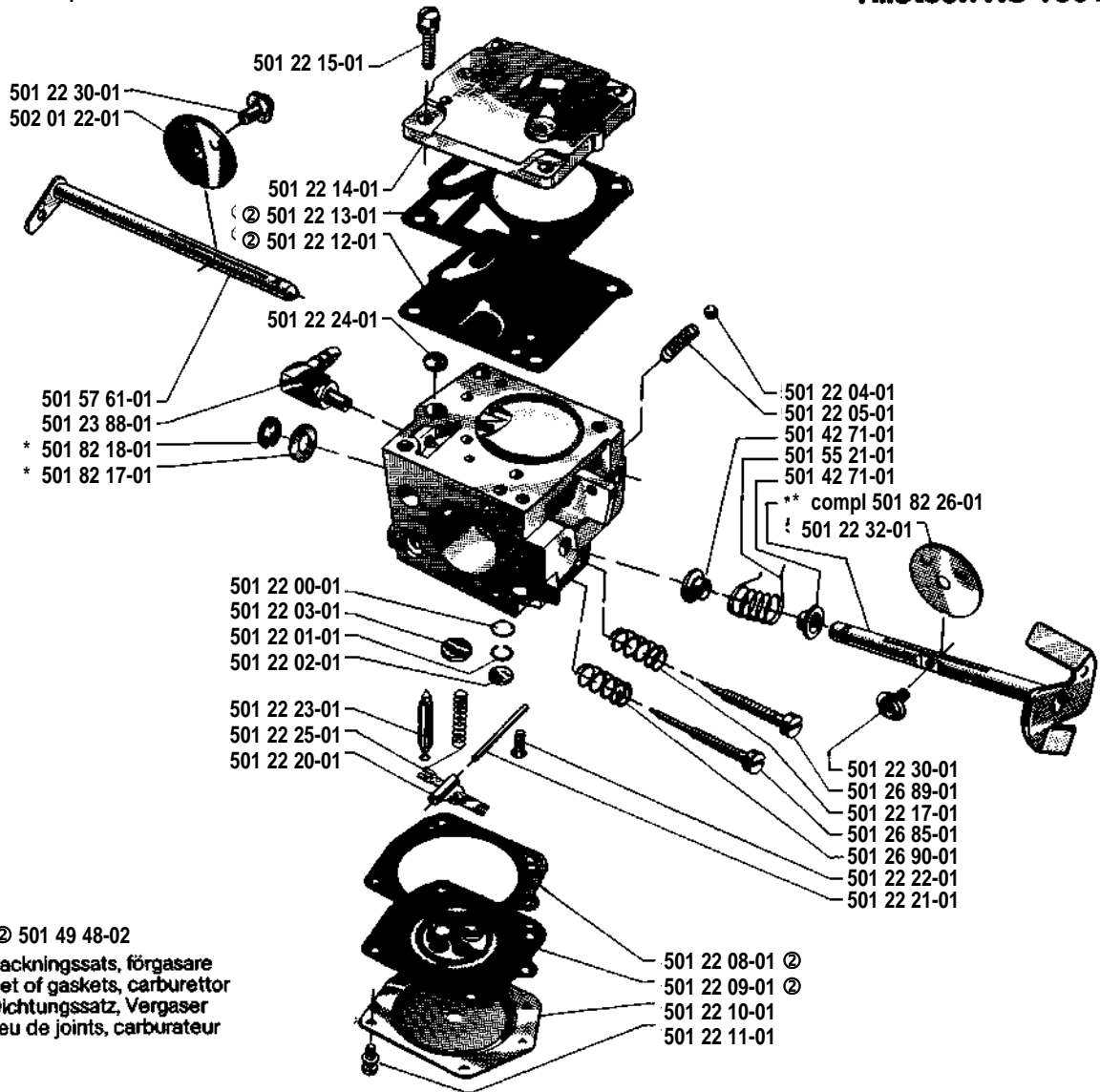
N



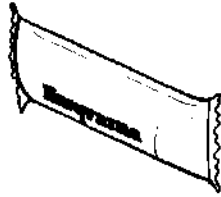


compl 501 52 77-01

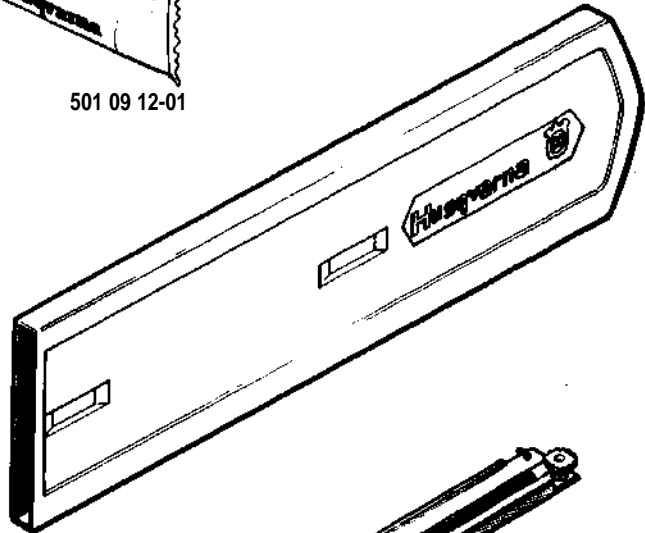
Tillotson HS 163 A



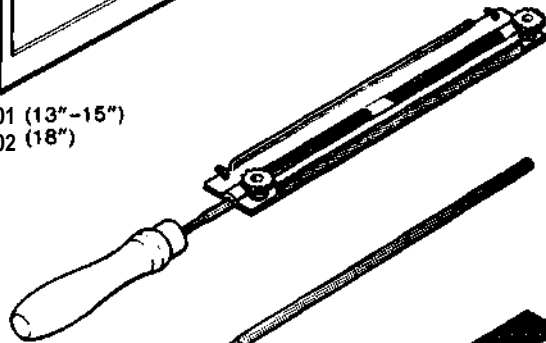
P



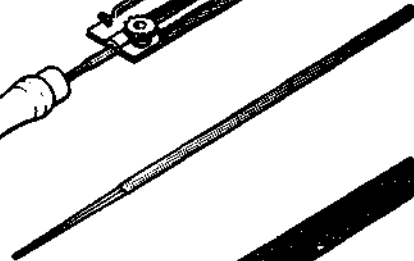
501 09 12-01



501 44 24-01 (13"-15")
501 44 24-02 (18")



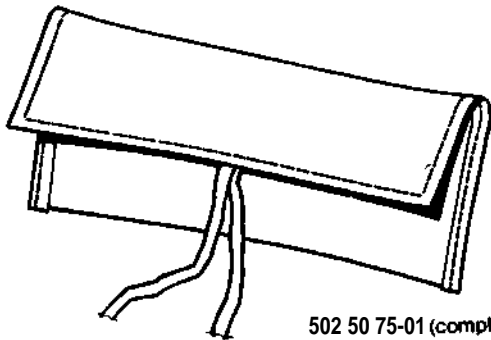
501 58 02-01



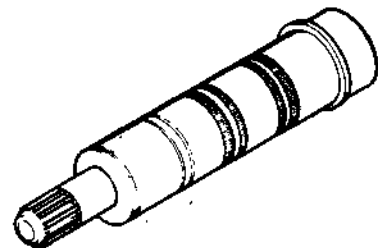
501 07 21-01 (7/32" x 8")



501 07 20-01 (6")



502 50 75-01 (compl.)



501 09 13-01

R

Nordfeller

