

# 142/ 142e

**Spare parts**

**Ersatzteile**

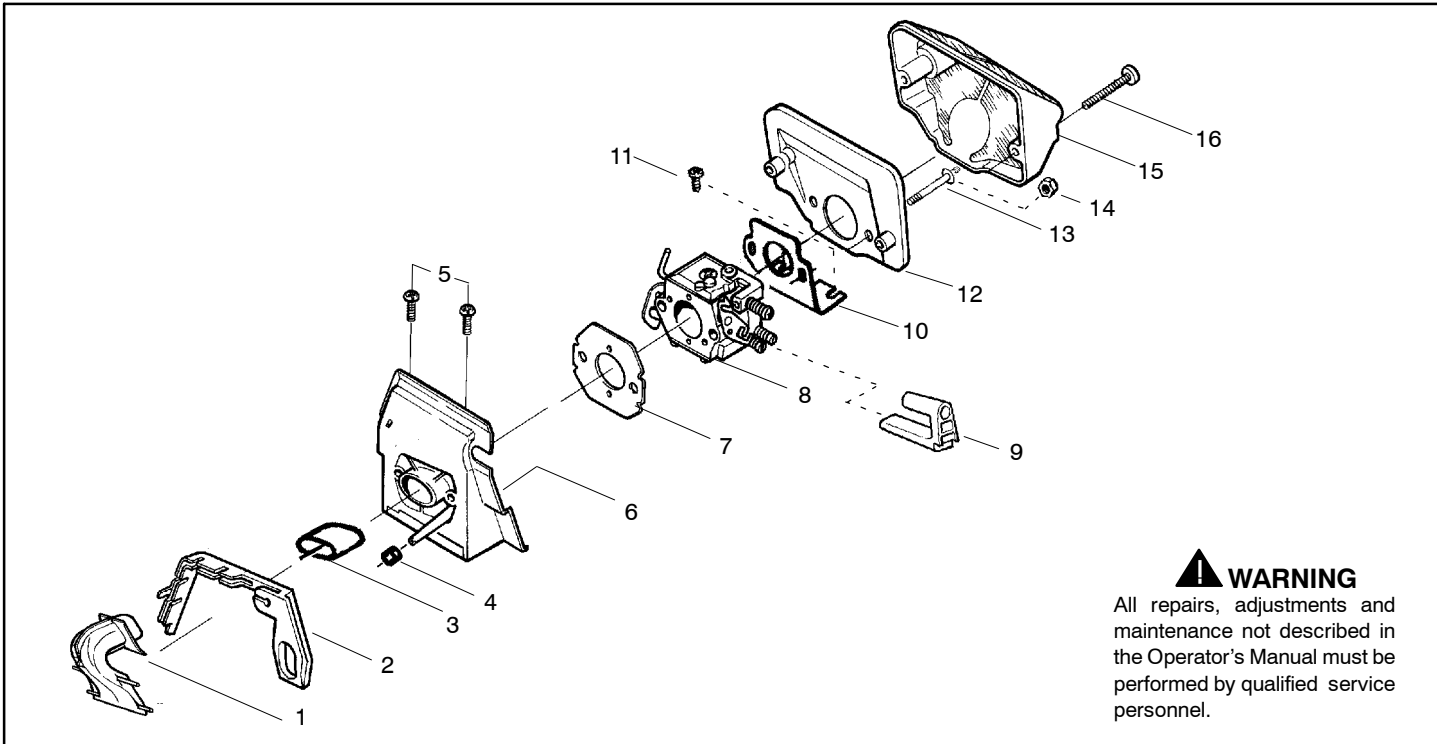
**Pièces détachées**

**Reserve onderdelen**

**Repuestos**

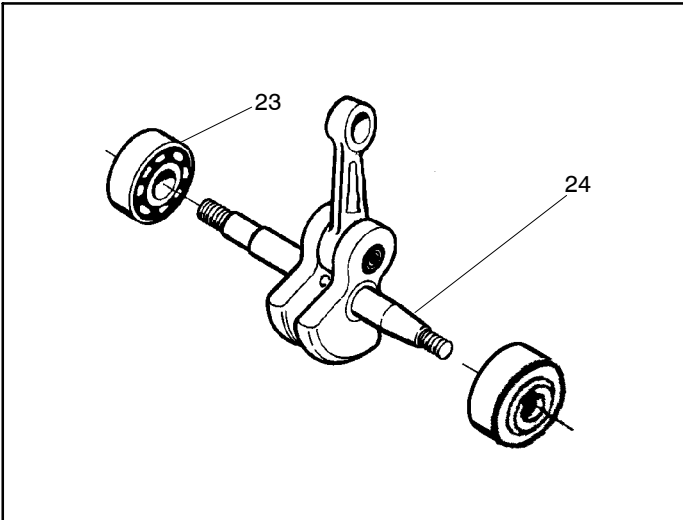
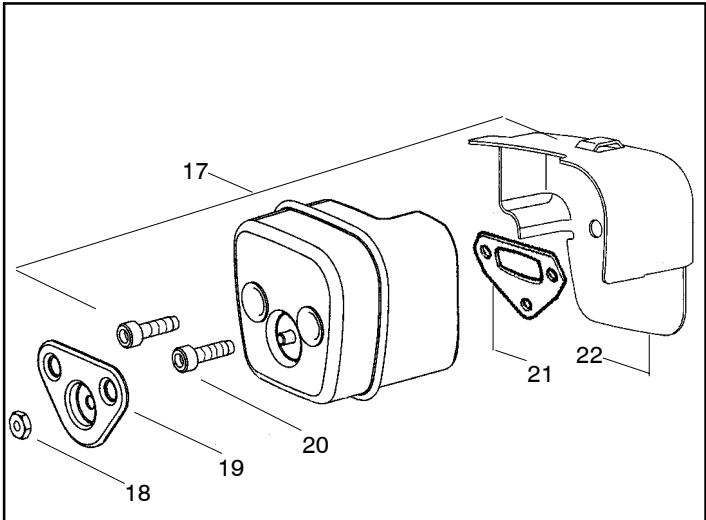
**Reservdelar**





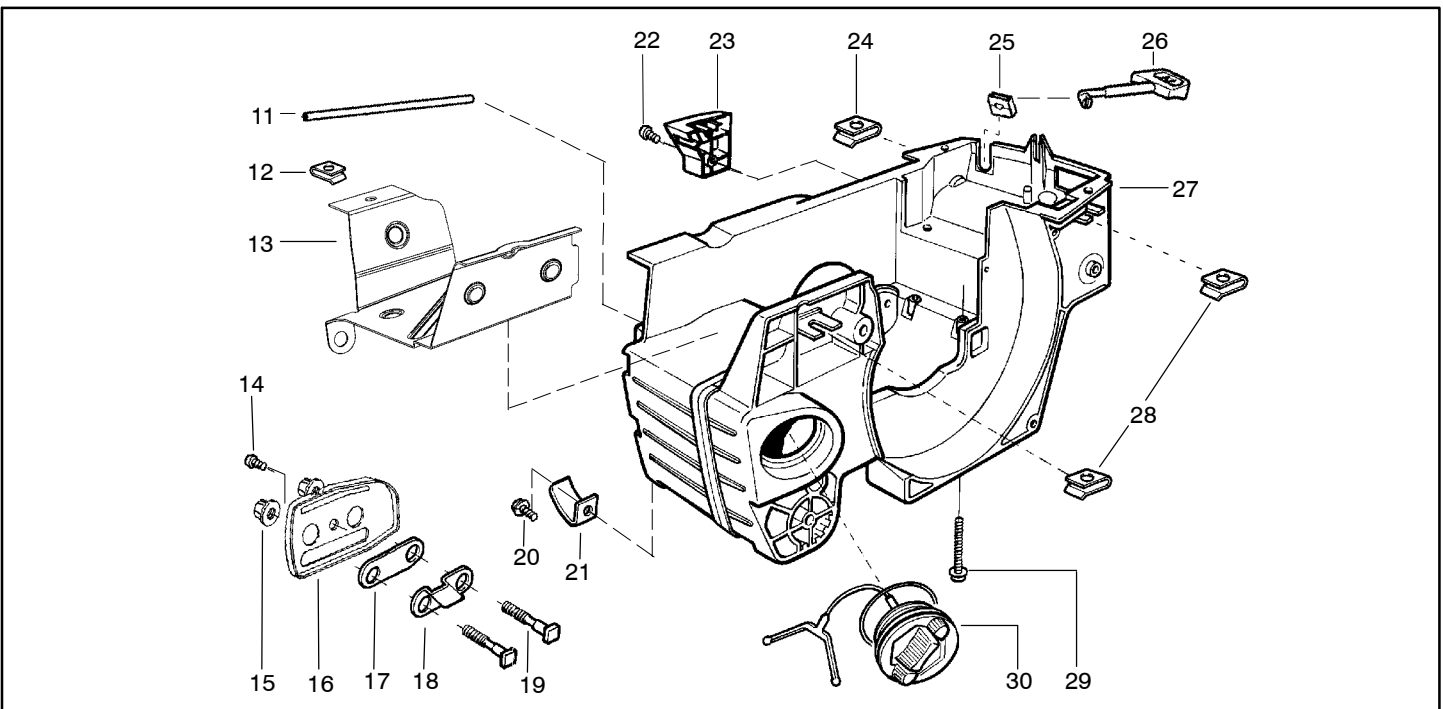
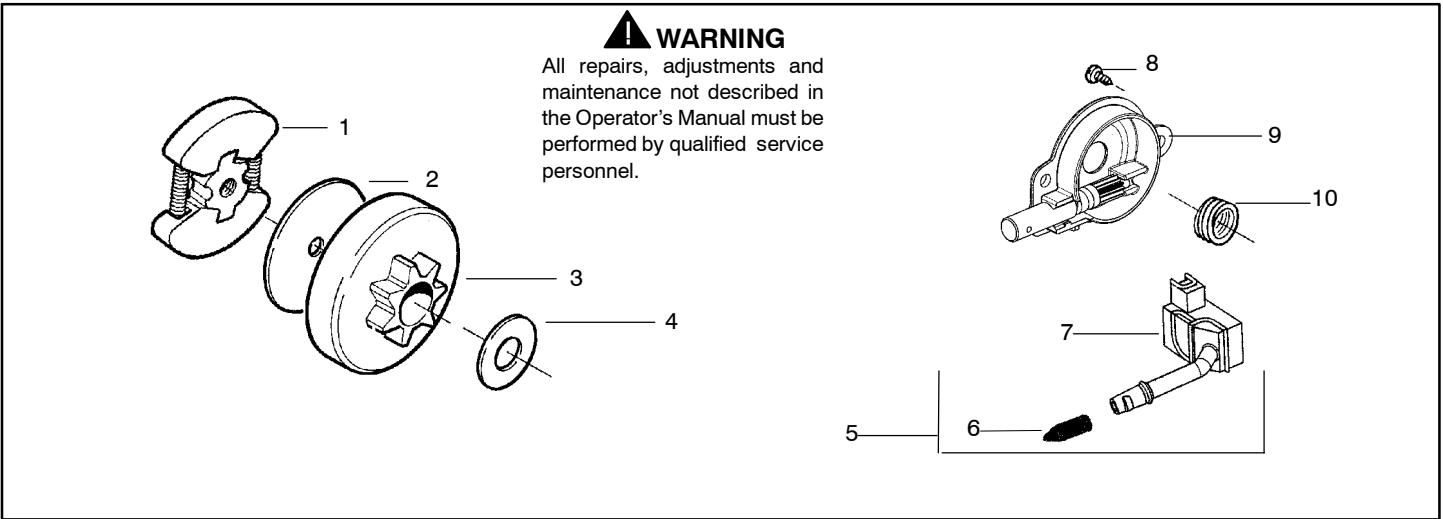
**⚠ WARNING**

All repairs, adjustments and maintenance not described in the Operator's Manual must be performed by qualified service personnel.



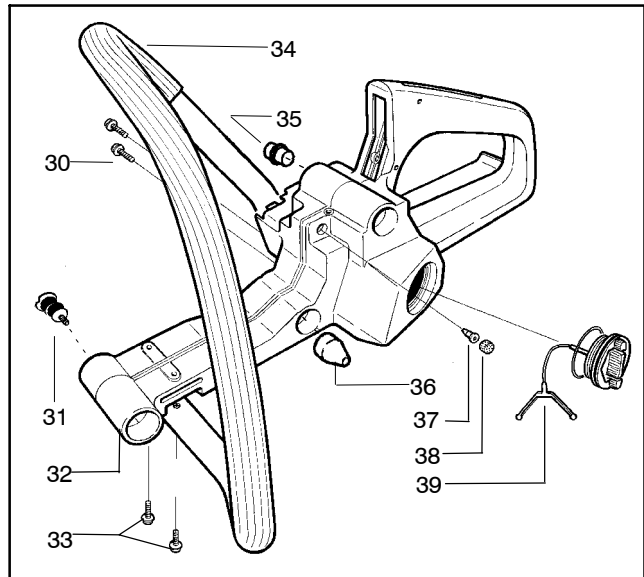
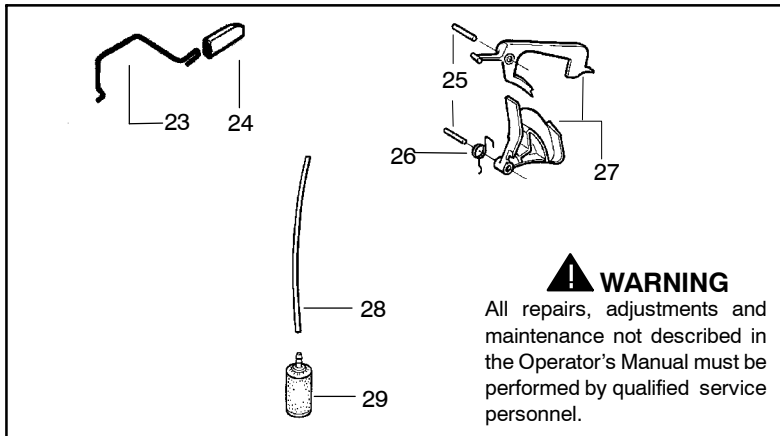
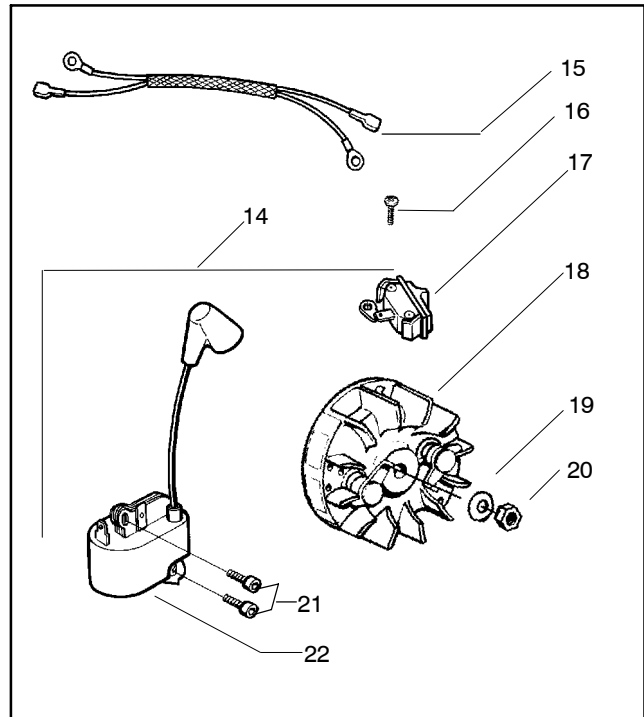
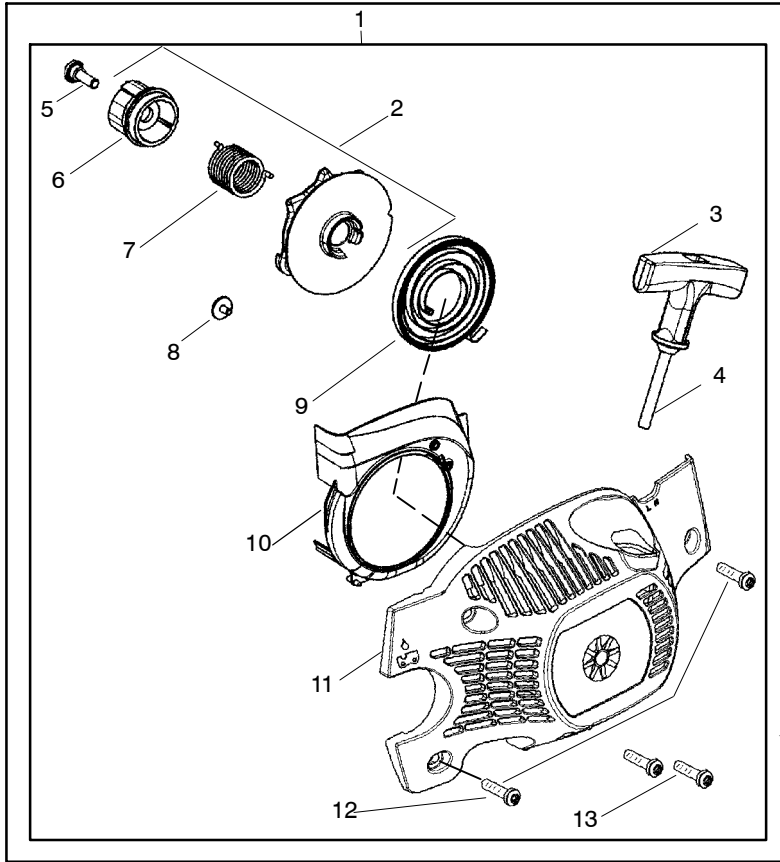
Ref.	Part No.	Description	Ref.	Part No.	Description
1	530029813	Assy-Turbo Air Cleaner	13	530015968	Stud - Carb.
2	530019203	Seal - Turbo Clean	14	530016008	Nut
3	530029814	Sleeve-Intake	15	530029811	Air-Filter - Top
4	530053435	Seal-Impulse	16	530015899	Screw
5	530015814	Screw	17	530071511	Kit-Muffler (Includes 20,21 & 22)
6	530037465	Adapter - Carb.	18	530016359	Nut-Brass
7	530019172	Gasket-Carburetor	19	530055600	Cover-Bolt
8	530071987	Carburetor-W-29	20	530016338	Bolt-Muffler
9	530035587	Grommet-Final	21	530055128	Gasket-Muffler
10	530047767	Plate - Support	22	530055171	Backplate-Muffler
11	530015896	Screw	23	530056363	Assy. -Bearing and Seal
12	530036582	Air Filter - Bottom	24	530029794	Assy-Crankshaft & Rod

✓ = NEW PART NUMBER FOR THIS IPL  
 ● = THESE PARTS ARE ILLUSTRATED FOR CLARITY. ORDER COMPLETE ASSEMBLY.



Ref.	Part No.	Description	Ref.	Part No.	Description
1	530014949	Assy-Clutch	16	530047855	Plate-Bar
2	530015611	Washer-Clutch	17	530019228	Gasket
3	530047061	Assy-Clutch Drum w/Bearing	18	530036043	Plate-Bar Stud
4	530015907	Washer-Thrust	19	530015877	Bar Bolt
5	530014776	Assy-Oil Pick-Up and Screen (Incl 6,7)	20	530015878	Screw
6	530056533	Filter-Oil	21	530029850	Chain Catcher
7	545037101	Assy-Pickup	22	530015893	Screw
8	530015896	Screw	23	530052428	Cover
9	530014410	Assy-Oil Pump	24	530015922	Nut-Type "U" Speed
10	530029833	Worm Gear-Oil Pump	25	530029830	Grommet
11	545033501	Tube-Oil Vent	26	530029831	Lever-Choke
12	530055322	Clip-Retainer	27	530071991	Kit - Chassis Ass'y.
13	530055174	Shield-Heat	28	530015922	Nut-Type "U" Speed
14	530015896	Screw (optional)	29	530016037	Screw
15	530015917	Nut	30	501765602	Assy.- Oil Tank Cap

✓ = NEW PART NUMBER FOR THIS IPL      \* = REFER TO THE SERVICE REFERENCE INDICATED FOR MORE INFORMATION. (LOCATED AT END OF IPL)  
 ● = THESE PARTS ARE ILLUSTRATED FOR CLARITY. ORDER COMPLETE ASSEMBLY.



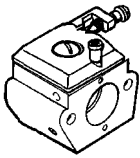
**⚠ WARNING**

All repairs, adjustments and maintenance not described in the Operator's Manual must be performed by qualified service personnel.

Ref.	Part No.	Description	Ref.	Part No.	Description	Ref.	Part No.	Description
1	530071968	Kit-Fan Hsg / Starter (Incl. 2, 3, 4, 5, 6, 7, 8, 9, 10, 11)	13	530015892	Screw	26	530029861	Spring
2	530071966	Kit-Starter EPS (Incl. 5,6,7,8)	14	530071967	Kit-EPS ignition (Incl. 17, 18, 22)	27	530069587	Kit - Throttle Trigger
3	530150318	Handle-Starter	15	530403257	Assy-Leadwire	28	530069247	Kit - Fuel line
4	530069232	Kit-Rope	16	530015896	Screw	29	530014497	Assy.- Fuel Pickup
5	530021179	Screw-shoulder	17	503717901	Switch-Ignition	30	530015940	Screw
6	530059677	Hub	18	530059637	Assy. -Flywheel	31	530029870	Element - AV Isolator
7	530021180	Spring-EPS	19	530015127	Washer-Flywheel	32	530055613	Assy. -Tank/Handle
8	530016080	Screw	20	530016134	Nut	33	530015843	Screw
9	530042095	Spring-Starter	21	545003902	Screw	34	530059961	Handle-Front
10	530059959	Baffle-Air	22	530039239	Module - Ignition	35	530052439	Isolator-Front Handle
11	530059958	Assy-Fan Hsg. w/eyelet	23	530029869	Wire - Throttle	36	530029984	Isolator
12	530015893	Screw	24	530029863	Cap - Wire	37	530026119	Valve - Check
			25	530029860	Pin	38	530038264	Plug - Vent
						39	530071266	Kit-Assy. Fuel Cap

✓ = NEW PART NUMBER FOR THIS IPL      ★ = REFER TO THE SERVICE REFERENCE INDICATED FOR MORE INFORMATION. (LOCATED AT END OF IPL)  
 ● = THESE PARTS ARE ILLUSTRATED FOR CLARITY. ORDER COMPLETE ASSEMBLY.

**Kit - Carburetor Assembly No. 530071987 - Zama W-29**



Carb  
Repair  
Kit

|  
1

Ref.	Part No.	Description
1.	530035269	Kit-Carburetor Repair (Zama)

**⚠ WARNING**

All repairs, adjustments and maintenance not described in the Operator's Manual must be performed by qualified service personnel.

✓ = NEW PART NUMBER FOR THIS IPL      ★ = REFER TO THE SERVICE REFERENCE INDICATED FOR MORE INFORMATION. (LOCATED AT END OF IPL)  
● = THESE PARTS ARE ILLUSTRATED FOR CLARITY. ORDER COMPLETE ASSEMBLY.