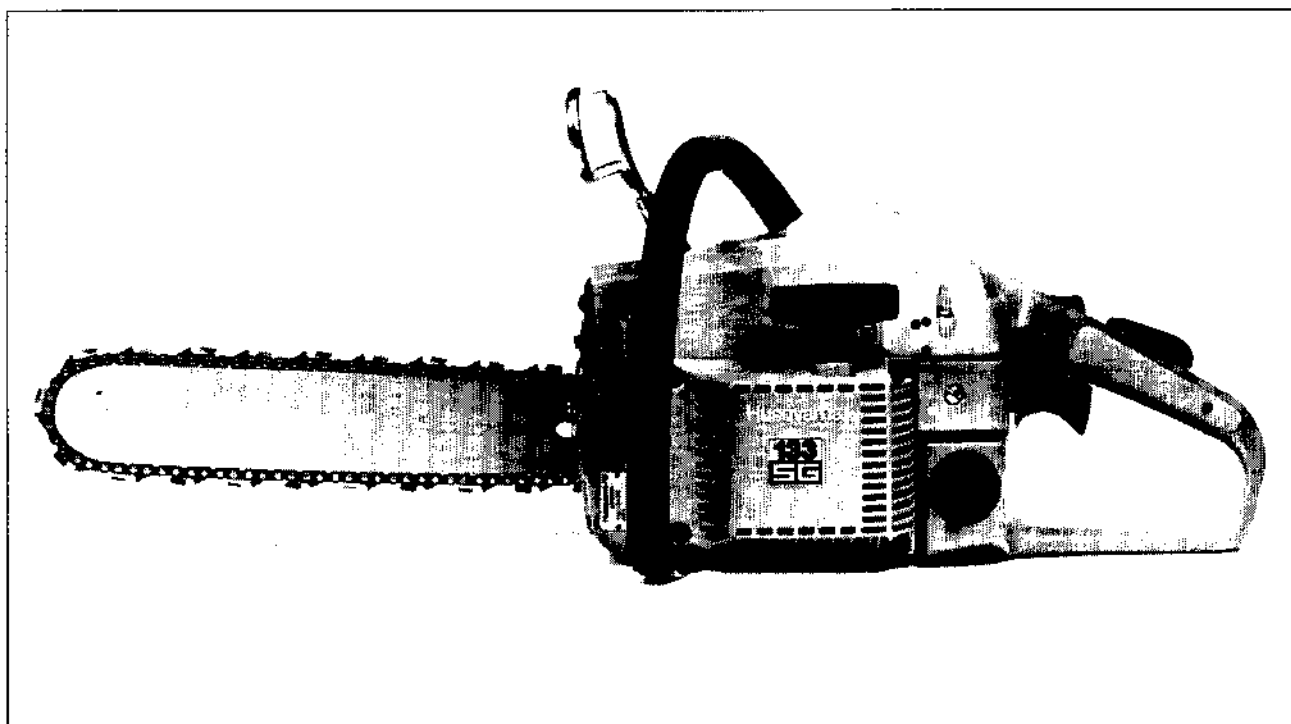


133



1. 1982

Reservdelar

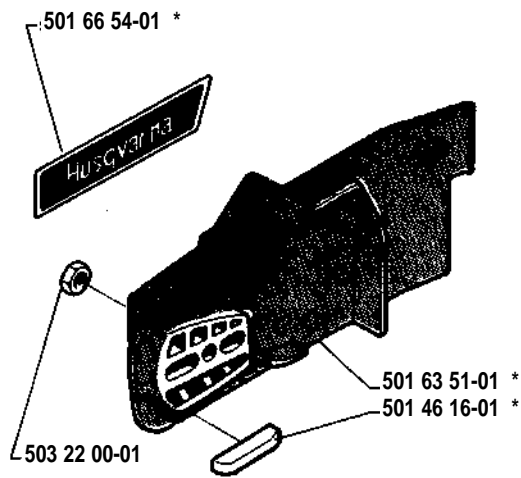
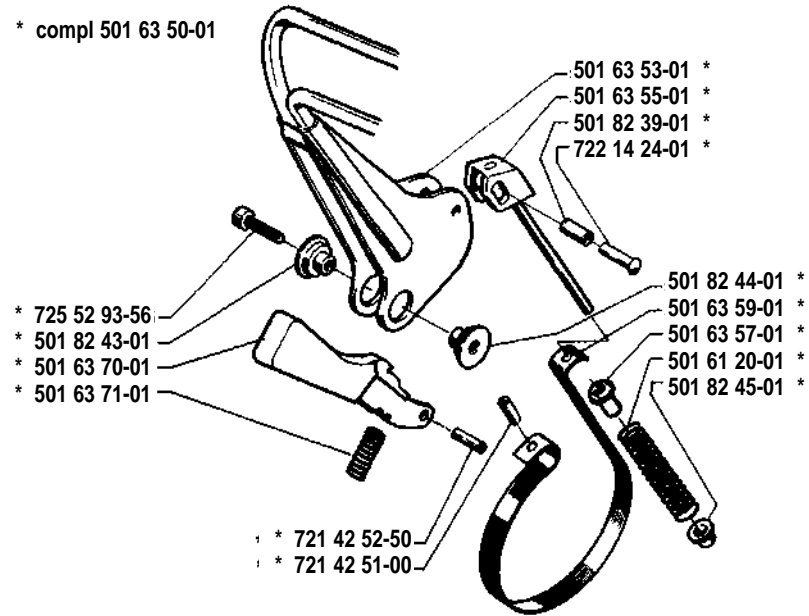
Spare parts

Ersatzteile

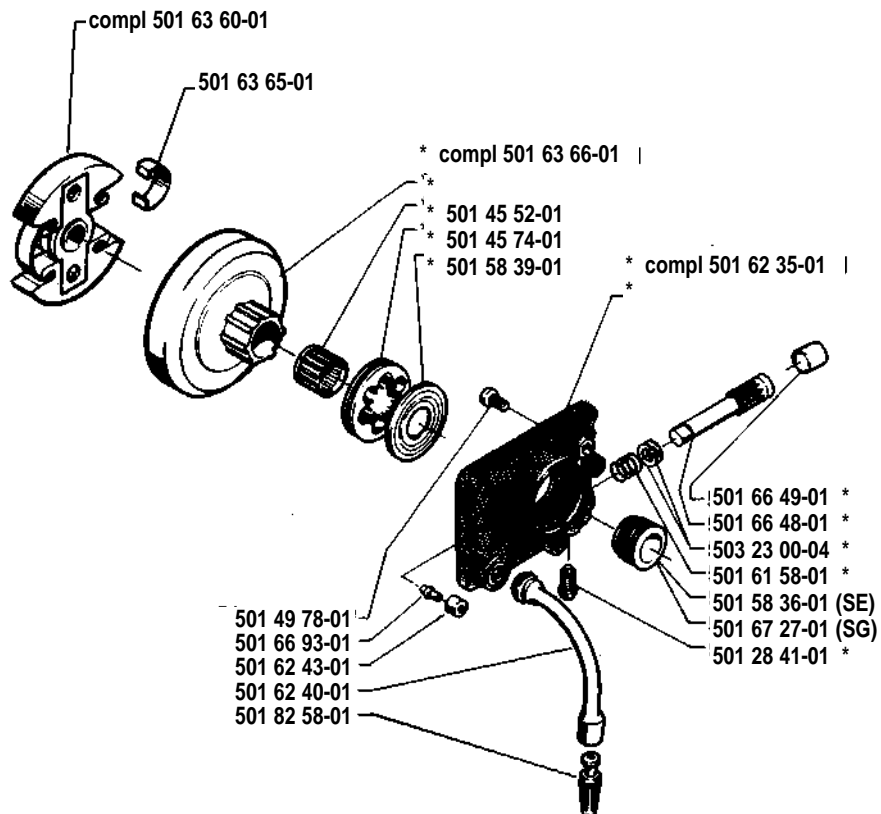
Pièces de rechange

| Beställn.-nummer Part number Best. Nr No de commande Varaosä n:ro | Ruta Box Viereck Carreau Index | Anm. Remarks Anm. Notes Huom | Beställn.-nummer Part number Best. Nr No de commande Varaosä n:ro | Ruta Box Viereck Carreau Index | Anm. Remarks Anm. Notes Huom | Beställn.-nummer Part number Best. nr No de commande Varaosä n:ro | Ruta Box Viereck Carreau Index | Anm. Remarks Anm. Notes Huom |
|---|--|--|---|--|--|---|--|--|
| 501 21 66-07 | C | | 501 62 66-01 | J | | 501 66 72-01 | M | |
| 501 21 68-01 | K | | 501 62 68-01 | J | | 501 66 73-01 | M | |
| 501 23 94-01 | B | | 501 62 75-01 | E | | 501 66 75-01 | M | |
| 501 27 37-01 | B | | 501 62 77-01 | E | | 501 66 76-01 | M | |
| 501 27 62-01 | D | | 501 62 78-01 | E | | 501 66 77-01 | M | |
| 501 27 82-01 | E | | 501 62 79-01 | E | | 501 66 78-01 | M | |
| 501 28 41-01 | H | | 501 62 81-01 | J | | 501 66 79-01 | M | |
| 501 43 14-01 | E | | 501 62 84-01 | D | | 501 66 80-01 | M | |
| 501 45 24-01 | C | | 501 62 86-01 | D | | 501 66 82-01 | M | |
| 501 45 27-01 | J | | 501 62 87-01 | E | | 501 66 83-01 | M | |
| 501 45 41-01 | J | | 501 62 89-01 | E | | 501 68 84-01 | M | |
| 501 45 43-01 | J | | 501 62 90-01 | K | | 501 68 86-01 | M | |
| 501 45 52-01 | H | | 501 62 90-02 | K | | 501 68 90-01 | D | |
| 501 45 66-01 | D | | 501 62 92-01 | E | | 501 68 91-01 | D | |
| 501 45 74-01 | H | | 501 62 93-01 | K | | 501 68 92-01 | E | |
| 501 46 09-03 | L | | 501 62 95-01 | J | | 501 68 93-01 | H | |
| 501 46 16-01 | A, J | | 501 62 96-01 | E | | 501 68 94-01 | E | |
| 501 46 44-01 | C | | 501 63 00-01 | L | | 501 68 97-01 | E | |
| 501 46 69-01 | M | | 501 63 01-01 | L | | 501 67 27-01 | H | |
| 501 46 78-01 | M | | 501 63 02-01 | L | | 501 67 32-01 | K | |
| 501 46 84-01 | M | | 501 63 03-01 | L | | 501 67 33-02 | N | |
| 501 46 85-01 | M | | 501 63 05-01 | L | | 501 67 96-01 | K | |
| 501 46 86-01 | M | | 501 63 06-01 | L | | 501 82 25-01 | M | |
| 501 46 87-01 | M | | 501 63 07-01 | L | | 501 82 39-01 | A | |
| 501 46 88-01 | M | | 501 63 08-01 | L | | 501 82 43-01 | A | |
| 501 46 96-01 | M | | 501 63 15-01 | J | | 501 82 44-01 | A | |
| 501 48 97-01 | M | | 501 63 20-01 | E | | 501 82 45-01 | A | |
| 501 48 54-01 | K | | 501 63 22-01 | E | | 501 82 58-01 | H | |
| 501 48 55-01 | K | | 501 63 24-01 | K | | 503 20 00-02 | F | |
| 501 48 56-01 | K | | 501 63 26-01 | K | | 503 20 21-05 | D | |
| 501 49 24-03 | K | | 501 63 29-01 | K | | 503 20 80-07 | F | |
| 501 49 27-01 | K | | 501 63 32-01 | K | | 503 20 84-01 | D | |
| 501 49 75-01 | K | | 501 63 33-01 | K | | 503 22 00-01 | A | |
| 501 49 78-01 | H | | 501 63 37-01 | K | | 503 22 20-01 | F | |
| 501 54 63-01 | J | | 501 63 38-01 | K | | 503 23 00-01 | K | |
| 501 55 10-01 | J | | 501 63 39-01 | J | | 503 23 00-04 | H | |
| 501 55 14-01 | L | | 501 63 40-01 | B | | 503 23 00-11 | L | |
| 501 56 05-01 | J | | 501 63 44-01 | K | | 503 26 02-01 | J | |
| 501 58 36-01 | H | | 501 63 48-01 | K | | 505 31 67-17 | M | |
| 501 58 39-01 | H | | 501 63 50-01 | A | | 505 52 01-25 | M | |
| 501 59 40-01 | G | | 501 63 51-01 | A | | 720 13 07-10 | J | |
| 501 61 20-01 | A | | 501 63 53-01 | A | | 721 42 12-25 | E | |
| 501 61 49-01 | G | | 501 63 55-01 | A | | 721 42 51-00 | A | |
| 501 61 58-01 | H | | 501 63 57-01 | A | | 721 42 55-50 | A | |
| 501 62 05-60 | J | | 501 63 59-01 | A | | 721 43 07-25 | E | |
| 501 62 08-01 | J | | 501 63 60-01 | H | | 722 14 24-01 | A | |
| 501 62 13-02 | C | | 501 63 65-01 | H | | 723 23 28-85 | L | |
| 501 62 19-01 | C | | 501 63 66-01 | H | | 723 52 24-01 | E | |
| 501 62 20-01 | D | | 501 63 70-01 | A | | 723 52 87-01 | J | |
| 501 62 21-01 | D | | 501 63 71-01 | A | | 725 52 91-55 | K | |
| 501 62 22-01 | D | | 501 63 86-01 | F | | 725 52 93-56 | A | |
| 501 62 26-01 | D | | 501 63 89-01 | F | | 725 53 23-05 | E | |
| 501 62 31-01 | D, M | | 501 66 48-01 | H | | 725 53 25-56 | L | |
| 501 62 32-01 | D | | 501 66 49-01 | H | | 725 53 29-55 | J, K | |
| 501 62 33-01 | J | | 501 66 54-01 | A | | 725 53 31-55 | C, J | |
| 501 62 35-01 | H | | 501 66 61-01 | M | | 725 53 33-55 | J | |
| 501 62 40-01 | H | | 501 66 62-01 | M | | 725 53 37-55 | J | |
| 501 62 43-01 | H | | 501 66 63-01 | M | | 725 53 39-55 | J | |
| 501 62 44-01 | J | | 501 66 64-01 | M | | 729 22 21-01 | K | |
| 501 62 47-01 | G | | 501 66 65-01 | M | | 729 22 23-01 | L | |
| 501 62 53-02 | C | | 501 66 66-01 | M | | 729 24 51-01 | K | |
| 501 62 53-03 | C | | 501 66 67-01 | M | | 731 23 18-01 | K | |
| 501 62 53-04 | C | | 501 66 68-01 | M | | 735 21 46-50 | K | |
| 501 62 56-01 | C, G | | 501 66 69-01 | M | | 735 88 04-00 | G | |
| 501 62 58-01 | C | | 501 66 70-01 | M | | 738 22 01-25 | G | |
| 501 62 60-01 | J | | 501 66 71-01 | M | | | | |

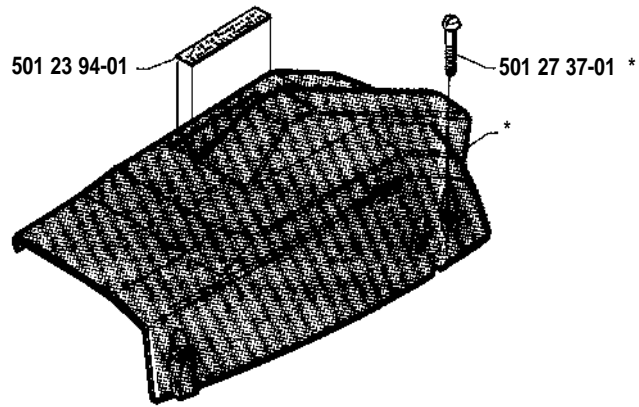
A * compl 501 63 50-01



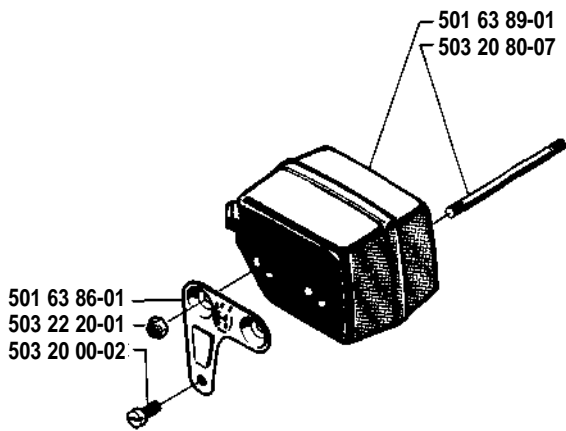
H



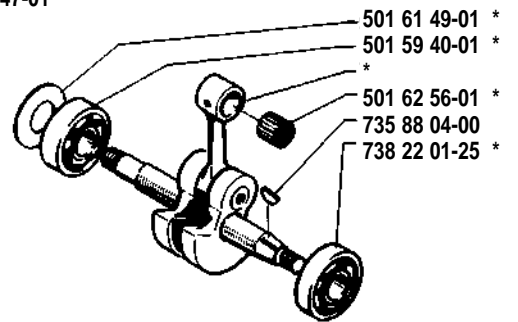
B * compl 501 63 47-01



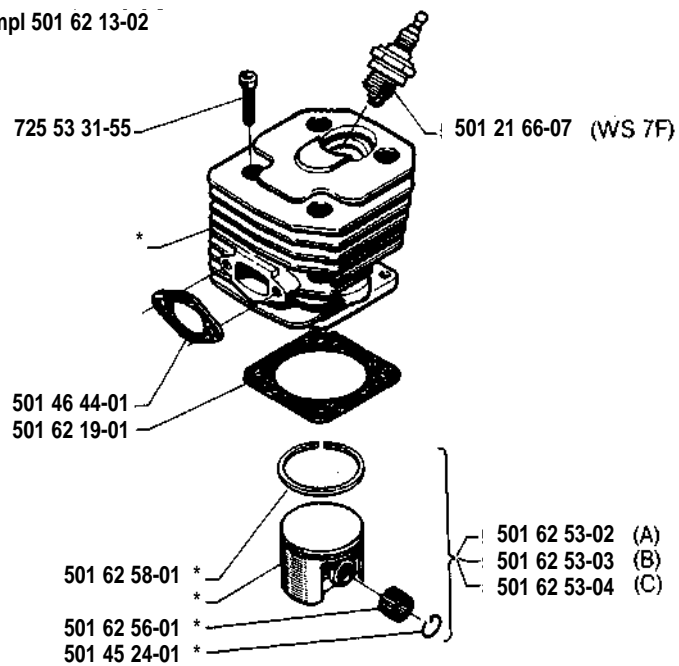
F



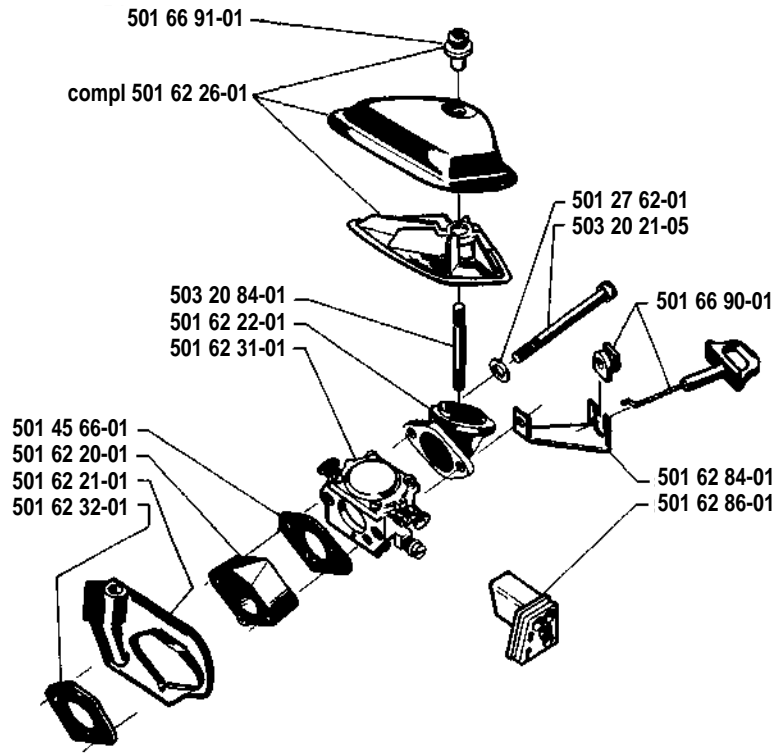
G * compl 501 62 47-01



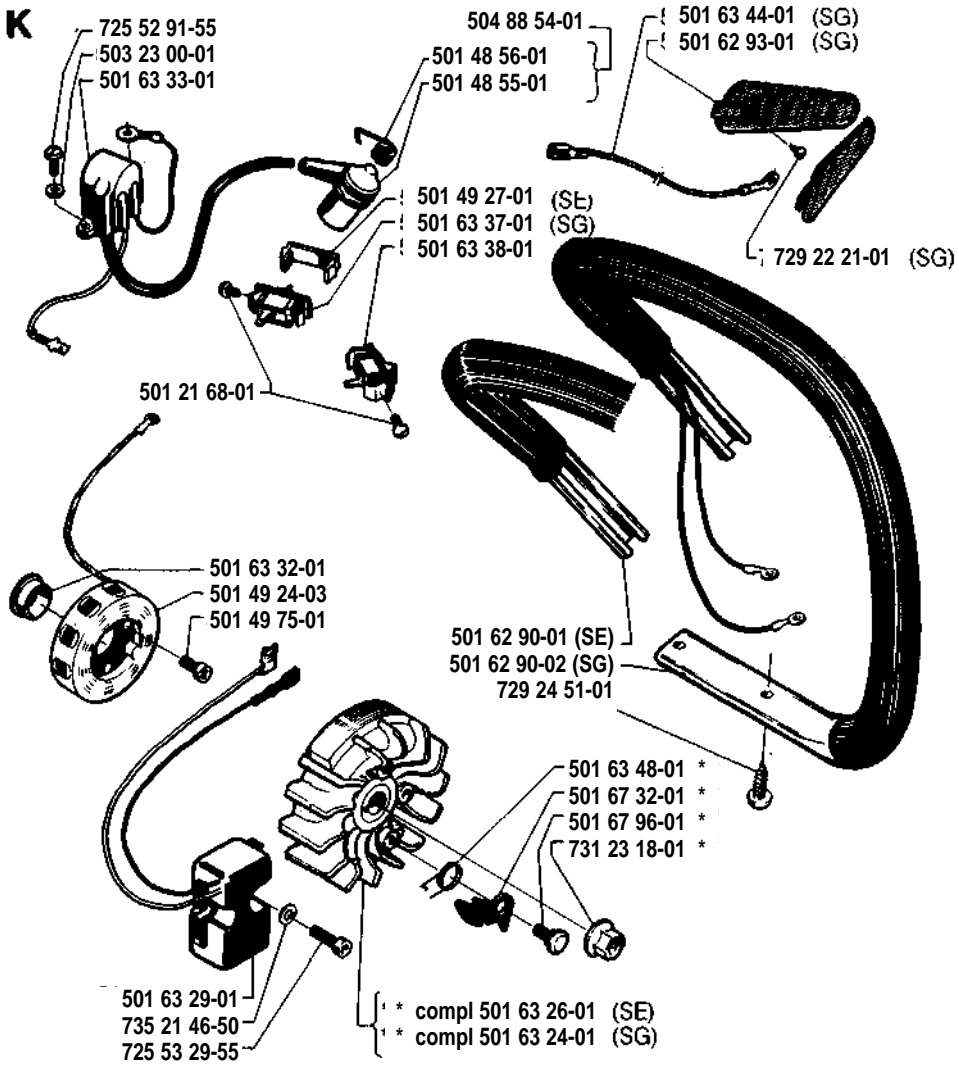
C * compl 501 62 13-02



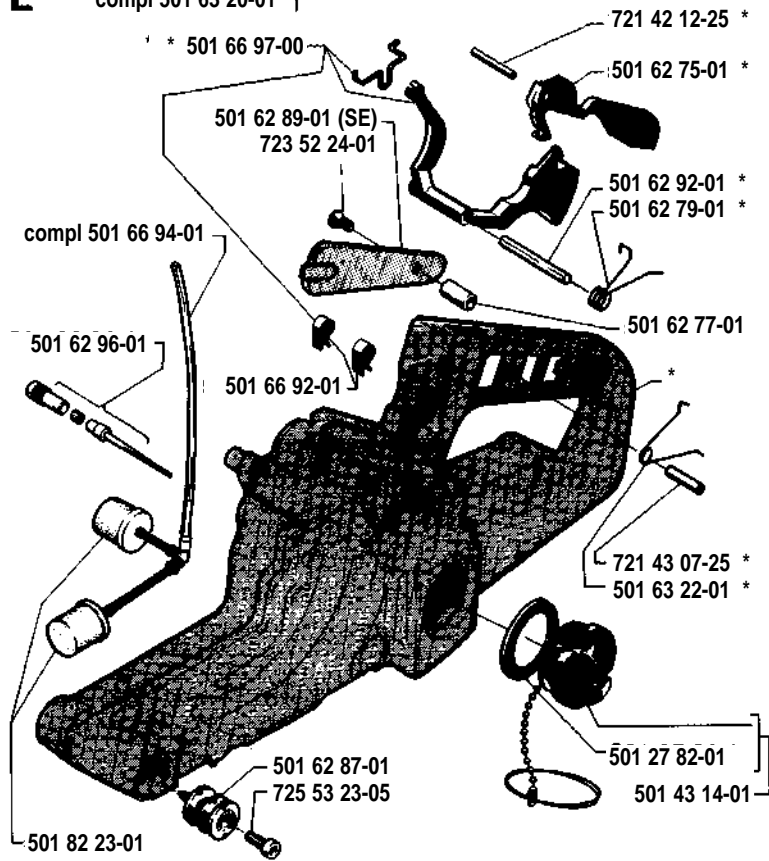
D



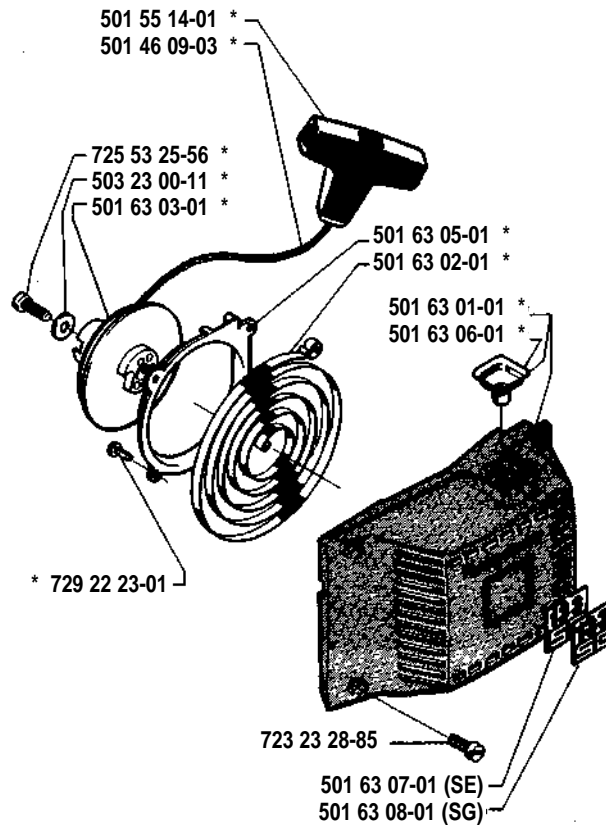
K



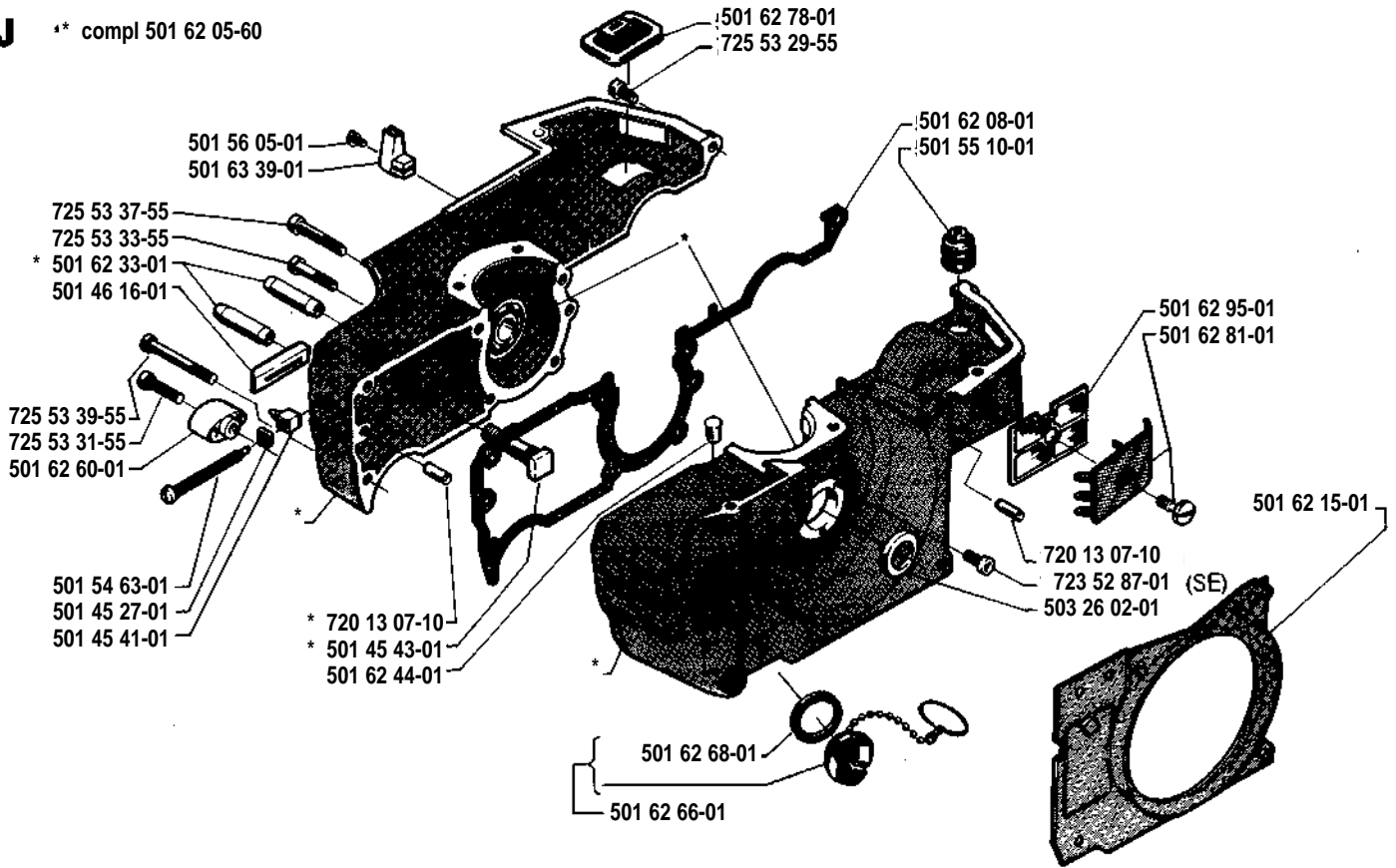
E * compl 501 63 20-01 |



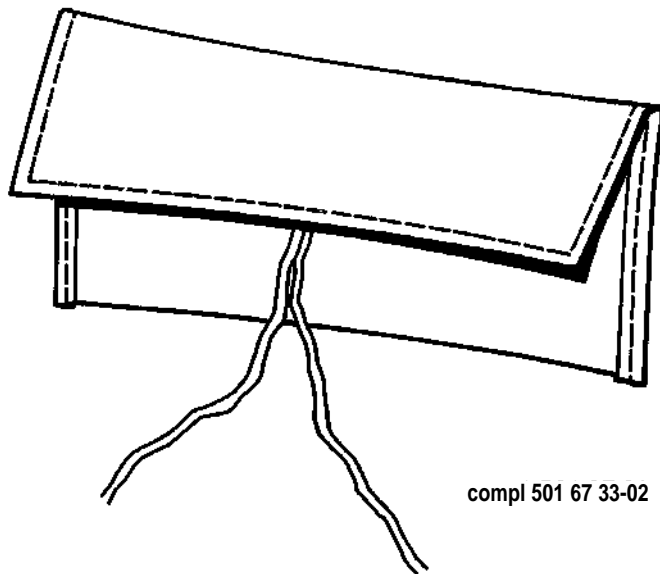
L * compl 501 63 00-01 |



J ** compl 501 62 05-60



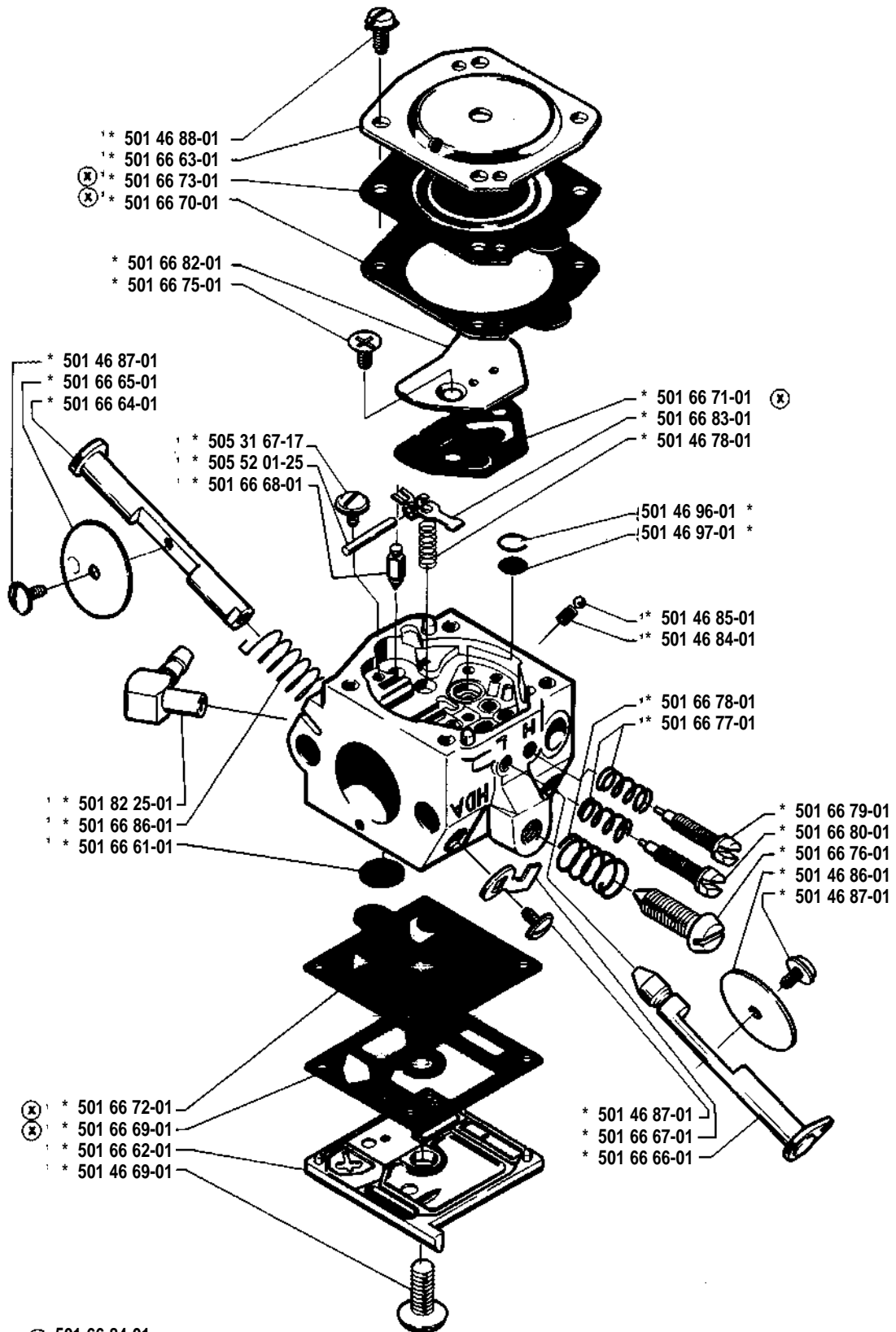
N
Tillbehör
Accessories
Zubehöre
Accessoires



compl 501 67 33-02

M * compl 501 62 31-01

Walbro HDA



(X) * 501 66 84-01
Packingsatz
Set of gaskets
Dichtungssatz
Jeu de joints